



Distributor of Texas Instruments: Excellent Integrated System Limited

Datasheet of LM2402T - IC DRIVER MONOLITHIC TO-220-11

Contact us: sales@integrated-circuit.com Website: www.integrated-circuit.com

Excellent Integrated System Limited

Stocking Distributor

Click to view price, real time Inventory, Delivery & Lifecycle Information:

[Texas Instruments](#)
[LM2402T](#)

For any questions, you can email us directly:

sales@integrated-circuit.com

LM2402 Monolithic Triple 3 nS CRT Driver

Check for Samples: [LM2402](#)

FEATURES

- Rise/Fall Times Typically 3.0/2.8 ns with 8 pF Load at 40 V_{PP}
- Well Matched with LM2202 Video Preamps
- Output Swing Capability: 50 V_{PP} for V_{CC} = 80V
- 1V to 5V Input Range
- Stable with 0-20 pF Capacitive Loads and Inductive Peaking Networks
- Convenient TO-220 Staggered Lead Package Style
- Standard LM240X Family Pinout, which is Designed for Easy PCB Layout

DESCRIPTION

The LM2402 is an integrated high voltage CRT driver circuit designed for use in high resolution color monitor applications. The IC contains three high input impedance, wide band amplifiers which directly drive the RGB cathodes of a CRT. Each channel has its gain internally set to -14 and can drive CRT capacitive loads as well as resistive loads presented by other applications, limited only by the package's power dissipation.

The IC is packaged in an industry standard 11 lead TO-220 molded plastic power package. See [Thermal Considerations](#).

APPLICATIONS

- CRT Driver for Color Monitors with Display Resolutions up to 1600 x 1200
- Pixel Clock Frequency up to 200 MHz

Schematic and Connection Diagrams

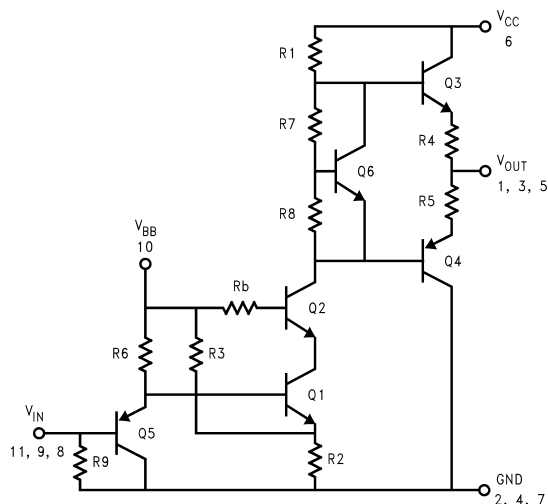


Figure 1. Simplified Schematic Diagram (One Channel)

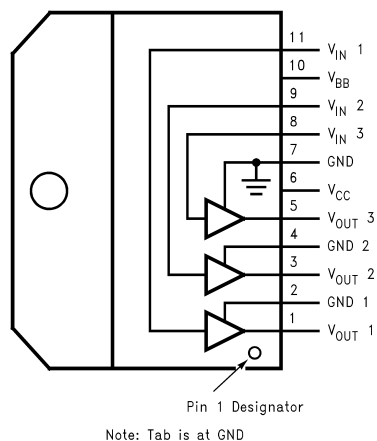


Figure 2. Top View



Please be aware that an important notice concerning availability, standard warranty, and use in critical applications of Texas Instruments semiconductor products and disclaimers thereto appears at the end of this data sheet.

All trademarks are the property of their respective owners.

LM2402

SNOS445B –AUGUST 1999–REVISED APRIL 2013

www.ti.com



These devices have limited built-in ESD protection. The leads should be shorted together or the device placed in conductive foam during storage or handling to prevent electrostatic damage to the MOS gates.

ABSOLUTE MAXIMUM RATINGS⁽¹⁾⁽²⁾⁽³⁾

Supply Voltage, V_{CC}		+90V
Bias Voltage, V_{BB}		+16V
Input Voltage, V_{IN}		-0.5V to $V_{BIAS} + 0.5V$
Storage Temperature Range, T_{STG}		-65°C to +150°C
Lead Temperature (Soldering, <10 sec.)		300°C
ESD Tolerance	Human Body Model	2 kV
	Machine Model	250V

- (1) Absolute Maximum Ratings are those values beyond which the safety of the device cannot be ensured. They are not meant to imply that the devices should be operated at these limits. The table of [ELECTRICAL CHARACTERISTICS](#) specifies conditions of device operation.
- (2) All voltages are measured with respect to GND, unless otherwise specified.
- (3) If Military/Aerospace specified devices are required, please contact the Texas Instruments Sales Office/Distributors for availability and specifications.

RECOMMENDED OPERATING CONDITIONS⁽¹⁾

V_{CC}	+60V to +85V
V_{BB}	+8V to +15V
V_{IN}	+1V to +5V
V_{OUT} ($V_{CC} = 80V, V_{BB} = 12V$)	+17V to +72V
Case Temperature (Do not operate the part without a heat sink)	-20°C to +100°C

- (1) Operating ratings indicate conditions for which the device is functional, but do not ensure specific performance limits. For ensured specifications and test conditions, see the [ELECTRICAL CHARACTERISTICS](#). The ensured specifications apply only for the test conditions listed. Some performance characteristics may change when the device is not operated under the listed test conditions.

ELECTRICAL CHARACTERISTICS

(See Figure 3 for Test Circuit)

Unless otherwise noted: $V_{CC} = +80V$, $V_{BB} = +12V$, $V_{IN} = +3.3 V_{DC}$, $C_L = 8 pF$, $T_C = 60^{\circ}C$.

Symbol	Parameter	Conditions	LM2402			Units
			Min	Typ	Max	
I_{CC}	Supply Current	Per Channel, No Output Load	22	27	32	mA
I_{BB}	Bias Current	All Three Channels	40	50	60	mA
V_{OUT}	DC Output Voltage	$V_{IN} = 1.9V$	62	65	68	V_{DC}
A_V	DC Voltage Gain		-12	-14	-16	
ΔA_V	Gain Matching	See ⁽¹⁾		1.0		dB
LE	Linear Error	See ⁽¹⁾ (2)		3.5		%
t_r	Rise Time	10% to 90%, 40 V_{PP} Output (1 MHz)		3.0		ns
t_f	Fall Time	10% to 90%, 40 V_{PP} Output (1 MHz)		2.8		ns
OS	Overshoot	40 V_{PP} Output (1 MHz)		5		%

- (1) Calculated value from voltage gain test on each channel.
- (2) Linearity error is the variation in DC gain from $V_{IN} = 1.5V$ to $V_{IN} = 5V$.

AC Test Circuit

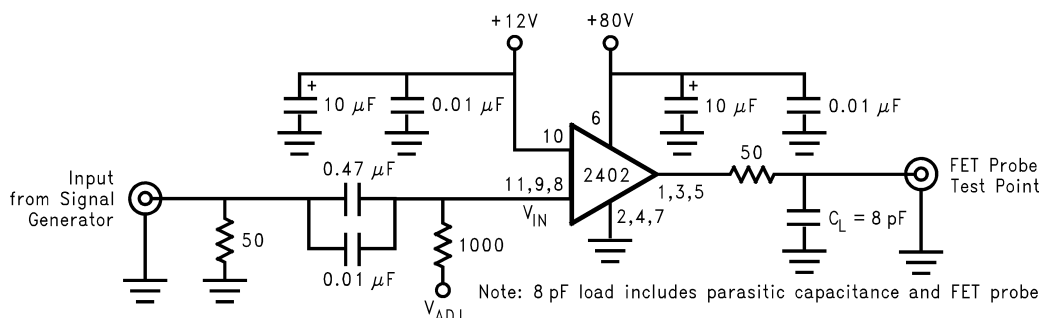


Figure 3. Test Circuit (One Channel)

Figure 3 shows a typical test circuit for evaluation of the LM2402. This circuit is designed for testing the LM2402 with a FET probe. When calculating the total load capacitance, the Tektronix P6201 FET probe with a 100:1 divider is specified to have 1.5 pF. The total board capacitance should be 6.5 pF.

LM2402

SNOS445B – AUGUST 1999 – REVISED APRIL 2013

www.ti.com

TYPICAL PERFORMANCE CHARACTERISTICS

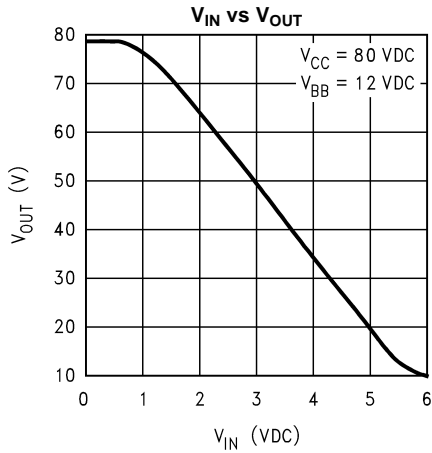


Figure 4.

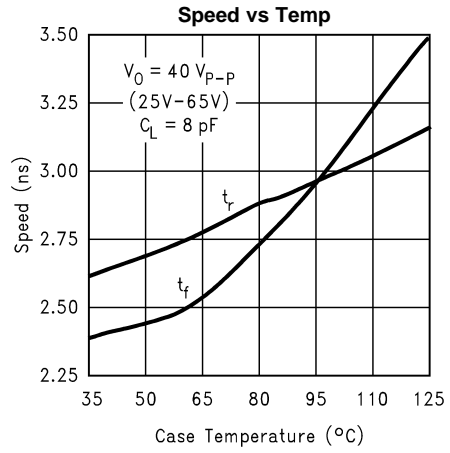


Figure 5.

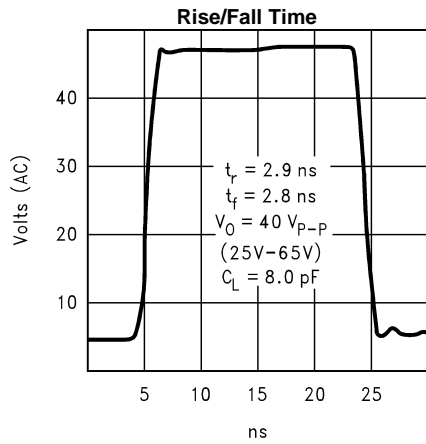


Figure 6.

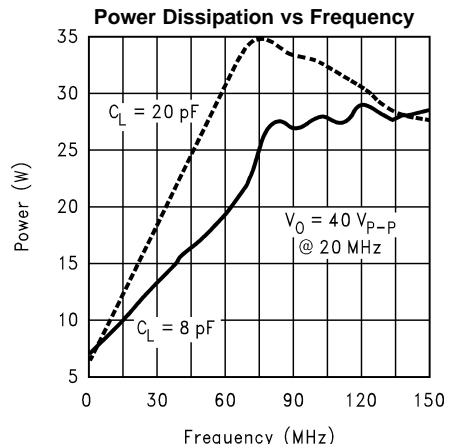


Figure 7.

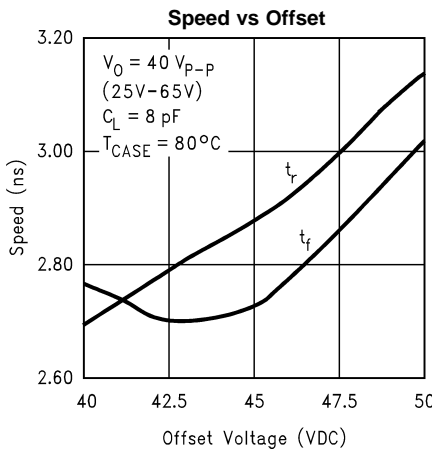


Figure 8.

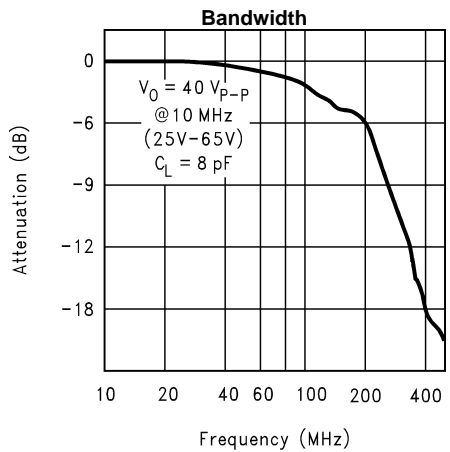


Figure 9.

THEORY OF OPERATION

The LM2402 is a high voltage monolithic three channel CRT driver suitable for very high resolution display applications, up to 1600 × 1200 at 85 Hz refresh rate. The LM2402 operates using 80V and 12V power supplies. The part is housed in the industry standard 11-lead TO-220 molded plastic power package.

The simplified circuit diagram of one channel of the LM2402 is shown in [Figure 1](#). A PNP emitter follower, Q5, provides input buffering. This minimizes the current loading of the video pre-amp. R9 is used to turn off Q5 when there is no input. This will drive the output stage to the V_{CC} rail, minimizing the power dissipation with no inputs. R6 is a pull-up resistor for Q5 and also limits the current flow through Q5. R3 and R2 are used to set the current flow through Q1 and Q2. The ratio of R1 to R2 is used to set the gain of the LM2402. R1, R2 and R3 are all related when calculating the output voltage of the CRT driver. R_b limits the current through the base of Q2. Q1 and Q2 are in a cascade configuration. Q1 is a low voltage and very fast transistor. Q2 is a higher voltage transistor. The cascade configuration gives the equivalent of a very fast and high voltage transistor. The two output transistors, Q3 and Q4, form a class B amplifier output stage. R4 and R5 are used to limit the current through the output stage and set the output impedance of the LM2402. Q6, along with R7 and R8 set the bias current through Q3 and Q4 when there is no change in the signal level. This bias current minimizes the crossover distortion of the output stage. With this bias current the output stage now becomes a class AB amplifier with a crossover distortion much lower than a class B amplifier.

[Figure 3](#) shows a typical test circuit for evaluation of the LM2402. Due to the very wide bandwidth of the LM2402, it is necessary to use a FET probe that is DC coupled to the output for evaluation of the CRT driver's performance. The 50Ω resistor is used to duplicate the required series resistor in the actual application. This resistor would be part of the arc-over protection circuit. The input signal from the generator is AC coupled to the input of the CRT driver.

APPLICATION HINTS

Introduction

TI is committed to providing application information that assists our customers in obtaining the best performance possible from our products. The following information is provided in order to support this commitment. The reader should be aware that the optimization of performance was done using a specific printed circuit board designed at TI. Variations in performance can be realized due to physical changes in the printed circuit board and the application. Therefore, the designer should know that component value changes may be required in order to optimize performance in a given application. The values shown in this document can be used as a starting point for evaluation purposes. When working with high bandwidth circuits, good layout practices are also critical to achieving maximum performance.

Power Supply Bypass

Since the LM2402 is a very high bandwidth amplifier, proper power supply bypassing is critical for optimum performance. Improper power supply bypassing can result in large overshoot, ringing and oscillation. A 0.1 μF capacitor should be connected from the supply pin, V_{CC} , to ground, as close to the supply and ground pins as is practical. Additionally, a 10 μF to 100 μF electrolytic capacitor should be connected from the supply pin to ground. The electrolytic capacitor should also be placed reasonably close to the LM2402's supply and ground pins. A 0.1 μF capacitor should be connected from the bias pin, V_{BB} , to ground, as close as is practical to the part.

Arc Protection

During normal CRT operation, internal arcing may occasionally occur. Spark gaps, in the range of 200V, connected from the CRT cathodes to CRT ground will limit the maximum voltage, but to a value that is much higher than allowable on the LM2402. This fast, high voltage, high energy pulse can damage the LM2402 output stage. The application circuit shown in [Figure 10](#) is designed to help clamp the voltage at the output of the LM2402 to a safe level. The clamp diodes should have a fast transient response, high peak current rating, low series impedance and low shunt capacitance. FDH400 or equivalent diodes are recommended. D1 and D2 should have short, low impedance connections to V_{CC} and ground respectively. The cathode of D1 should be located very close to a separately decoupled bypass capacitor. The ground connection of the diode and the decoupling capacitor should be very close to the LM2402 ground. This will significantly reduce the high frequency voltage transients that the LM2402 would be subjected to during an arc-over condition. Resistor R2 limits the arc-

LM2402

SNOS445B – AUGUST 1999 – REVISED APRIL 2013

www.ti.com

over current that is seen by the diodes while R1 limits the current into the LM2402 as well as the voltage stress at the outputs of the device. R2 should be a ½W solid carbon type resistor. R1 can be a ¼W metal or carbon film type resistor. Inductor L1 is critical to reduce the initial high frequency voltage levels that the LM2402 would be subjected to during an arc-over. Having large value resistors for R1 and R2 would be desirable, but this has the effect of increasing rise and fall times. The inductor will not only help protect the device but it will also help optimize rise and fall times as well as minimize EMI. For proper arc protection, it is important to not omit any of the arc protection components shown in Figure 10. The values of L1 and R1 may need to be adjusted for a particular application. The recommended minimum value for R1 is 43Ω, with L1 = .049 μH.

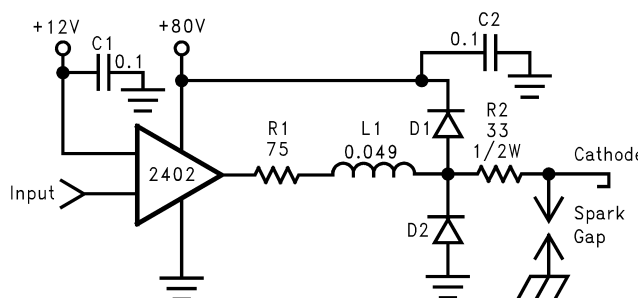


Figure 10. One Channel of the LM2402 with the Recommended Arc Protection Circuit

Optimizing Transient Response

Referring to Figure 10, there are three components (R1, R2 and L1) that can be adjusted to optimize the transient response of the application circuit. Increasing the values of R1 and R2 will slow the circuit down while decreasing overshoot. Increasing the value of L1 will speed up the circuit as well as increase overshoot. It is very important to use inductors with very high self-resonant frequencies, preferably above 300 MHz. Air core inductors from J.W. Miller Magnetics (part #75F518MPC) were used for optimizing the performance of the device in the TI application board. The values shown in Figure 10 can be used as a good starting point for the evaluation of the LM2402.

Effect of Load Capacitance

The output rise and fall times as well as overshoot will vary as the load capacitance varies. The values of the output circuit (R1, R2 and L1 in Figure 10) should be chosen based on the nominal load capacitance. Once this is done the performance of the design can be checked by varying the load based on what the expected variation will be during production.

Effect of Offset

Figure 8 shows the variation in rise and fall times when the output offset of the device is varied from 40 to 50 V_{DC}. The rise and fall times show about the same overall variation. The slightly faster fall time is fastest near the center point of 45V, making this the optimum operating point since there is little increase in the rise time.

Thermal Considerations

Figure 5 shows the performance of the LM2402 in the test circuit shown in Figure 3 as a function of case temperature. Figure 5 shows that both the rise and fall times of the LM2402 become slightly slower as the case temperature increases from 40°C to 125°C. In addition to exceeding the safe operating temperature, the rise and fall times will typically exceed 3 nsec. Please note that the LM2402 is **never to be operated over a case temperature of 100°C**.

Figure 7 shows the total power dissipation of the LM2402 vs. Frequency when all three channels of the device are driving both an 8 pF load and a 20 pF load. This graph gives the designer the information needed to determine the heat sink requirement for his application. The designer should note that if the load capacitance is increased the AC component of the total power dissipation will also increase as shown in Figure 7. The designer should also remember that the actual video signal has a period of around 70% to 75%. The remainder of the time the video signal is inactive, or at the black level (below the black level if blanked). During this time the LM2402 will be at the black level, or below, dissipating under 4W. Referring to Figure 15 and using an input black level voltage of 1.9V, the power dissipation during the inactive video time is 3.8W, including both the 80V and 12V supplies.

The LM2402 case temperature must be maintained below 100°C. Assume the worst case operating condition is a 100 MHz square wave during active video (a pixel clock of 200 MHz with one pixel on, one pixel off). From Figure 7 one can see that the power dissipation of the LM2402 is 28W if the 100 MHz square wave is applied all the time. One must also compensate for the inactive period of video. From Figure 15 it has been calculated that the power dissipation during the inactive video is 4W. Therefore there is an additional 24W of power dissipation due to the AC signal. Assume that the AC signal is active 72% of the time. Now the AC power dissipation is:

$$24W \times 0.72 = 17W \tag{1}$$

The total power dissipation for 72% active video time is:

$$17W + 4W = 21W \tag{2}$$

If the maximum expected ambient temperature is 50°C and using the maximum power dissipation of 21W (video being active only 72% of the frame), then a maximum heat sink thermal resistance can be calculated:

$$R_{TH} = \frac{100^{\circ}C - 50^{\circ}C}{21W} = 2.38^{\circ}C/W \tag{3}$$

This example assumes a capacitive load of 8 pF and no resistive load.

Typical Application

A typical application of the LM2402 is shown in Figure 11. Used in conjunction with three LM2202s, a complete video channel from monitor input to CRT cathode can be achieved. Performance is excellent for resolutions up to 1600 × 1200 and pixel clock frequencies at 200 MHz. Figure 11 is the schematic for the TI demonstration board that can be used to evaluate the LM2202/2402 combination in a monitor.

PC Board Layout Considerations

For optimum performance, an adequate ground plane, isolation between channels, good supply bypassing and minimizing unwanted feedback are necessary. Also, the length of the signal traces from the preamplifier to the LM2402 and from the LM2402 to the CRT cathode should be as short as possible. The red video trace from the buffer transistor to the LM2402 input is about the absolute maximum length one should consider on a PCB layout. If possible the traces should actually be shorter than the red video trace. The following references are recommended for video board designers:

Ott, Henry W., "Noise Reduction Techniques in Electronic Systems", John Wiley & Sons, New York, 1976.

"Guide to CRT Video Design", Texas Instruments Application Note 861 ([SNOA268](#)).

"Video Amplifier Design for Computer Monitors", Texas Instruments Application Note 1013 ([SNVA031](#)).

Pease, Robert A., "Troubleshooting Analog Circuits", Butterworth-Heinemann, 1991.

Because of its high small signal bandwidth, the part may oscillate in a monitor if feedback occurs around the video channel through the chassis wiring. To prevent this, leads to the video amplifier input circuit should be shielded, and input circuit wiring should be spaced as far as possible from output circuit wiring.

LM2402

SNOS445B – AUGUST 1999 – REVISED APRIL 2013

www.ti.com

TI Demonstration Board

Figure 12 and Figure 13 show routing and component placement on the TI LM2202/2402 demonstration board. The schematic of the board is shown in Figure 11. This board provides a good example of a layout that can be used as a guide for future layouts. Note the location of the following components:

- C47 - V_{CC} bypass capacitor, located very close to pin 6 and ground pins. (Figure 13)
- C49 - V_{BB} bypass capacitor, located close to pin 10 and ground. (Figure 13)
- C46 and C77 - V_{CC} bypass capacitors, near LM2402 and V_{CC} clamp diodes. Very important for arc protection. (Figure 12)

The routing of the LM2402 outputs to the CRT is very critical to achieving optimum performance. Figure 14 shows the routing and component placement from pin 1 to the blue cathode. Note that the components are placed so that they almost line up from the output pin of the LM2402 to the blue cathode pin of the CRT connector. This is done to minimize the length of the video path between these two components. The direct video path is shown in by a dark gray line through the components and the PCB traces. Note also that D24, D25, R58 and D19 are placed to keep the size of the video nodes to a minimum (R58 is located under D19). This minimizes parasitic capacitance in the video path and also enhances the effectiveness of the protection diodes. The traces in the video nodes to these components are shown by the white line. The anode of protection diode D25 is connected directly to the ground plane giving a short and direct path to the LM2402 ground pins. The cathode of D24 is connected to V_{CC} very close to decoupling capacitor C78 (See Figure 14) which is connected to the same section of the ground plane as D25. The diode placement and routing is very important for minimizing the voltage stress on the LM2402 during an arc-over event. Lastly, notice that S3 is placed very close to the blue cathode and is tied directly to CRT ground.

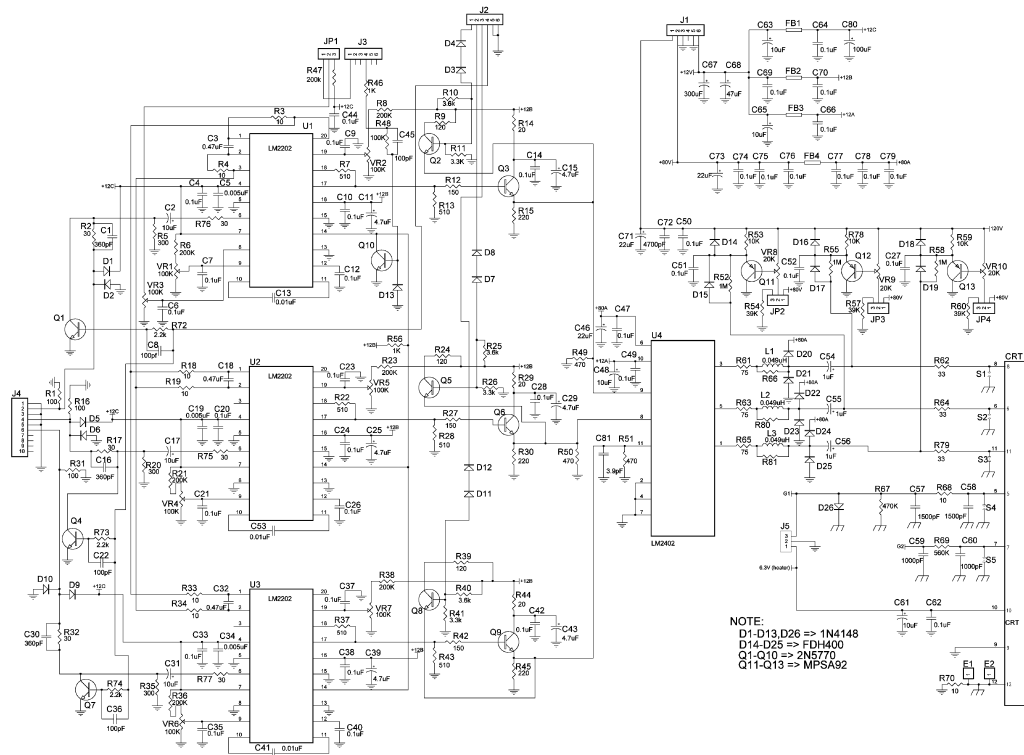


Figure 11. Demo Board Schematic

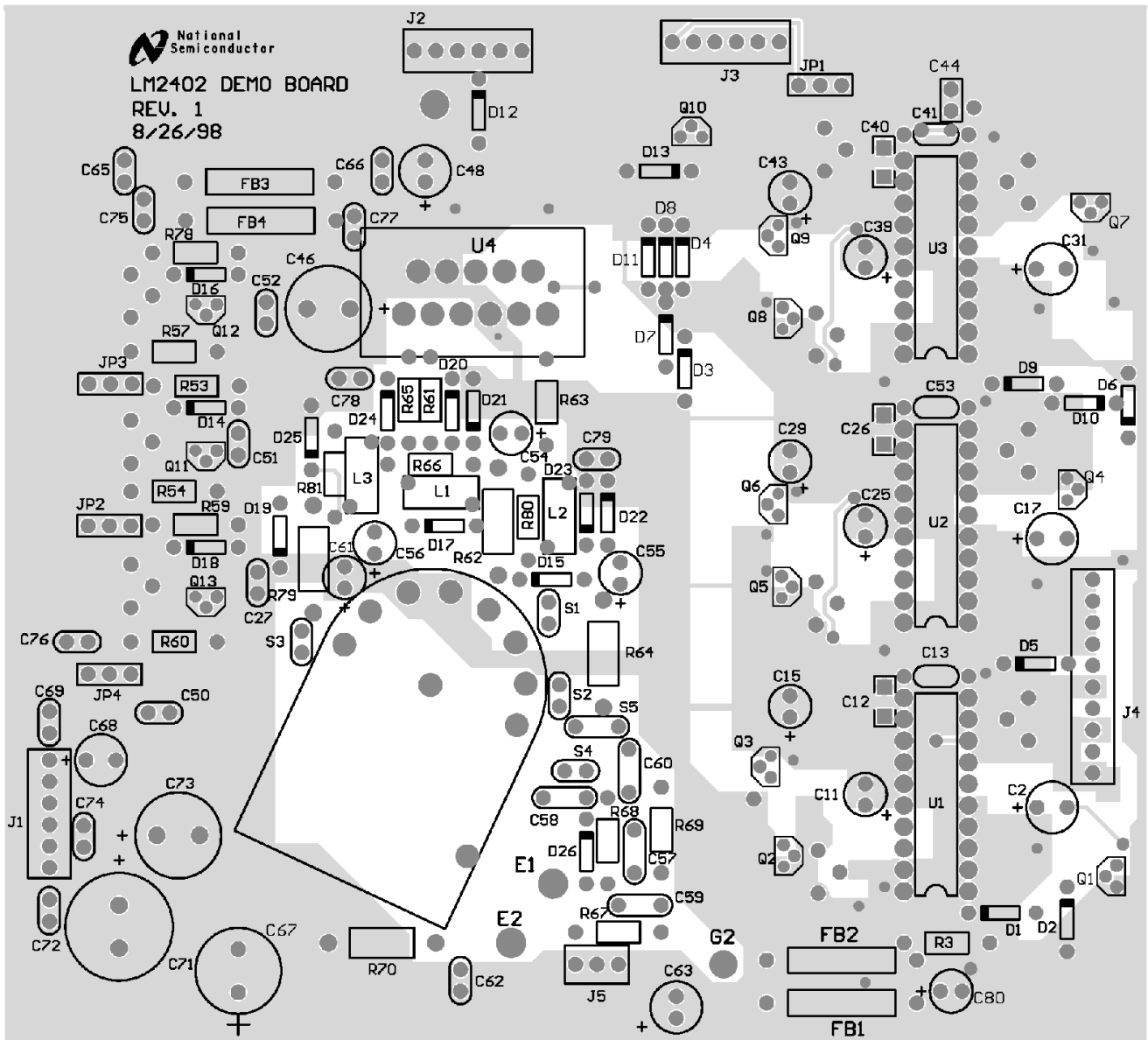


Figure 12. PCB Top Layer

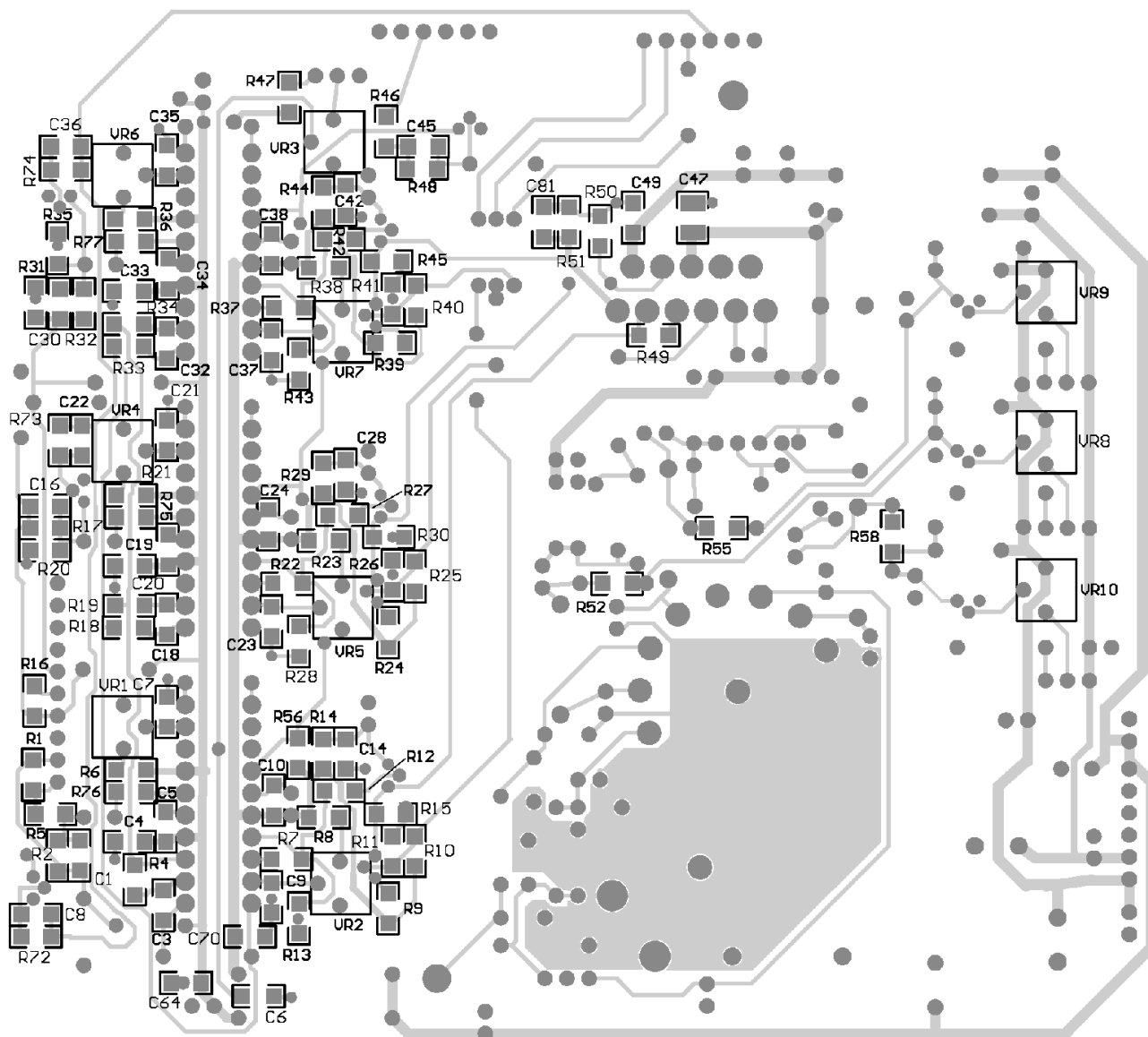


Figure 13. PCB Bottom Layer



REVISION HISTORY

Changes from Revision A (April 2013) to Revision B	Page
• Changed layout of National Data Sheet to TI format	12

IMPORTANT NOTICE

Texas Instruments Incorporated and its subsidiaries (TI) reserve the right to make corrections, enhancements, improvements and other changes to its semiconductor products and services per JESD46, latest issue, and to discontinue any product or service per JESD48, latest issue. Buyers should obtain the latest relevant information before placing orders and should verify that such information is current and complete. All semiconductor products (also referred to herein as "components") are sold subject to TI's terms and conditions of sale supplied at the time of order acknowledgment.

TI warrants performance of its components to the specifications applicable at the time of sale, in accordance with the warranty in TI's terms and conditions of sale of semiconductor products. Testing and other quality control techniques are used to the extent TI deems necessary to support this warranty. Except where mandated by applicable law, testing of all parameters of each component is not necessarily performed.

TI assumes no liability for applications assistance or the design of Buyers' products. Buyers are responsible for their products and applications using TI components. To minimize the risks associated with Buyers' products and applications, Buyers should provide adequate design and operating safeguards.

TI does not warrant or represent that any license, either express or implied, is granted under any patent right, copyright, mask work right, or other intellectual property right relating to any combination, machine, or process in which TI components or services are used. Information published by TI regarding third-party products or services does not constitute a license to use such products or services or a warranty or endorsement thereof. Use of such information may require a license from a third party under the patents or other intellectual property of the third party, or a license from TI under the patents or other intellectual property of TI.

Reproduction of significant portions of TI information in TI data books or data sheets is permissible only if reproduction is without alteration and is accompanied by all associated warranties, conditions, limitations, and notices. TI is not responsible or liable for such altered documentation. Information of third parties may be subject to additional restrictions.

Resale of TI components or services with statements different from or beyond the parameters stated by TI for that component or service voids all express and any implied warranties for the associated TI component or service and is an unfair and deceptive business practice. TI is not responsible or liable for any such statements.

Buyer acknowledges and agrees that it is solely responsible for compliance with all legal, regulatory and safety-related requirements concerning its products, and any use of TI components in its applications, notwithstanding any applications-related information or support that may be provided by TI. Buyer represents and agrees that it has all the necessary expertise to create and implement safeguards which anticipate dangerous consequences of failures, monitor failures and their consequences, lessen the likelihood of failures that might cause harm and take appropriate remedial actions. Buyer will fully indemnify TI and its representatives against any damages arising out of the use of any TI components in safety-critical applications.

In some cases, TI components may be promoted specifically to facilitate safety-related applications. With such components, TI's goal is to help enable customers to design and create their own end-product solutions that meet applicable functional safety standards and requirements. Nonetheless, such components are subject to these terms.

No TI components are authorized for use in FDA Class III (or similar life-critical medical equipment) unless authorized officers of the parties have executed a special agreement specifically governing such use.

Only those TI components which TI has specifically designated as military grade or "enhanced plastic" are designed and intended for use in military/aerospace applications or environments. Buyer acknowledges and agrees that any military or aerospace use of TI components which have **not** been so designated is solely at the Buyer's risk, and that Buyer is solely responsible for compliance with all legal and regulatory requirements in connection with such use.

TI has specifically designated certain components as meeting ISO/TS16949 requirements, mainly for automotive use. In any case of use of non-designated products, TI will not be responsible for any failure to meet ISO/TS16949.

Products

Audio	www.ti.com/audio
Amplifiers	amplifier.ti.com
Data Converters	dataconverter.ti.com
DLP® Products	www.dlp.com
DSP	dsp.ti.com
Clocks and Timers	www.ti.com/clocks
Interface	interface.ti.com
Logic	logic.ti.com
Power Mgmt	power.ti.com
Microcontrollers	microcontroller.ti.com
RFID	www.ti-rfid.com
OMAP Applications Processors	www.ti.com/omap
Wireless Connectivity	www.ti.com/wirelessconnectivity

Applications

Automotive and Transportation	www.ti.com/automotive
Communications and Telecom	www.ti.com/communications
Computers and Peripherals	www.ti.com/computers
Consumer Electronics	www.ti.com/consumer-apps
Energy and Lighting	www.ti.com/energy
Industrial	www.ti.com/industrial
Medical	www.ti.com/medical
Security	www.ti.com/security
Space, Avionics and Defense	www.ti.com/space-avionics-defense
Video and Imaging	www.ti.com/video

TI E2E Community

e2e.ti.com