

Excellent Integrated System Limited

Stocking Distributor

Click to view price, real time Inventory, Delivery & Lifecycle Information:

[Texas Instruments](#)
[LM3351MM/NOPB](#)

For any questions, you can email us directly:

sales@integrated-circuit.com

LM3351

LM3351 Switched Capacitor Voltage Converter



Literature Number: SNIS104B



LM3351

OBSOLETE
September 22, 2011

Switched Capacitor Voltage Converter

General Description

The LM3351 is a CMOS charge-pump voltage converter which efficiently provides a 3.3V to 5V step-up, or 5V to 3.3V step-down. The LM3351 is pin for pin compatible with the LM3350 but consumes 66% less quiescent current. The LM3351 uses four small, low cost capacitors to provide the voltage conversion. It eliminates the cost, size and radiated EMI related to inductor based circuits, or the power loss of a linear regulator. Operating power conversion efficiency greater than 90% provides ideal performance for battery powered portable systems.

The architecture provides a fixed voltage conversion ratio of 3/2 or 2/3. Thus it can be used for other DC-DC conversions as well.

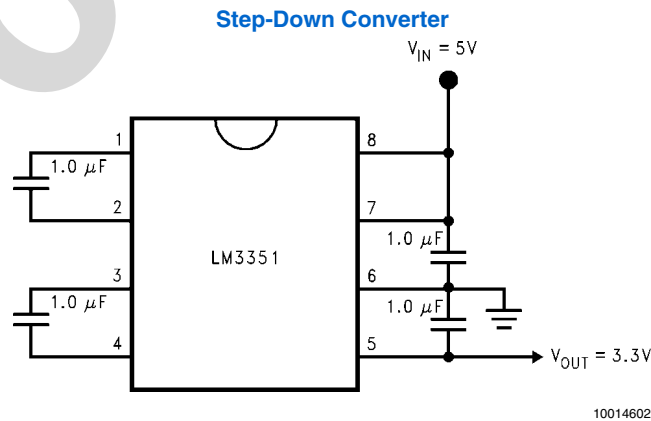
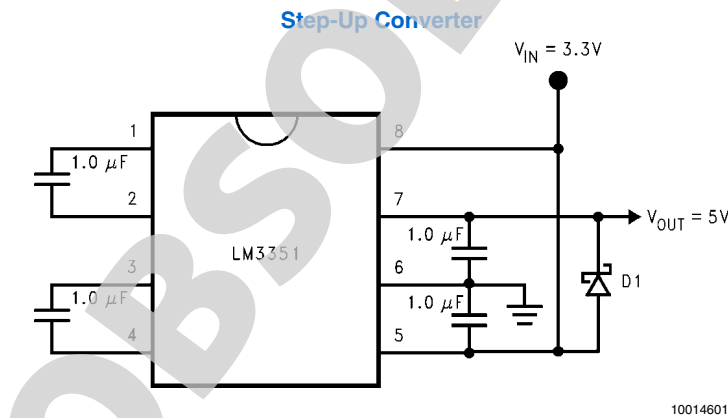
Features

- Conversion of 3.3V to 5V, or 5V to 3.3V
- 200 kHz switch frequency allows use of very small, inexpensive capacitors.
- 4.2Ω typical step-up output impedance
- 1.8Ω typical step-down output impedance
- 95% typical power conversion efficiency at 50 mA
- 250 nA typical shutdown current
- No inductor required
- Low quiescent current extends battery life
- Small Mini SO-8 package

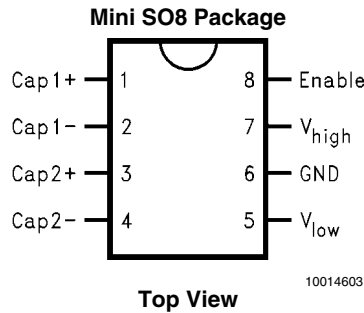
Applications

- Any mixed 5V and 3.3V system
- Laptop computers and PDAs
- Handheld instrumentation
- PCMCIA cards

Basic Operating Circuits



Connection Diagram



Ordering Information

Order Number	Package Type	NSC Package Drawing	Package Marking	Supplied As
LM3351MMX	Mini SO-8	MUA08A	S05A	3500 Units on Tape and Reel
LM3351MM	Mini SO-8	MUA08A	S05A	1000 Units on Tape and Reel

Pin Descriptions

Pin	Name	Function
1	Cap1+	Positive terminal for the first charge pump capacitor.
2	Cap1-	Negative terminal for the first charge pump capacitor.
3	Cap2+	Positive terminal for the second charge pump capacitor.
4	Cap2-	Negative terminal for the second charge pump capacitor.
5	V _{low}	In Step-Up mode, this will be the input terminal. In Step-Down mode, this will be the output terminal.
6	Gnd	Ground
7	V _{high}	In Step-Down mode, this will be the input terminal. In Step-Up mode, this will be the output terminal.
8	Enable	Active high CMOS logic level Enable Input. Connect to Voltage Input terminal to enable the IC. Connect to Ground (Pin 6) to disable.

Absolute Maximum Ratings *(Note 1)*

If Military/Aerospace specified devices are required, please contact the National Semiconductor Sales Office/Distributors for availability and specifications.

Maximum Input Voltage, Step-Down	5.5V
Maximum Input Voltage, Step-Up	3.65V
Power Dissipation (P_D) ($T_A=25^\circ\text{C}$, <i>(Note 2)</i>)	500 mW
θ_{ja} <i>(Note 2)</i>	250°C/W
T_j Max <i>(Note 2)</i>	150°C
Storage Temperature	-65°C to +150°C
Lead Temperature (Soldering, 10 secs)	260°C
ESD Susceptibility <i>(Note 3)</i>	2kV
Not short circuit protected.	

Operating Conditions *(Note 1)*

Ambient Temperature Range	-40°C to +85°C
---------------------------	----------------

Electrical Characteristics 3/2 Step-Up Voltage Converter

Specifications in standard type face are for $T_j = 25^\circ\text{C}$, and those with **boldface type** apply over full operating temperature range. Unless otherwise specified, $V_{in} = 3.3\text{V}$, $V_{Enable} = 3.3\text{V}$, $I_{load} = 50\text{mA}$, C_1 , C_2 , C_{in} and $C_{out} = 1\ \mu\text{F}$.

Symbol	Parameter	Conditions	Typ <i>(Note 4)</i>	Limits <i>(Note 5)</i>	Units
V_{outNL}	Output Voltage at No Load	$I_{load} = 0\ \text{A}$	5.0		V
V_{outFL}	Output Voltage at 50 mA	$I_{load} = 50\ \text{mA}$	4.7		V
V_{in}	Input Supply Voltage Range		3.3	2.5 3.65	V V(Min) V(Max)
I_{Q1}	Quiescent Current	Shutdown Mode, $V_{Enable} = 0\text{V}$, $I_{load} = 0\ \text{A}$; Current into pin V_{low}	0.025	3	μA $\mu\text{A}(\text{Max})$
I_{Q2}	Quiescent Current	Normal Mode, $I_{load} = 0\ \text{A}$; Current into pin V_{low}	1.1	1.5	mA mA(Max)
Z_{out}	Output Source Impedance	$I_{load} = 50\ \text{mA}$	4.2	6.25	Ω $\Omega(\text{Max})$
f_{sw}	Switching Frequency	<i>(Note 6)</i>	200	125 275	kHz kHz(Min) kHz(Max)
V_{Enable}	Enable Threshold Voltage		1.7	1.0 2.5	V V(Min) V(Max)
I_{Enable}	Leakage Current	Current into ENABLE pin; ENABLE = 5V and all other pins at ground	0.025	1	μA $\mu\text{A}(\text{Max})$
P_η	Power Efficiency		95		%

Electrical Characteristics 2/3 Step-Down Voltage Converter

Specifications in standard type face are for $T_j = 25^\circ\text{C}$, and those with **boldface type** apply over **full operating temperature range**. Unless otherwise specified, $V_{\text{high}} = 5\text{V}$, $V_{\text{Enable}} = 5\text{V}$, $I_{\text{load}} = 50\text{ mA}$, C_1 , C_2 , C_{in} and $C_{\text{out}} = 1\ \mu\text{F}$.

Symbol	Parameter	Conditions	Typ (Note 4)	Limits (Note 5)	Units
$V_{\text{out_NL}}$	Output Voltage at No Load	$I_{\text{load}} = 0\ \text{A}$	3.3		V
$V_{\text{out_FL}}$	Output Voltage at 50 mA	$I_{\text{load}} = 50\ \text{mA}$	3.2		V
V_{in}	Input Supply Voltage Range		5	2.2 5.5	V V(Min) V(Max)
I_{Q1}	Quiescent Current	Shutdown Mode, $V_{\text{Enable}} = 0\text{V}$, $I_{\text{load}} = 0\ \text{A}$; Current into pin V_{high}	0.25	3	μA $\mu\text{A}(\text{Max})$
I_{Q2}	Quiescent Current	Normal Mode, $I_{\text{load}} = 0\ \text{A}$; Current into pin V_{high}	0.8	1.0	mA mA(Max)
Z_{out}	Output Source Impedance	$I_{\text{load}} = 50\ \text{mA}$	1.8	3	Ω $\Omega(\text{Max})$
f_{SW}	Switching Frequency	(Note 6)	200	125 275	kHz kHz(Min) kHz(Max)
V_{Enable}	Enable Threshold Voltage		1.7	1.0 2.5	V V(Min) V(Max)
I_{Enable}	Leakage Current	Current into ENABLE pin; ENABLE = 5V and all other pins at ground	0.025	1	μA $\mu\text{A}(\text{Max})$
P_{η}	Power Efficiency		95		%

Note 1: Absolute maximum ratings indicate limits beyond which damage to the device may occur. Operating ratings indicate conditions for which the device is intended to be functional, but do not guarantee specific performance limits. For guaranteed specifications and test conditions, see Electrical Characteristics. The guaranteed specifications apply only for the test conditions listed. Some performance characteristics may degrade when the device is not operated under the listed test conditions.

Note 2: For operation at elevated temperatures, LM3351 must be derated based on package thermal resistance of θ_{ja} and T_j max, $T_j = T_A + \theta_{\text{ja}} P_D$.

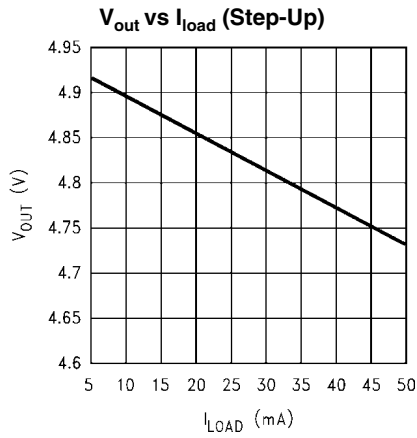
Note 3: The human body model is a 100 pF capacitor discharged through a 1.5 k Ω resistor into each pin.

Note 4: Typical numbers are at 25°C and represent the most likely parametric norm.

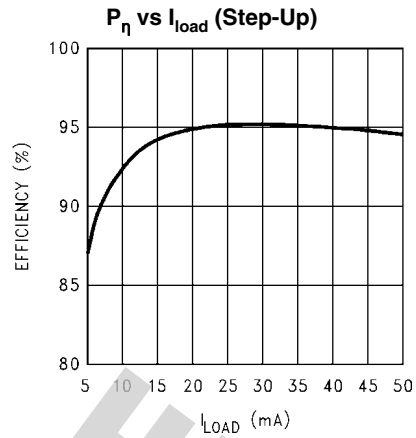
Note 5: Limits are 100% production tested at 25°C. Limits over the operating temperature range are guaranteed through correlation using Statistical Quality Control (SQC) methods. The limits are used to calculate National's Averaging Outgoing Quality Level (AOQL).

Note 6: The internal oscillator runs at 1.6 MHz, the output switches operate at one eighth of the oscillator frequency, $f_{\text{OSC}} = 8f_{\text{SW}}$.

Typical Performance Characteristics

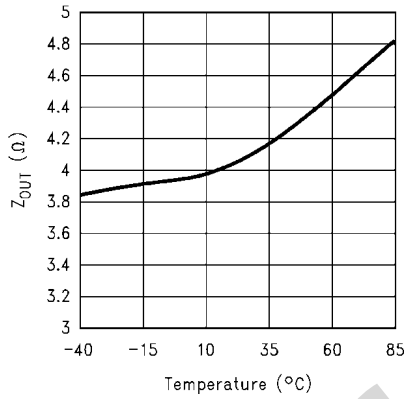


10014604

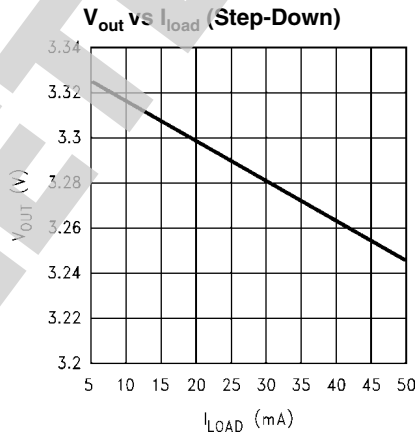


10014605

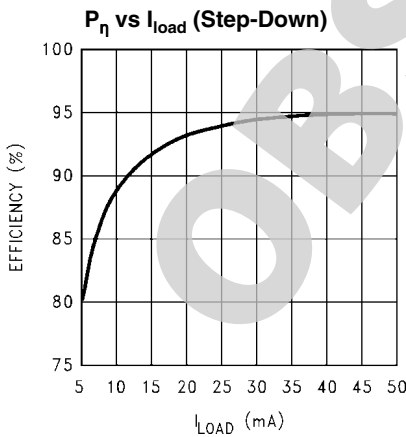
Output Source Impedance vs Temperature (Step-Up)



10014606

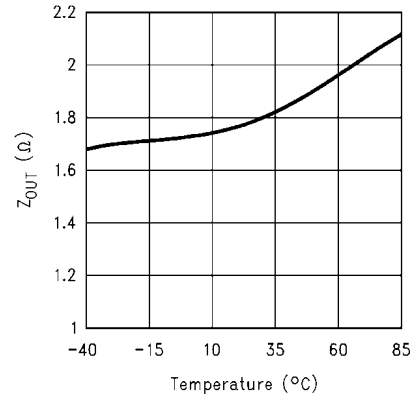


10014607



10014608

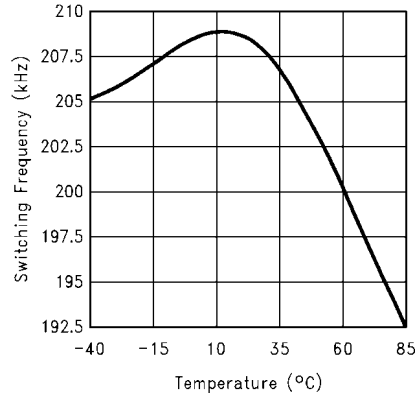
Output Source Impedance vs Temperature (Step-Down)



10014609

LM3351

Switching Frequency vs Temperature



10014610

OBSOLETE

Detailed Operation

OPERATING PRINCIPLE

The LM3351 is a charge-pump voltage converter that provides a voltage conversion ratio of 3/2 in step-up mode and a conversion ratio of 2/3 in the step-down mode. Thus it can be used in the step-down mode to provide a 3.3V output from a regulated 5V input or in the step-up mode to provide a 5V output from a regulated 3.3V input. Other values of input voltages can be used as long as they are within the limits.

The LM3351 contains an array of CMOS switches which are operated in a certain sequence to provide the step-up or step-down of the input supply. An internal RC oscillator provides the timing signals.

Energy transfer and storage are provided by four inexpensive ceramic capacitors. The selection of these capacitors is explained in the Capacitor Selection section under Application Information.

STEP-UP APPLICATIONS NEED AN EXTRA DIODE

The LM3351 is biased from pin V_{high} . Thus for step-up applications, an external Schottky diode (D1) is needed to supply power to V_{high} during startup (See *Figure 1*). Note that during shutdown, this diode will provide a DC path from V_{in} to V_{out} . The load may therefore continue to draw current from the input voltage source. This Schottky diode is not required for step-down applications (See *Figure 2*).

SHUTDOWN MODE

When ENABLE is a logic low (ground), the LM3351 enters a low power shutdown mode. In this mode, all circuitry is disabled and therefore, all switching action stops. During shutdown, the current consumption drops to 250 nA (typical). When ENABLE is a logic high, (i.e. 3.3V for step-up mode and

5.0V for step-down mode), the LM3351 returns to normal operation.

Application Information

CAPACITOR SELECTION

The LM3351 requires four capacitors: an input bypass capacitor (connected between V_{in} and ground), an output hold capacitor (connected between V_{out} and ground), and two sampling capacitors (C1 and C2 in Figures 1, 2). 1.0 μ F ($\pm 20\%$) ceramic chip type capacitors are recommended for all four capacitors. The usable operating frequency should be greater than 5 MHz for all capacitors.

The output hold capacitor value determines the output ripple. Increasing the value of the hold capacitor decreases the ripple. The value of this capacitor (C_{out}) can be calculated (approximately) based on the output ripple (ΔV_{out}) requirements from:

$$C_{OUT} = \frac{I_{LOAD}}{\Delta V_{OUT} f_0}$$

where I_{load} is the load current and f_0 is the oscillator frequency.

In order to ensure superior performance over the entire operating temperature range, capacitors made of X7R dielectric material are suggested. However, capacitors made of other dielectric materials that still meet the $\pm 20\%$ specification over the entire temperature range can also be used.

PRECAUTIONS

The LM3351 is not short circuit protected.

Typical Application Circuits

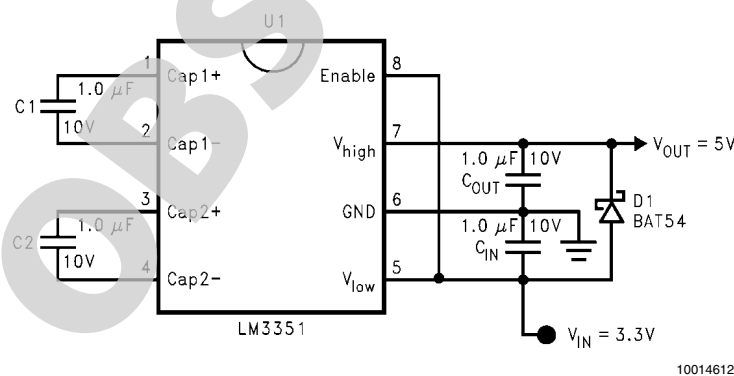
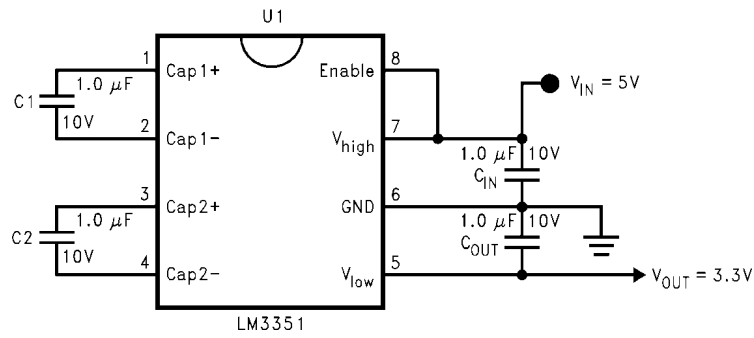


FIGURE 1. Step-Up Converter



10014613

FIGURE 2. Step-Down Converter

Layout Information

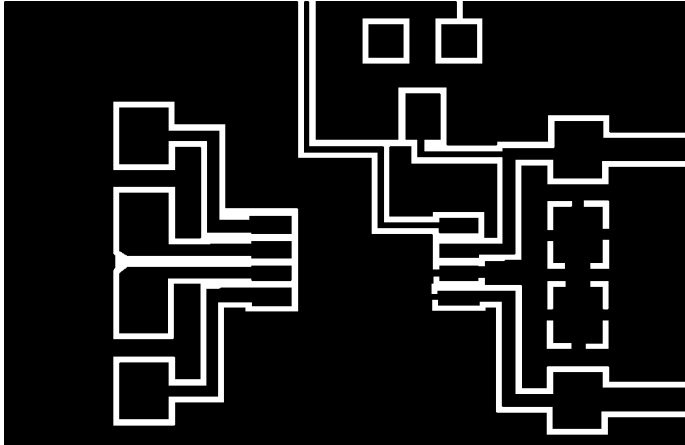
LAYOUT CONSIDERATIONS

The LM3351's high switching frequency (200 kHz) makes a good layout important. *Figure 3* illustrates a typical layout. It is important to keep the distance short between the four capacitors and the IC. Wide traces and grounding are also recommended. These steps will minimize trace inductance

and high frequency ringing. Of the four capacitors, C_{IN} and C_{OUT} have the highest value of di/dt . It is therefore most important to keep them close to the IC. The ground lead that C_{IN} and C_{OUT} share should also be kept wide and short.

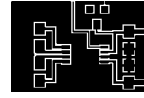
The location of the diode (D1) used in the step-up configuration is not critical. This diode is only used during the initial turn on of the IC. D1 is not needed in step-down applications.

OBSOLETE



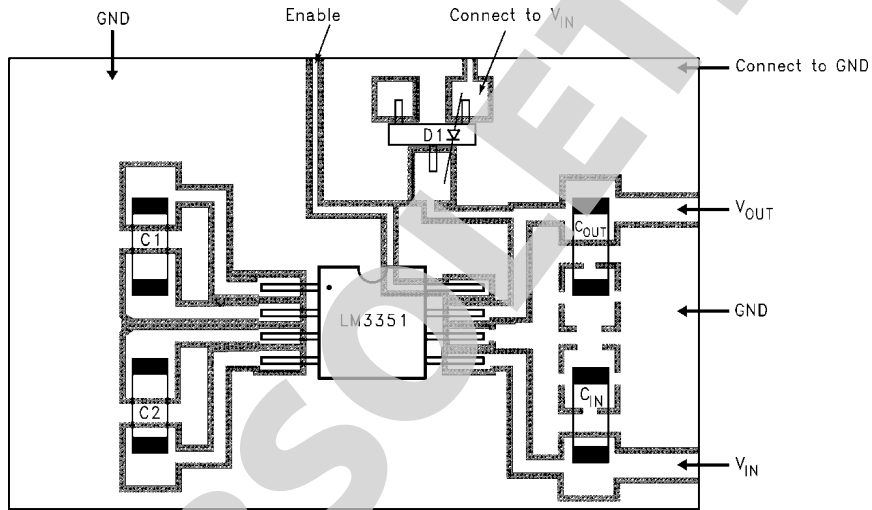
A. Copper side (5X)

10014614



B. Actual Size of the Layout

10014615



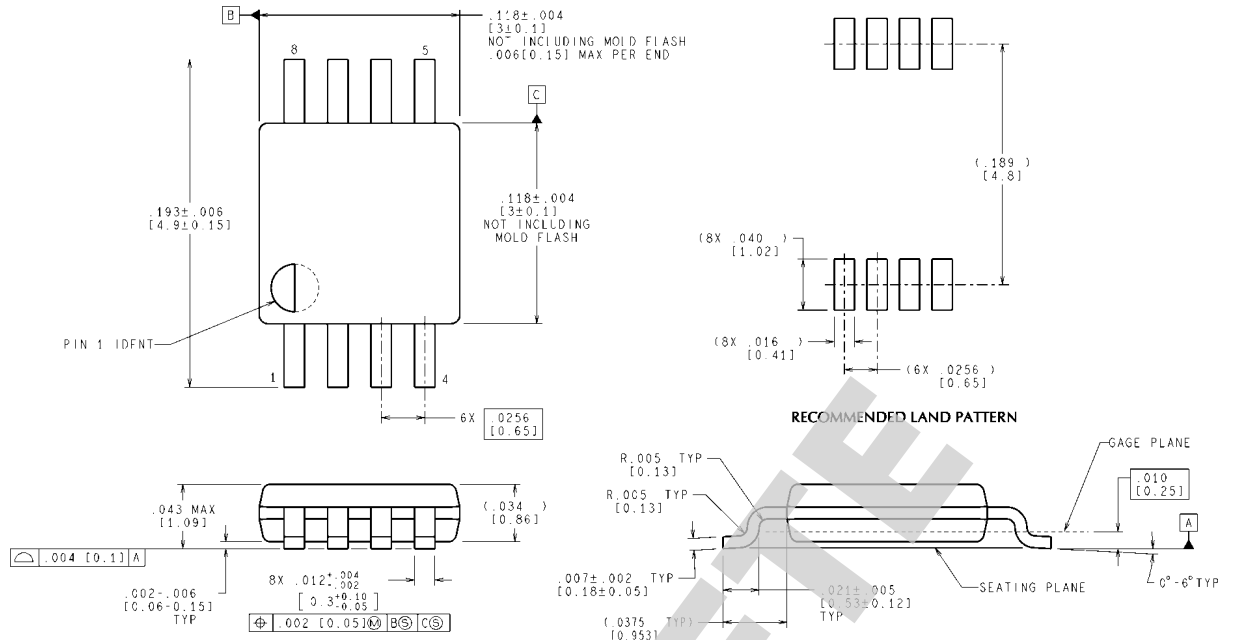
C. Copper side with Component Locations (5X)

10014616

FIGURE 3. Typical Layout

LM3351

Physical Dimensions inches (millimeters) unless otherwise noted



CONTROLLING DIMENSION IS INCH
 VALUES IN [] ARE MILLIMETERS

8-Lead Mini SO (MM)
Order Number LM3351MMX or LM3351MM
NS Package Number MUA08A

MUA08A (Rev F)

OBSOLETE

Notes

OBSOLETE

Notes

For more National Semiconductor product information and proven design tools, visit the following Web sites at:
www.national.com

Products		Design Support	
Amplifiers	www.national.com/amplifiers	WEBENCH® Tools	www.national.com/webench
Audio	www.national.com/audio	App Notes	www.national.com/appnotes
Clock and Timing	www.national.com/timing	Reference Designs	www.national.com/refdesigns
Data Converters	www.national.com/adc	Samples	www.national.com/samples
Interface	www.national.com/interface	Eval Boards	www.national.com/evalboards
LVDS	www.national.com/lvds	Packaging	www.national.com/packaging
Power Management	www.national.com/power	Green Compliance	www.national.com/quality/green
Switching Regulators	www.national.com/switchers	Distributors	www.national.com/contacts
LDOs	www.national.com/lido	Quality and Reliability	www.national.com/quality
LED Lighting	www.national.com/led	Feedback/Support	www.national.com/feedback
Voltage References	www.national.com/vref	Design Made Easy	www.national.com/easy
PowerWise® Solutions	www.national.com/powerwise	Applications & Markets	www.national.com/solutions
Serial Digital Interface (SDI)	www.national.com/sdi	Mil/Aero	www.national.com/milaero
Temperature Sensors	www.national.com/tempensors	SolarMagic™	www.national.com/solarmagic
PLL/VCO	www.national.com/wireless	PowerWise® Design University	www.national.com/training

THE CONTENTS OF THIS DOCUMENT ARE PROVIDED IN CONNECTION WITH NATIONAL SEMICONDUCTOR CORPORATION ("NATIONAL") PRODUCTS. NATIONAL MAKES NO REPRESENTATIONS OR WARRANTIES WITH RESPECT TO THE ACCURACY OR COMPLETENESS OF THE CONTENTS OF THIS PUBLICATION AND RESERVES THE RIGHT TO MAKE CHANGES TO SPECIFICATIONS AND PRODUCT DESCRIPTIONS AT ANY TIME WITHOUT NOTICE. NO LICENSE, WHETHER EXPRESS, IMPLIED, ARISING BY ESTOPPEL OR OTHERWISE, TO ANY INTELLECTUAL PROPERTY RIGHTS IS GRANTED BY THIS DOCUMENT.

TESTING AND OTHER QUALITY CONTROLS ARE USED TO THE EXTENT NATIONAL DEEMS NECESSARY TO SUPPORT NATIONAL'S PRODUCT WARRANTY. EXCEPT WHERE MANDATED BY GOVERNMENT REQUIREMENTS, TESTING OF ALL PARAMETERS OF EACH PRODUCT IS NOT NECESSARILY PERFORMED. NATIONAL ASSUMES NO LIABILITY FOR APPLICATIONS ASSISTANCE OR BUYER PRODUCT DESIGN. BUYERS ARE RESPONSIBLE FOR THEIR PRODUCTS AND APPLICATIONS USING NATIONAL COMPONENTS. PRIOR TO USING OR DISTRIBUTING ANY PRODUCTS THAT INCLUDE NATIONAL COMPONENTS, BUYERS SHOULD PROVIDE ADEQUATE DESIGN, TESTING AND OPERATING SAFEGUARDS.

EXCEPT AS PROVIDED IN NATIONAL'S TERMS AND CONDITIONS OF SALE FOR SUCH PRODUCTS, NATIONAL ASSUMES NO LIABILITY WHATSOEVER, AND NATIONAL DISCLAIMS ANY EXPRESS OR IMPLIED WARRANTY RELATING TO THE SALE AND/OR USE OF NATIONAL PRODUCTS INCLUDING LIABILITY OR WARRANTIES RELATING TO FITNESS FOR A PARTICULAR PURPOSE, MERCHANTABILITY, OR INFRINGEMENT OF ANY PATENT, COPYRIGHT OR OTHER INTELLECTUAL PROPERTY RIGHT.

LIFE SUPPORT POLICY

NATIONAL'S PRODUCTS ARE NOT AUTHORIZED FOR USE AS CRITICAL COMPONENTS IN LIFE SUPPORT DEVICES OR SYSTEMS WITHOUT THE EXPRESS PRIOR WRITTEN APPROVAL OF THE CHIEF EXECUTIVE OFFICER AND GENERAL COUNSEL OF NATIONAL SEMICONDUCTOR CORPORATION. As used herein:

Life support devices or systems are devices which (a) are intended for surgical implant into the body, or (b) support or sustain life and whose failure to perform when properly used in accordance with instructions for use provided in the labeling can be reasonably expected to result in a significant injury to the user. A critical component is any component in a life support device or system whose failure to perform can be reasonably expected to cause the failure of the life support device or system or to affect its safety or effectiveness.

National Semiconductor and the National Semiconductor logo are registered trademarks of National Semiconductor Corporation. All other brand or product names may be trademarks or registered trademarks of their respective holders.

Copyright© 2011 National Semiconductor Corporation

For the most current product information visit us at www.national.com



National Semiconductor Americas Technical Support Center
 Email: support@nsc.com
 Tel: 1-800-272-9959

National Semiconductor Europe Technical Support Center
 Email: europa.support@nsc.com

National Semiconductor Asia Pacific Technical Support Center
 Email: ap.support@nsc.com

National Semiconductor Japan Technical Support Center
 Email: jpn.feedback@nsc.com

IMPORTANT NOTICE

Texas Instruments Incorporated and its subsidiaries (TI) reserve the right to make corrections, modifications, enhancements, improvements, and other changes to its products and services at any time and to discontinue any product or service without notice. Customers should obtain the latest relevant information before placing orders and should verify that such information is current and complete. All products are sold subject to TI's terms and conditions of sale supplied at the time of order acknowledgment.

TI warrants performance of its hardware products to the specifications applicable at the time of sale in accordance with TI's standard warranty. Testing and other quality control techniques are used to the extent TI deems necessary to support this warranty. Except where mandated by government requirements, testing of all parameters of each product is not necessarily performed.

TI assumes no liability for applications assistance or customer product design. Customers are responsible for their products and applications using TI components. To minimize the risks associated with customer products and applications, customers should provide adequate design and operating safeguards.

TI does not warrant or represent that any license, either express or implied, is granted under any TI patent right, copyright, mask work right, or other TI intellectual property right relating to any combination, machine, or process in which TI products or services are used. Information published by TI regarding third-party products or services does not constitute a license from TI to use such products or services or a warranty or endorsement thereof. Use of such information may require a license from a third party under the patents or other intellectual property of the third party, or a license from TI under the patents or other intellectual property of TI.

Reproduction of TI information in TI data books or data sheets is permissible only if reproduction is without alteration and is accompanied by all associated warranties, conditions, limitations, and notices. Reproduction of this information with alteration is an unfair and deceptive business practice. TI is not responsible or liable for such altered documentation. Information of third parties may be subject to additional restrictions.

Resale of TI products or services with statements different from or beyond the parameters stated by TI for that product or service voids all express and any implied warranties for the associated TI product or service and is an unfair and deceptive business practice. TI is not responsible or liable for any such statements.

TI products are not authorized for use in safety-critical applications (such as life support) where a failure of the TI product would reasonably be expected to cause severe personal injury or death, unless officers of the parties have executed an agreement specifically governing such use. Buyers represent that they have all necessary expertise in the safety and regulatory ramifications of their applications, and acknowledge and agree that they are solely responsible for all legal, regulatory and safety-related requirements concerning their products and any use of TI products in such safety-critical applications, notwithstanding any applications-related information or support that may be provided by TI. Further, Buyers must fully indemnify TI and its representatives against any damages arising out of the use of TI products in such safety-critical applications.

TI products are neither designed nor intended for use in military/aerospace applications or environments unless the TI products are specifically designated by TI as military-grade or "enhanced plastic." Only products designated by TI as military-grade meet military specifications. Buyers acknowledge and agree that any such use of TI products which TI has not designated as military-grade is solely at the Buyer's risk, and that they are solely responsible for compliance with all legal and regulatory requirements in connection with such use.

TI products are neither designed nor intended for use in automotive applications or environments unless the specific TI products are designated by TI as compliant with ISO/TS 16949 requirements. Buyers acknowledge and agree that, if they use any non-designated products in automotive applications, TI will not be responsible for any failure to meet such requirements.

Following are URLs where you can obtain information on other Texas Instruments products and application solutions:

Products

Audio	www.ti.com/audio
Amplifiers	amplifier.ti.com
Data Converters	dataconverter.ti.com
DLP® Products	www.dlp.com
DSP	dsp.ti.com
Clocks and Timers	www.ti.com/clocks
Interface	interface.ti.com
Logic	logic.ti.com
Power Mgmt	power.ti.com
Microcontrollers	microcontroller.ti.com
RFID	www.ti-rfid.com
OMAP Mobile Processors	www.ti.com/omap
Wireless Connectivity	www.ti.com/wirelessconnectivity

Applications

Communications and Telecom	www.ti.com/communications
Computers and Peripherals	www.ti.com/computers
Consumer Electronics	www.ti.com/consumer-apps
Energy and Lighting	www.ti.com/energy
Industrial	www.ti.com/industrial
Medical	www.ti.com/medical
Security	www.ti.com/security
Space, Avionics and Defense	www.ti.com/space-avionics-defense
Transportation and Automotive	www.ti.com/automotive
Video and Imaging	www.ti.com/video

TI E2E Community Home Page

e2e.ti.com

Mailing Address: Texas Instruments, Post Office Box 655303, Dallas, Texas 75265
 Copyright © 2011, Texas Instruments Incorporated