



## **Excellent Integrated System Limited**

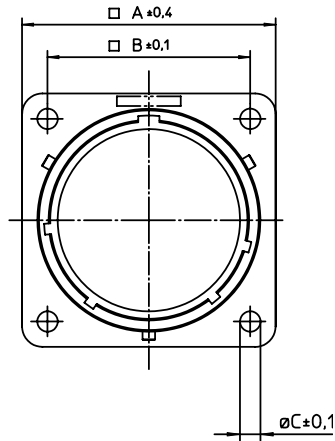
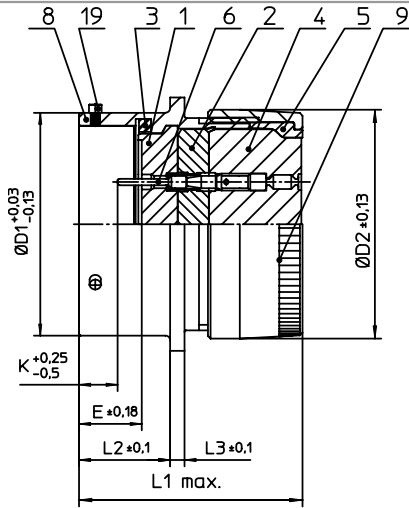
Stocking Distributor

Click to view price, real time Inventory, Delivery & Lifecycle Information:

[ITT Cannon, LLC](#)  
[KPSE00E20-16P](#)

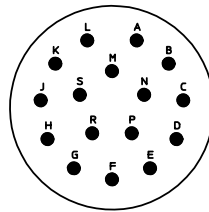
For any questions, you can email us directly:

[sales@integrated-circuit.com](mailto:sales@integrated-circuit.com)




| NO. | MASSE / DIMENSION |
|-----|-------------------|
| A   | 36.5              |
| B   | 29.4              |
| C   | 3.2               |
| D1  | 31.75             |
| D2  | 32.63             |
| E   | 9.82              |
| K   | 3.73              |
| L1  | 36                |
| L2  | 14.25             |
| L3  | 2.2               |

| NO. | BESCHREIBUNG / DESCRIPTION          |
|-----|-------------------------------------|
| 1   | ISOLIERKÖRPER STIFT / INSULATOR PIN |
| 2   | ISOLIERKÖRPER MITTE / WAYER         |
| 3   | DICHTRING / GASKET                  |
| 4   | DICHTKÖRPER / GROMMET               |
| 5   | ENDRING / ENDRING                   |
| 6   | KONTAKT STIFT / CONTACT PIN         |
| 8   | GEHÄUSE / RECEPTACLE                |
| 9   | ENDGEHÄUSE / ENDBELL                |
| 19  | BAYONETTSTIFT / BAYONET PIN         |



Note: Due to an automatic nomenclature system, numbers generated may not be sequential.  
Specification and Dimensions subject to change  
Drawings illustrate normal insulator positioning

| Material Specification: |  |
|-------------------------|--|
| Shell Material:         | Aluminium alloy                          |
| Shell Plating:          | Olive drab chromate over cadmium plating |
| Insulator Material:     | Polychloroprene                          |
| Contact Material:       | Copper alloy, gold plated                |
| Contact Plating:        | Copper alloy, gold plated                |

| all dimensions are in mm   |  | drawing for |                |
|--|--|-------------|----------------|
| Dimensions without tolerance indications are general tolerances in acc. with DIN7168m  |  | CUSTOMER    |                |
| <br><b>ITT</b><br><i>Engineered for life</i><br><small>ITT CANNON GmbH<br/>D-71334 Weinstadt, Germany</small> | description  |             |                |
|  | KPSE00E2016P   |             |                |
|  | Wall mounting receptacle<br>Grommet seal<br>Crimp Contacts / Pin / Layout: 20-16 |             |                |
| © All rights reserved. Reproduction or issue to third in any form<br>whenever is only permitted with written authorization of ITT Cannon   |  | page        | revision       |
|  |  | 1/1         | 1012.5. Jul 16 |