



Excellent Integrated System Limited

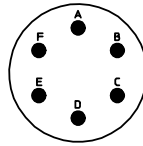
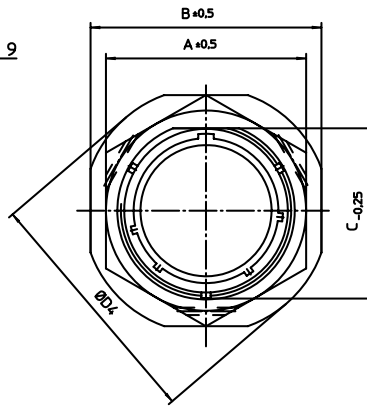
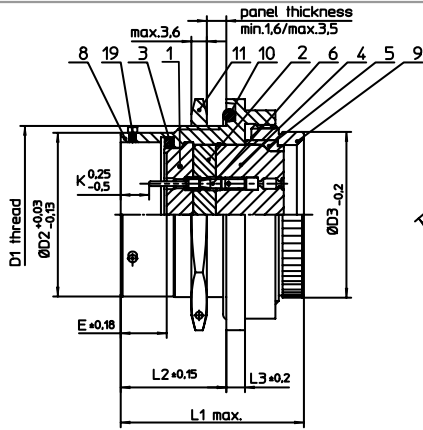
Stocking Distributor

Click to view price, real time Inventory, Delivery & Lifecycle Information:

[ITT Cannon, LLC](#)
[KPSE07E10-6P](#)

For any questions, you can email us directly:

sales@integrated-circuit.com




| NO. | MASSE / DIMENSION |
|-----|-------------------|
| A | 22 |
| B | 27 |
| C | 16.6 |
| D1 | 11/16-24UNEF-2A |
| D2 | 15 |
| D3 | 15.5 |
| D4 | 31 |
| E | 8.25 |
| K | 2.16 |
| L1 | 34 |
| L2 | 17.7 |
| L3 | 3.2 |

| NO. | BESCHREIBUNG / DESCRIPTION |
|-----|-------------------------------------|
| 1 | ISOLIERKÖRPER STIFT / INSULATOR PIN |
| 2 | ISOLIERKÖRPER MITTE / WAYER |
| 3 | DICHTRING / GASKET |
| 4 | DICHTKÖRPER / GROMMET |
| 5 | ENDRING / ENDRING |
| 6 | KONTAKT STIFT / CONTACT PIN |
| 8 | GEHÄUSE / RECEPTACLE |
| 9 | ENDGEHÄUSE / ENDBELL |
| 10 | O-RING / O-RING |
| 11 | SECHSKANTMUTTER / HEX NUT |
| 19 | BAYONETTSTIFT / BAYONET PIN |

Note: Due to an automatic nomenclature system, numbers generated may not be sequential.
Specification and Dimensions subject to change
Drawings illustrate normal insulator positioning

| | |
|-------------------------|--|
| Material Specification: | |
| Shell Material: | Aluminium alloy |
| Shell Plating: | Olive drab chromate over cadmium plating |
| Insulator Material: | Polychloroprene |
| Contact Material: | Copper alloy, gold plated |
| Contact Plating: | Copper alloy, gold plated |

| | |
|--|-------------------------------------|
| all dimensions are in mm Dimensions without tolerance indications are general tolerances in acc. with DIN7168m | drawing for CUSTOMER |
|  description KPSE07E106P Jam nut receptacle Grommet seal Crimp Contacts / Pin / Layout: 10-6 ITT CANNON GmbH D-71364 Weinstadt, Germany | page 1/1 revision 1012.5, Jul 16 |
| © All rights reserved. Reproduction or issue to third in any form whatever is only permitted with written authorization of ITT Cannon | |