



## **Excellent Integrated System Limited**

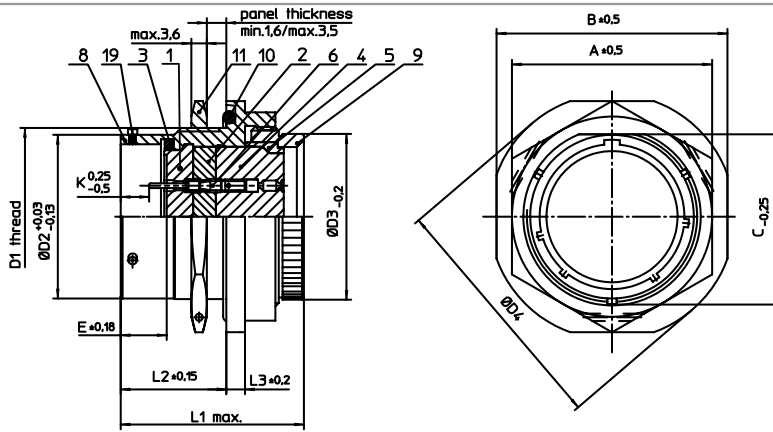
Stocking Distributor

Click to view price, real time Inventory, Delivery & Lifecycle Information:

[ITT Cannon, LLC](#)  
[KPSE07E16-8PX](#)

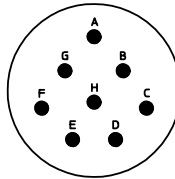
For any questions, you can email us directly:

[sales@integrated-circuit.com](mailto:sales@integrated-circuit.com)




| NO. | MASSE / DIMENSION |
|-----|-------------------|
| A   | 33.5              |
| B   | 38.5              |
| C   | 27.05             |
| D1  | 1 1/18-18UNEF-2A  |
| D2  | 25.4              |
| D3  | 25.65             |
| D4  | 42                |
| E   | 8.25              |
| K   | 2.16              |
| L1  | 34                |
| L2  | 17.7              |
| L3  | 3.2               |

| NO. | BESCHREIBUNG / DESCRIPTION          |
|-----|-------------------------------------|
| 1   | ISOLIERKÖRPER STIFT / INSULATOR PIN |
| 2   | ISOLIERKÖRPER MITTE / WAYER         |
| 3   | DICHTRING / GASKET                  |
| 4   | DICHTKÖRPER / GROMMET               |
| 5   | ENDRING / ENDRING                   |
| 6   | KONTAKT STIFT / CONTACT PIN         |
| 8   | GEHÄUSE / RECEPTACLE                |
| 9   | ENDGEHÄUSE / ENDBELL                |
| 10  | O-RING / O-RING                     |
| 11  | SECHSKANTMUTTER / HEX NUT           |
| 19  | BAYONETTSTIFT / BAYONET PIN         |



Note: Due to an automatic nomenclature system, numbers generated may not be sequential.  
Specification and Dimensions subject to change  
Drawings illustrate normal insulator positioning

|                         |  |
|-------------------------|--|
| Material Specification: |  |
| Shell Material:         | Aluminium alloy                          |
| Shell Plating:          | Olive drab chromate over cadmium plating |
| Insulator Material:     | Polychloroprene                          |
| Contact Material:       | Copper alloy, gold plated                |
| Contact Plating:        | Copper alloy, gold plated                |

|  |                                     |
|--|-------------------------------------|
| all dimensions are in mm<br>Dimensions without tolerance indications are general tolerances in acc. with DIN7168m  | drawing for<br>CUSTOMER             |
| <br>description KPSE07E168PX<br>Jam nut receptacle<br>Grommet seal<br>Crimp Contacts / Pin / Layout: 16-8<br>ITT CANNON GmbH<br>D-71334 Weinstadt-Germersheim | page 1/1<br>revision 1012.5, Jul 16 |
| © All rights reserved. Reproduction or issue to third in any form<br>whatever is only permitted with written authorization of ITT Cannon   |                                     |