



Excellent Integrated System Limited

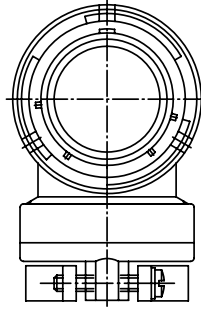
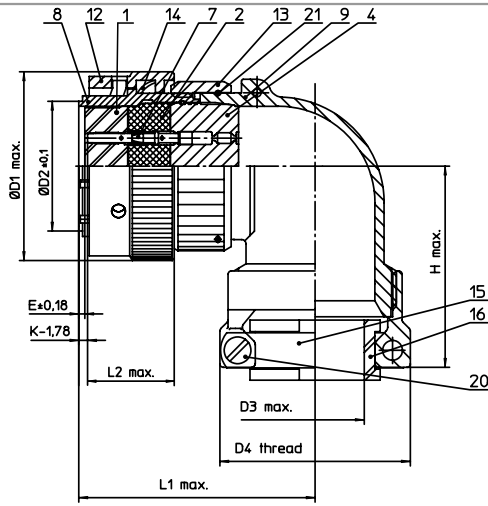
Stocking Distributor

Click to view price, real time Inventory, Delivery & Lifecycle Information:

[ITT Cannon, LLC](#)
[KPSE08B24-61S](#)

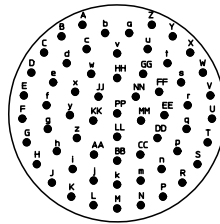
For any questions, you can email us directly:

sales@integrated-circuit.com





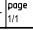
NO.	MASSE / DIMENSION
D1	45.2
D2	33.5
D3	23.9
E	0.23
G	43
H	49.8
K	5.46
L1	52.1
L2	18.7

NO.	BESCHREIBUNG / DESCRIPTION
1	ISOLIERKÖRPER BUCHSE / INSULATOR SOCKET
2	ISOLIERKÖRPER MITTE / WAVER
7	KONTAKT BUCHSE / CONTACT SOCKET
8	GEHÄUSE / RECEPTACLE
9	ENDGEHÄUSE / ENDBELL
12	ÜBERWURFMUTTER / COUPLING NUT
13	ÜBERWURFMUTTER F. ENDGEH. / COUPLING NUT
14	WELLFEDER / WASHER
15	KABELTÜLLE / BUSHING
16	KABELKLEMME / CABLE CLAMP
20	ZYLINDER-SCHRAUBE / CYLINDER HEAD SCREW
21	DRAHT / FIXING WIRE



Note: Due to an automatic nomenclature system, numbers generated may not be sequential.
Specification and Dimensions subject to change
Drawings illustrate normal insulator positioning

Material Specification:	
Shell Material:	Aluminium alloy
Shell Plating:	Olive drab chromate over cadmium plating
Insulator Material:	Polychloroprene
Contact Material:	Copper alloy, gold plated
Contact Plating:	Copper alloy, gold plated

all dimensions are in mm		drawing for	
Dimensions without tolerance indications are general tolerances in acc. with DIN 7168m		CUSTOMER	
 ITT Engineered for life <small>ITT CORPORATION 57106 WestportGermany</small>	description KPSE08B2461S Plug with 90° termination General duty with strain relief Crimp Contacts / Socket / Layout: 24-61		
	<small>© All rights reserved. Reproduction or use in any form without written authorization of ITT Cannon</small>	 page 1/1	 revision 10125_Jul 16