



## **Excellent Integrated System Limited**

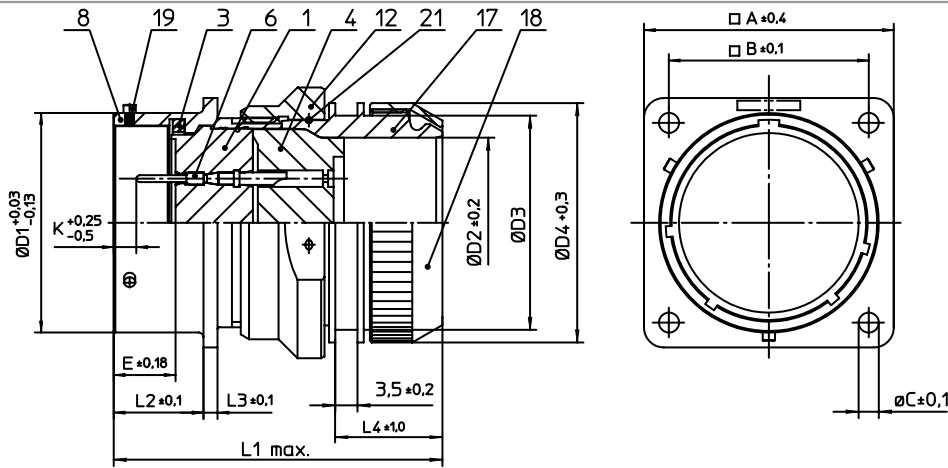
Stocking Distributor

Click to view price, real time Inventory, Delivery & Lifecycle Information:

[ITT Cannon, LLC](#)  
[KPT00E20-16PDZ](#)

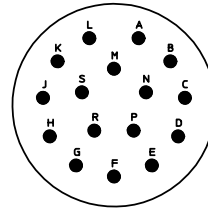
For any questions, you can email us directly:

[sales@integrated-circuit.com](mailto:sales@integrated-circuit.com)




NO.	MASSE / DIMENSION
A	36.5
B	29.4
C	3.2
D1	31.75
D2	23.8
D3	M32X1
D4	34
E	9.82
K	3.73
L1	58
L2	14.2
L3	2.2
L4	18

NO.	BESCHREIBUNG / DESCRIPTION
1	ISOLIERKÖRPER STIFT / INSULATOR PIN
3	DICHTRING / GASKET
4	DICHTKÖRPER / GROMMET
6	KONTAKT STIFT / CONTACT PIN
8	GEHÄUSE / RECEPTACLE
12	ÜBERWURFMUTTER / COUPLING NUT
17	ADAPTER / ADAPTER
18	KLEMM-MUTTER / CLAMP NUT
19	BAYONETTSTIFT / BAYONET PIN
21	DRAHT / FIXING WIRE



Note: Due to an automatic nomenclature system, numbers generated may not be sequential.
Specification and Dimensions subject to change Drawings illustrate normal insulator positioning
Material Specification:
Shell Material: Aluminium alloy
Shell Plating: Olive drab chromate over cadmium plating
Insulator Material: Polychloroprene
Contact Material: Copper alloy, gold plated
Contact Plating: Copper alloy, gold plated

all dimensions are in mm Dimensions without tolerance indications are general tolerances in acc. with DIN7168m	drawing for CUSTOMER
 description KPT00E2016PDZ Wall mounting receptacle Endbell for shielding braids and shrink boots Solder Cup / Pin / Layout: 20-16	
© All rights reserved. Reproduction or issue to third in any form whatever is only permitted with written authorization of ITT Cannon	page 1/1 revision 1013 5. Jul 16