



Excellent Integrated System Limited

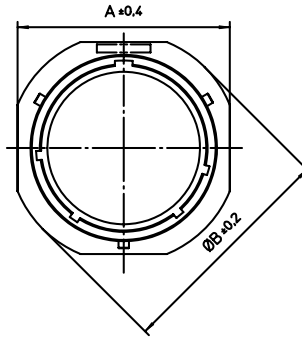
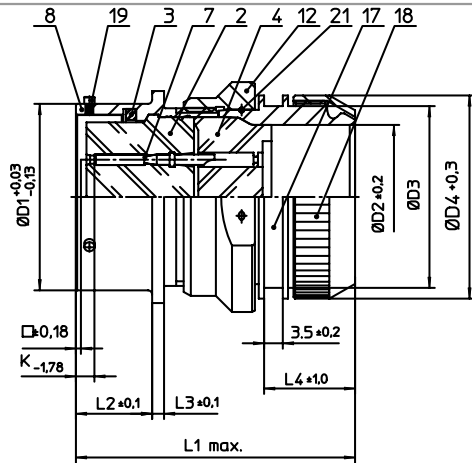
Stocking Distributor

Click to view price, real time Inventory, Delivery & Lifecycle Information:

[ITT Cannon, LLC](#)
[KPT01E8-33SDZ](#)

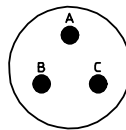
For any questions, you can email us directly:

sales@integrated-circuit.com



NO.	MASSE / DIMENSION
A	20.6
B	23.8
D1	12
D2	6.7
D3	M14X1
D4	16
E	0.46
K	3.89
L1	52
L2	11.6
L3	1.9
L4	15

NO.	BESCHREIBUNG / DESCRIPTION
2	ISOLIERKÖRPER BUCHSE / INSULATOR SOCKET
3	DICHTRING / GASKET
4	DICHTKÖRPER / GROMMET
7	KONTAKT BUCHSE / CONTACT SOCKET
8	GEHÄUSE / RECEPTACLE
12	ÜBERWURFMUTTER / COUPLING NUT
17	ADAPTER / ADAPTER
18	KLEMM-MUTTER / CLAMP NUT
19	BAYONETTSTIFT / BAYONET PIN
21	DRAHT / FIXING WIRE



Note: Due to an automatic nomenclature system, numbers generated may not be sequential.
Specification and Dimensions subject to change
Drawings illustrate normal insulator positioning

Material Specification:
Shell Material: Aluminium alloy
Shell Plating: Olive drab chromate over cadmium plating
Insulator Material: Polychloroprene
Contact Material: Copper alloy, gold plated
Contact Plating: Copper alloy, gold plated

all dimensions are in mm
Dimensions without tolerance indications are general tolerances in acc. with DIN7168m
drawing for CUSTOMER



description KPT01E833SDZ
Cable connecting plug
Endbell for shielding braids and shrink boots
Solder Cup / Socket / Layout: 8-33

© All rights reserved. Reproduction or issue to third in any form
whenever is only permitted with written authorization of ITT Cannon
page 1/1
revision 1013 5. Jul 16