



## **Excellent Integrated System Limited**

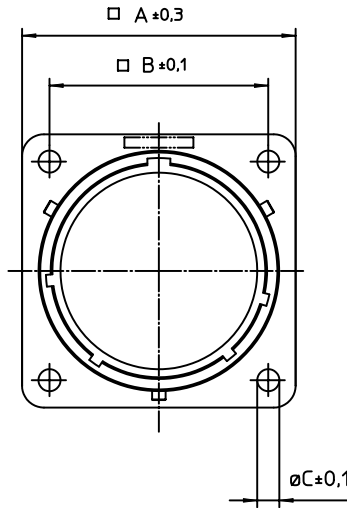
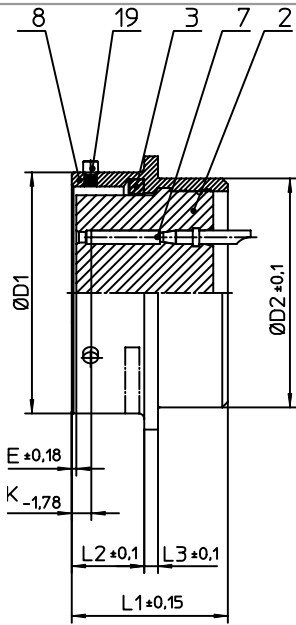
Stocking Distributor

Click to view price, real time Inventory, Delivery & Lifecycle Information:

[ITT Cannon, LLC](#)  
[KPT02E14-12SX](#)

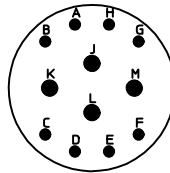
For any questions, you can email us directly:

[sales@integrated-circuit.com](mailto:sales@integrated-circuit.com)



| NO. | MASSE / DIMENSION |
|-----|-------------------|
| A   | 28.5              |
| B   | 23                |
| C   | 3.2               |
| D1  | 22.23             |
| D2  | 20.5              |
| E   | 0.46              |
| K   | 3.89              |
| L1  | 21.1              |
| L2  | 11.6              |
| L3  | 1.9               |

| NO. | BESCHREIBUNG / DESCRIPTION              |
|-----|---|
| 2   | ISOLIERKÖRPER BUCHSE / INSULATOR SOCKET |
| 3   | DICHTRING / GASKET                      |
| 7   | KONTAKT BUCHSE / CONTACT SOCKET         |
| 8   | GEHÄUSE / RECEPTACLE                    |
| 19  | BAYONETTSTIFT / BAYONET PIN             |



Note: Due to an automatic nomenclature system, numbers generated may not be sequential.

Specification and Dimensions subject to change  
Drawings illustrate normal insulator positioning

| Material Specification: |  |
|-------------------------|--|
| Shell Material:         | Aluminium alloy                          |
| Shell Plating:          | Olive drab chromate over cadmium plating |
| Insulator Material:     | Polychloroprene                          |
| Contact Material:       | Copper alloy, gold plated                |
| Contact Plating:        | Copper alloy, gold plated                |

all dimensions are in mm  
Dimensions without tolerance indications are general tolerances in acc. with DIN7168m

drawing for  
CUSTOMER



description KPT02E1412SX  
Box mounting receptacle

Solder Cup / Socket / Layout: 14-12

© All rights reserved. Reproduction or issue to third in any form  
whenever is only permitted with written authorization of ITT Cannon



page 1/1  
revision 1013 5. Jul 16