



**Distributor of ITT Cannon, LLC: Excellent Integrated System Limited**

Datasheet of KPT07E8-4P - CONN RCPT 4POS JAM NUT PIN

Contact us: [sales@integrated-circuit.com](mailto:sales@integrated-circuit.com) Website: [www.integrated-circuit.com](http://www.integrated-circuit.com)

---

## **Excellent Integrated System Limited**

Stocking Distributor

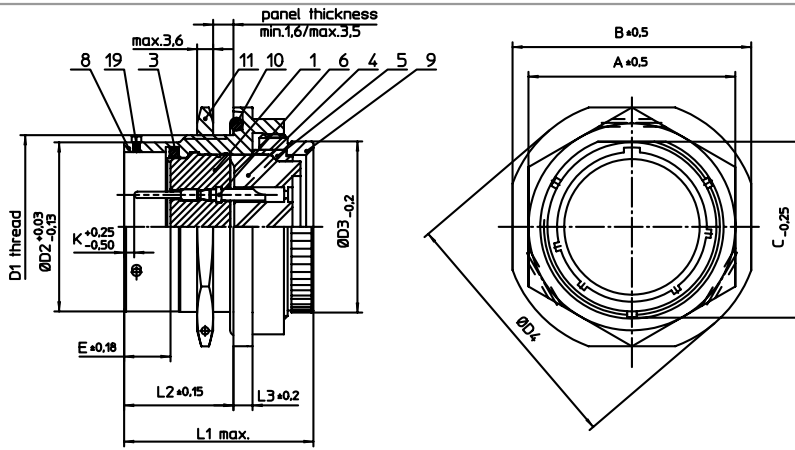
Click to view price, real time Inventory, Delivery & Lifecycle Information:

[ITT Cannon, LLC](#)

[KPT07E8-4P](#)

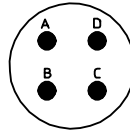
For any questions, you can email us directly:

[sales@integrated-circuit.com](mailto:sales@integrated-circuit.com)





| NO. | MASSE / DIMENSION |
|-----|-------------------|
| A   | 19                |
| B   | 24                |
| C   | 13.45             |
| D1  | 9/16-24UNEF-2A    |
| D2  | 12                |
| D3  | 12.95             |
| D4  | 28                |
| E   | 8.25              |
| K   | 2.16              |
| L1  | 34                |
| L2  | 17.7              |
| L3  | 3.2               |

| NO. | BESCHREIBUNG / DESCRIPTION          |
|-----|-------------------------------------|
| 1   | ISOLIERKÖRPER STIFT / INSULATOR PIN |
| 3   | DICHTRING / GASKET                  |
| 4   | DICHTKÖRPER / GROMMET               |
| 5   | ENDRING / ENDRING                   |
| 6   | KONTAKT STIFT / CONTACT PIN         |
| 8   | GEHÄUSE / RECEPTACLE                |
| 9   | ENDGEHÄUSE / ENDBELL                |
| 10  | O-RING / O-RING                     |
| 11  | SECHSKANTMUTTER / HEX NUT           |
| 19  | BAYONETTSTIFT / BAYONET PIN         |



Note: Due to an automatic nomenclature system, numbers generated may not be sequential.  
Specification and Dimensions subject to change  
Drawings illustrate normal insulator positioning

| Material Specification: |  |
|-------------------------|--|
| Shell Material:         | Aluminium alloy                          |
| Shell Plating:          | Olive drab chromate over cadmium plating |
| Insulator Material:     | Polychloroprene                          |
| Contact Material:       | Copper alloy, gold plated                |
| Contact Plating:        | Copper alloy, gold plated                |

| all dimensions are in mm  |                    | drawing for   |                            |
|---|--------------------|---|----------------------------|
| Dimensions without tolerance indications are general tolerances in acc. with DIN7168m   |                    | CUSTOMER  |                            |
| <br><b>ITT</b><br>Engineered for life<br><small>ITT CANNON GERMANY<br/>D-73384 Weinstadt Germany</small> | description        |   |                            |
|   | KPT07E84P          |   |                            |
|   | Jam nut receptacle |   |                            |
|   |                    | Grommet seal  |                            |
|   |                    | Solder Cup / Pin / Layout: 8-4  |                            |
| © All rights reserved. Reproduction or issue to third in any form<br>whenever is only permitted with written authorization of ITT Cannon  |                    |  page<br>1/1 | revision<br>1013.5, Jul 16 |