

## Excellent Integrated System Limited

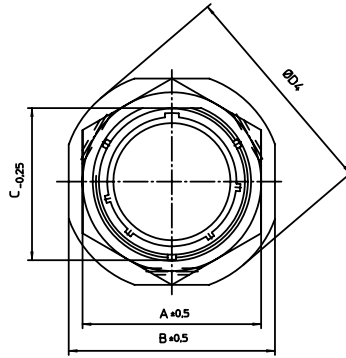
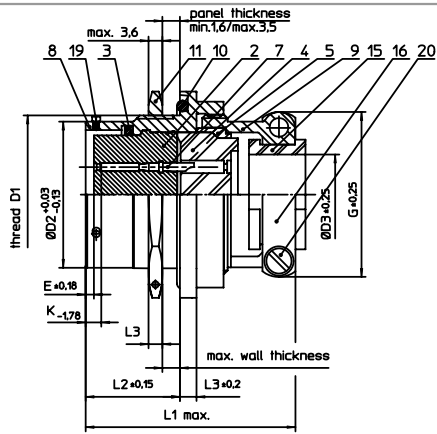
Stocking Distributor

Click to view price, real time Inventory, Delivery & Lifecycle Information:

[ITT Cannon, LLC](#)  
[KPT07F14-5S](#)

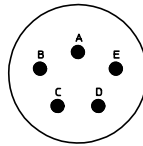
For any questions, you can email us directly:

[sales@integrated-circuit.com](mailto:sales@integrated-circuit.com)



NO.	MASSE / DIMENSION
A	30.3
B	35
C	23.9
D1	1-20UNEF-2A
D2	22.23
D3	9.5
D4	39
E	0.46
K	3.89
L1	45.2
L2	17.7
L3	3.2

NO.	BESCHREIBUNG / DESCRIPTION
2	ISOLIERKÖRPER BUCHSE / INSULATOR SOCKET
3	DICHTRING / GASKET
4	DICHTKÖRPER / GROMMET
5	ENDRING / ENDRING
7	KONTAKT BUCHSE / CONTACT SOCKET
8	GEHÄUSE / RECEPTACLE
9	ENDGEHÄUSE / ENDBELL
10	O-RING / O-RING
11	SECHSKANTMUTTER / HEX NUT
15	KABELTÜLLE / BUSHING
16	KABELKLEMME / CABLE CLAMP
19	BAYONETTSTIFT / BAYONET PIN
20	ZYLINDER-SCHRAUBE / CYLINDER HEAD SCREW



Note: Due to an automatic nomenclature system, numbers generated may not be sequential. Specification and Dimensions subject to change Drawings illustrate normal insulator positioning
Material Specification:
Shell Material: Aluminium alloy
Shell Plating: Olive drab chromate over cadmium plating
Insulator Material: Polychloroprene
Contact Material: Copper alloy, gold plated
Contact Plating: Copper alloy, gold plated

all dimensions are in mm Dimensions without tolerance indications are general tolerances in acc. with DIN7168m	drawing for CUSTOMER
 <b>ITT</b> Engineered for life ITT CANNON GmbH D-73344 Albstadt-Ebingen	description KPT07F145S Jam nut receptacle Grommet seal with strain relief Solder Cup / Socket / Layout: 14-5
© All rights reserved. Reproduction or issue in third in any form without is only permitted with written authorization of ITT Cannon	page 1/1 revision 1013 5. Jul 16