

Excellent Integrated System Limited

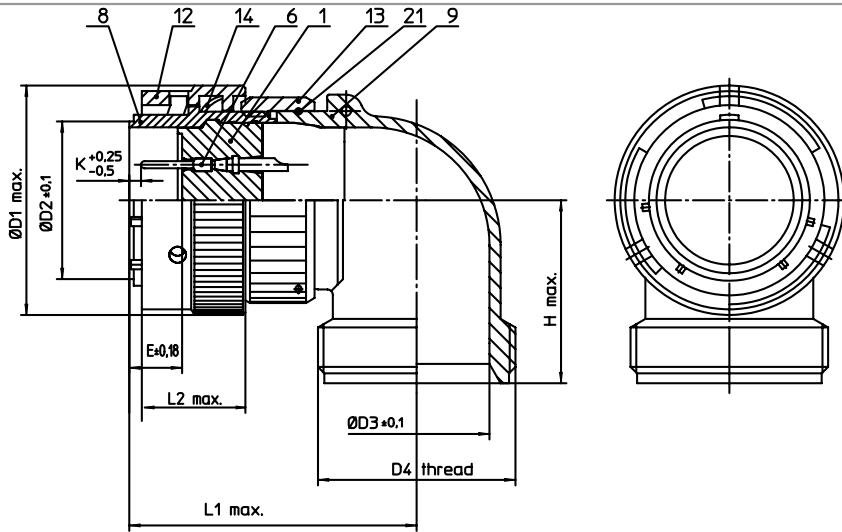
Stocking Distributor

Click to view price, real time Inventory, Delivery & Lifecycle Information:

[ITT Cannon, LLC](#)
[KPT08A20-39P](#)

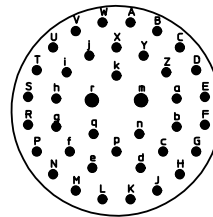
For any questions, you can email us directly:

sales@integrated-circuit.com




NO.	MASSE / DIMENSION
D1	39
D2	27.1
D3	23
D4	1 3/16-18UNEF-2A
E	8.02
H	29.6
K	5.46
L1	48.3
L2	15.9

NO.	BESCHREIBUNG / DESCRIPTION
1	ISOLIERKÖRPER STIFT / INSULATOR PIN
6	KONTAKT STIFT / CONTACT PIN
8	GEHÄUSE / RECEPTACLE
9	ENDGEHÄUSE / ENDBELL
12	ÜBERWURFMUTTER / COUPLING NUT
13	ÜBERWURFMUTTER F. ENDGEH. / COUPLING NUT
14	WELLFEDER / WASHER
21	DRAHT / FIXING WIRE



Note: Due to an automatic nomenclature system, numbers generated may not be sequential.
Specification and Dimensions subject to change Drawings illustrate normal insulator positioning
Material Specification:
Shell Material: Aluminium alloy
Shell Plating: Olive drab chromate over cadmium plating
Insulator Material: Polychloroprene
Contact Material: Copper alloy, gold plated
Contact Plating: Copper alloy, gold plated

all dimensions are in mm Dimensions without tolerance indications are general tolerances in acc. with DIN7168m	drawing for CUSTOMER
 ITT Engineered for life ITT CANNON GmbH D-71334 Wernau/Germany	description KPT08A2039P Plug with 90° termination General duty Solder Cup / Pin / Layout: 20-39
© All rights reserved. Reproduction or issue to third in any form who ever is only permitted with written authorization of ITT Cannon	page 1/1 revision 1013 5. Jul 16