



Distributor of ITT Cannon, LLC: Excellent Integrated System Limited

Datasheet of KPT08F16-8SY - CONN PLUG 8POS INLINE RA SKT

Contact us: sales@integrated-circuit.com Website: www.integrated-circuit.com

Excellent Integrated System Limited

Stocking Distributor

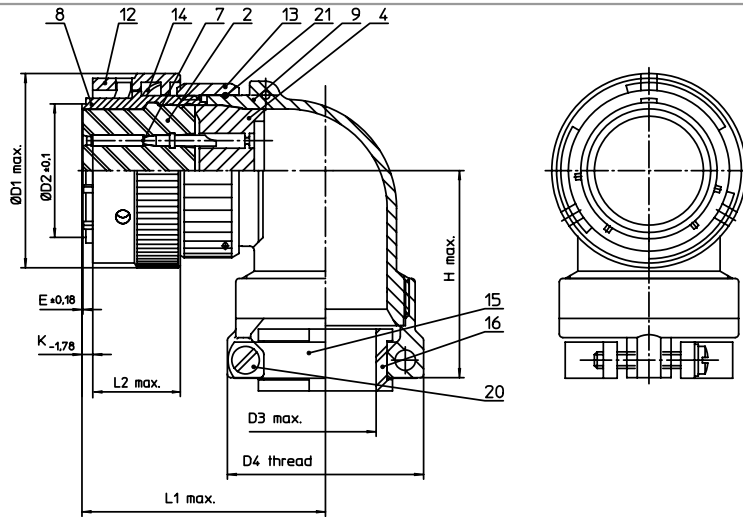
Click to view price, real time Inventory, Delivery & Lifecycle Information:

[ITT Cannon, LLC](#)

[KPT08F16-8SY](#)

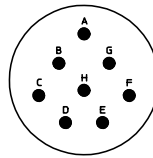
For any questions, you can email us directly:

sales@integrated-circuit.com



| NO. | MASSE / DIMENSION |
|-----|-------------------|
| D1 | 33.2 |
| D2 | 21.4 |
| D3 | 16 |
| E | 0.23 |
| G | 31.8 |
| H | 40 |
| K | 3.89 |
| L1 | 42.5 |
| L2 | 15.9 |

| NO. | BESCHREIBUNG / DESCRIPTION |
|-----|--|
| 2 | ISOLIERKÖRPER BUCHSE / INSULATOR SOCKET |
| 7 | KONTAKT BUCHSE / CONTACT SOCKET |
| 8 | GEHÄUSE / RECEPTACLE |
| 9 | ENDGEHÄUSE / ENDBELL |
| 12 | ÜBERWURFMUTTER / COUPLING NUT |
| 13 | ÜBERWURFMUTTER F. ENDGEH. / COUPLING NUT |
| 14 | WELLFEDER / WASHER |
| 15 | KABELTÜLLE / BUSHING |
| 16 | KABELKLEMME / CABLE CLAMP |
| 20 | ZYLINDER-SCHRAUBE / CYLINDER HEAD SCREW |
| 21 | DRAHT / FIXING WIRE |



| |
|--|
| Note: Due to an automatic nomenclature system, numbers generated may not be sequential. |
| Specification and Dimensions subject to change Drawings illustrate normal insulator positioning |
| <u>Material Specification:</u> |
| Shell Material: Aluminium alloy |
| Shell Plating: Olive drab chromate over cadmium plating |
| Insulator Material: Polychloroprene |
| Contact Material: Copper alloy, gold plated |
| Contact Plating: Copper alloy, gold plated |

| | |
|---|---|
| all dimensions are in mm Dimensions without tolerance indications are general tolerances in acc. with DIN7168m | drawing for CUSTOMER |
|  ITT <i>Engineered for life</i> <small>ITT CANNON GmbH D-71334 Heilbronn</small> | description KPT08F168SY Plug with 90° termination Grommet seal with strain relief Solder Cup / Socket / Layout: 16-8 |
| © All rights reserved. Reproduction or issue to third in any form whatever is only permitted with written authorization of ITT Cannon | page 1/1 revision 1013 S, Jul 16 |