

## **Excellent Integrated System Limited**

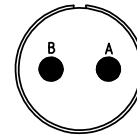
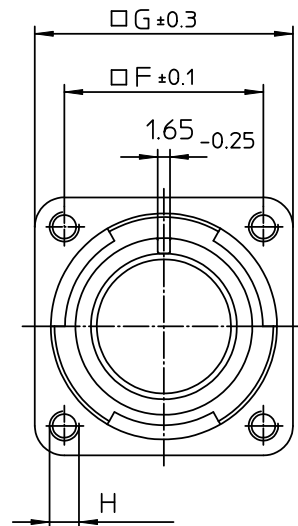
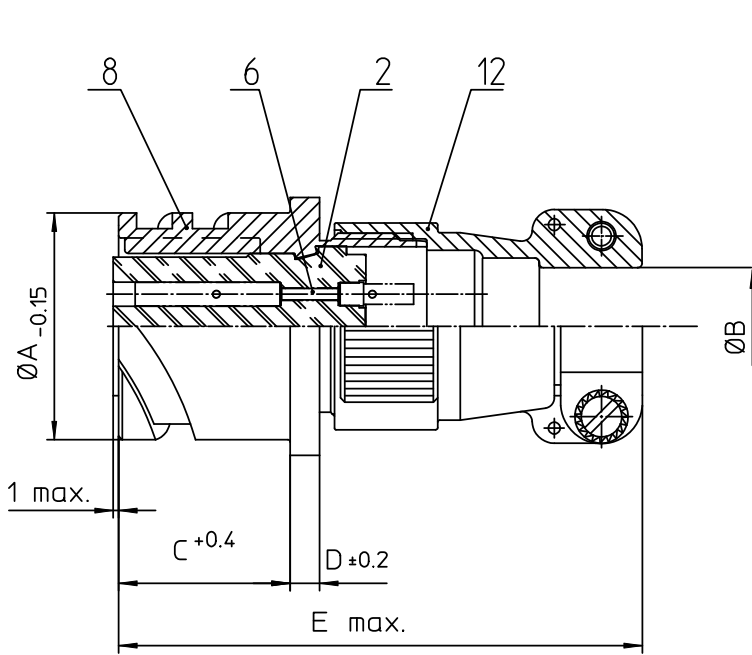
Stocking Distributor

Click to view price, real time Inventory, Delivery & Lifecycle Information:

[ITT Cannon, LLC](#)  
[CA00COME10SL-4SB](#)

For any questions, you can email us directly:

[sales@integrated-circuit.com](mailto:sales@integrated-circuit.com)



NO.	MASSE / DIMENSION
A	18,2
B	7,9
C	18,2
D	2,8
E	57
F	18,2
G	25,4
H	M4

NO.	BESCHREIBUNG / DESCRIPTION
2	ISOLIERKÖRPER BUCHSE / INSULATOR SOCKET
6	KONTAKTBUCHSE / CONTACT SOCKET
8	DOSENGEHÄUSE / SHELL
12	ENDGEHÄUSE / ENDBELL

Note: Due to an automatic nomenclature system, numbers generated may not be sequential.

Specification and Dimensions subject to change  
Drawings illustrate normal insulator positioning

**Material Specification:**

Shell Material: Aluminium alloy  
Shell Plating: Nickel plated  
Insulator Material: CR-Elastomere  
Contact Material: Copper alloy  
Contact Plating: Hard silver

**all dimensions are in mm**

Dimensions without tolerance indications are general tolerances in acc. with DIN7168m

drawing for  
CUSTOMER



description CA00COM-E10SL-4S-B  
Wall mounting receptacle  
Endbell with clamp and bushing  
Solder Cup / Socket / Layout: 10SL-4

© All rights reserved. Reproduction or issue to third in any form  
whatever is only permitted with written authorization of ITT Cannon

page 1/1 revision 484 3. Jul 16