



## **Excellent Integrated System Limited**

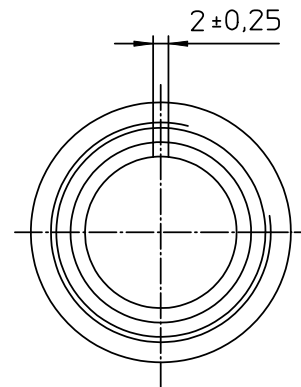
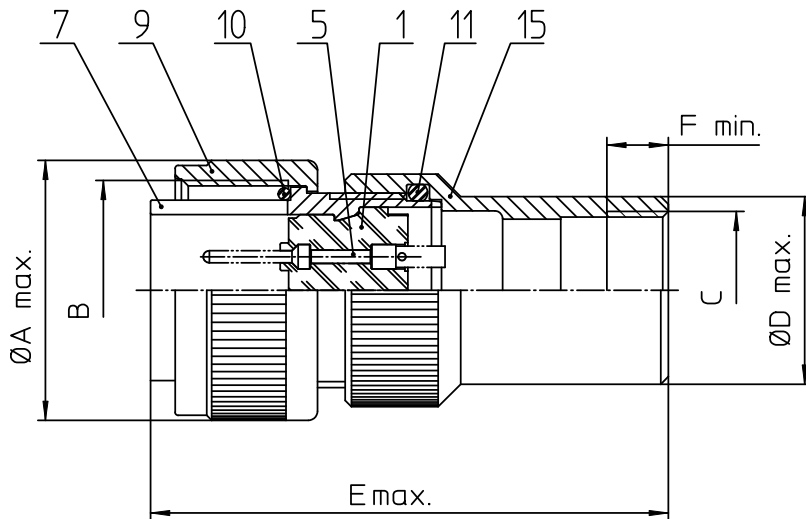
Stocking Distributor

Click to view price, real time Inventory, Delivery & Lifecycle Information:

[ITT Cannon, LLC](#)  
[CA06COMPG10SL-4P](#)

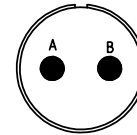
For any questions, you can email us directly:

[sales@integrated-circuit.com](mailto:sales@integrated-circuit.com)



NO.	MASSE / DIMENSION
A	24,1
B	5/8-24UNEF-2A
C	PG9
D	18
E	52
F	8

NO.	BESCHREIBUNG / DESCRIPTION
1	ISOLIERKÖRPER STIFT / INSULATOR PIN
5	KONTAKTSTIFT / CONTACT PIN
7	ZYLINDERGHÄUSE / BARREL
9	ÜBERWURFMUTTER / COUPLING NUT
10	DICHTRING FRONT / FRONT SEALING RING
11	O-RING ENDGEHÄUSE / O-RING ENDBELL
15	PG-ENDGEHÄUSE / PG-ENDBELL



Note: Due to an automatic nomenclature system, numbers generated may not be sequential.

Specification and Dimensions subject to change  
Drawings illustrate normal insulator positioning

**Material Specification:**

Shell Material: Aluminium alloy  
Shell Plating: Nickel plated  
Insulator Material: CR-Elastomere  
Contact Material: Copper alloy  
Contact Plating: Hard silver

**all dimensions are in mm**

Dimensions without tolerance indications are general tolerances in acc. with DIN7168m

drawing for  
CUSTOMER



description CA06COM-PG10SL-4P  
Plug, straight  
Endbell for PG cable gland termination  
Solder Cup / Pin / Layout: 10SL-4

© All rights reserved. Reproduction or issue to third in any form  
whatever is only permitted with written authorization of ITT Cannon

page 1/1 revision 480 3. Jul 16