

## Excellent Integrated System Limited

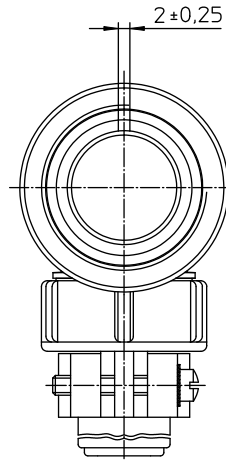
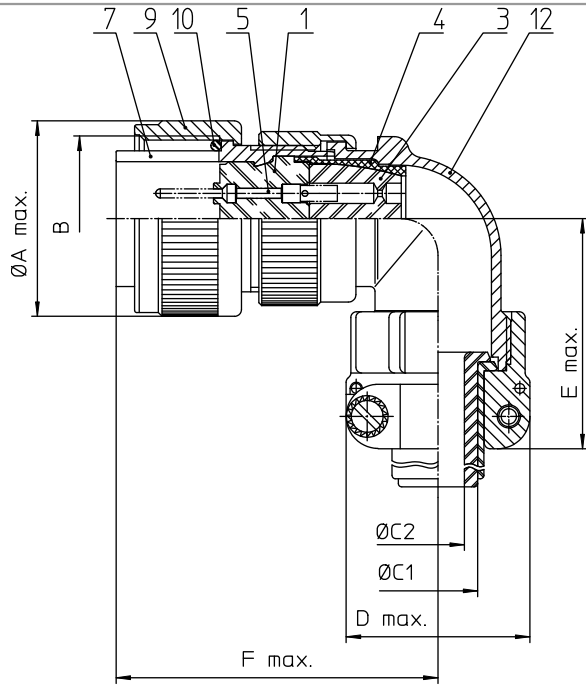
Stocking Distributor

Click to view price, real time Inventory, Delivery & Lifecycle Information:

[ITT Cannon, LLC](#)  
[CA08COME10SL-3P-44](#)

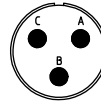
For any questions, you can email us directly:

[sales@integrated-circuit.com](mailto:sales@integrated-circuit.com)



NO.	MASSE / DIMENSION
A	24,1
B1	5/8-24UNEF-2A
B2	6,6
C	-
D	22,7
E	42
F	45

NO.	BESCHREIBUNG / DESCRIPTION
1	ISOLIERKÖRPER STIFT / INSULATOR PIN
3	DICHTKÖRPER / GROMMET
4	ENDRING / ENDRING
5	KONTAKTSTIFT / CONTACT PIN
7	ZYLINDERGHÄUSE / BARREL
9	ÜBERWURFMUTTER / COUPLING NUT
10	DICHTRING FRONT / FRONT SEALING RING
12	ENDGEHÄUSE / ENDBELL



Note: Due to an automatic nomenclature system, numbers generated may not be sequential.  
Specification and Dimensions subject to change  
Drawings illustrate normal insulator positioning

Material Specification:	
Shell Material:	Aluminium alloy
Shell Plating:	Nickel plated
Insulator Material:	CR-Elastomere
Contact Material:	Copper alloy
Contact Plating:	Hard silver

all dimensions are in mm  
Dimensions without tolerance indications are general tolerances in acc. with DIN7186m

drawing for  
CUSTOMER

 <b>ITT</b> <i>Engineered for life</i> <small>ITT Cannon, LLC                      1170 Woodloch Parkway</small>	description	CA08COM-E10SL-3P-44
	Plug 90° Endbell with female and grommet Solder Cup / Pin / Layout: 10SL-3	
<small>© All rights reserved. Reproduction or use in any form without the prior written permission of ITT Cannon is prohibited.</small>		page 1/1 revision 480 3. Jul 16