



Distributor of ITT Cannon, LLC: Excellent Integrated System Limited

Datasheet of CA08COME10SL-3S - CONN PLUG 3POS RT ANG W/SKTS

Contact us: sales@integrated-circuit.com Website: www.integrated-circuit.com

Excellent Integrated System Limited

Stocking Distributor

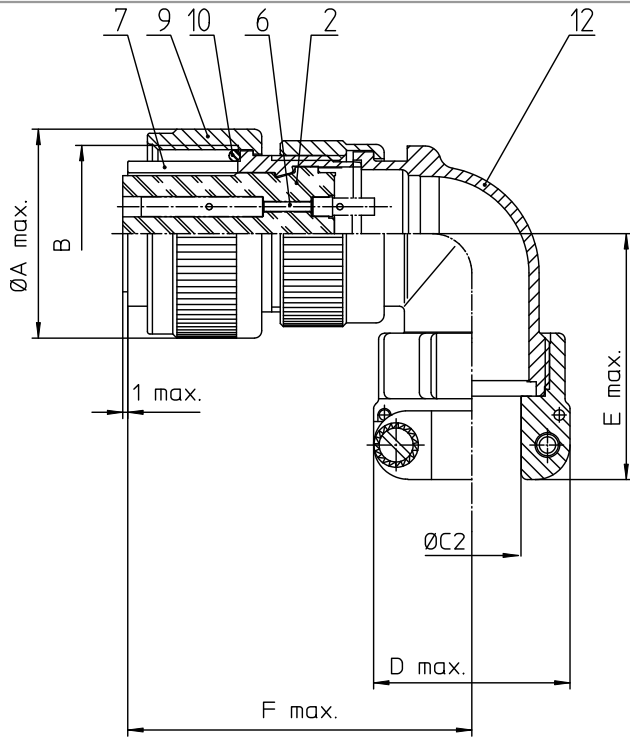
Click to view price, real time Inventory, Delivery & Lifecycle Information:

[ITT Cannon, LLC](#)

[CA08COME10SL-3S](#)

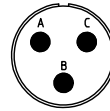
For any questions, you can email us directly:

sales@integrated-circuit.com



NO.	MASSE / DIMENSION
A	24,1
B	5/8-24UNEF-2A
C	7,9
D	22,7
E	42
F	45

NO.	BESCHREIBUNG / DESCRIPTION
2	ISOLIERKÖRPER BUCHSE / INSULATOR SOCKET
6	KONTAKTBUCHSE / CONTACT SOCKET
7	ZYLINDERGHÄUSE / BARREL
9	ÜBERWURFMUTTER / COUPLING NUT
12	ENDGEHÄUSE / ENDBELL



Note: Due to an automatic nomenclature system, numbers generated may not be sequential.

Specification and Dimensions subject to change
Drawings illustrate normal insulator positioning

Material Specification:

Shell Material: Aluminium alloy
Shell Plating: Nickel plated
Insulator Material: CR-Elastomere
Contact Material: Copper alloy
Contact Plating: Hard silver

all dimensions are in mm

Dimensions without tolerance indications are general tolerances in acc. with DIN7750



description CA08COM-E10SL-3S
Plug 90°
Endbell with clamp and bushing
Solder Cup / Socket / Layout: 10SL-3

drawing for
CUSTOMER

© All rights reserved. Reproduction or issue in any form without written authorization of ITT Cannon. page 1/1 revision 493-3, Jul 16