

## Excellent Integrated System Limited

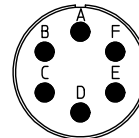
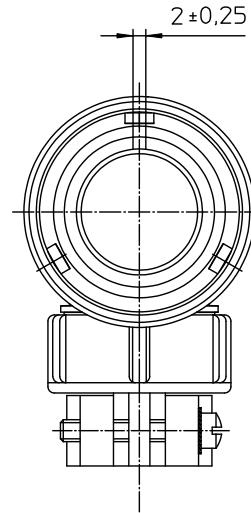
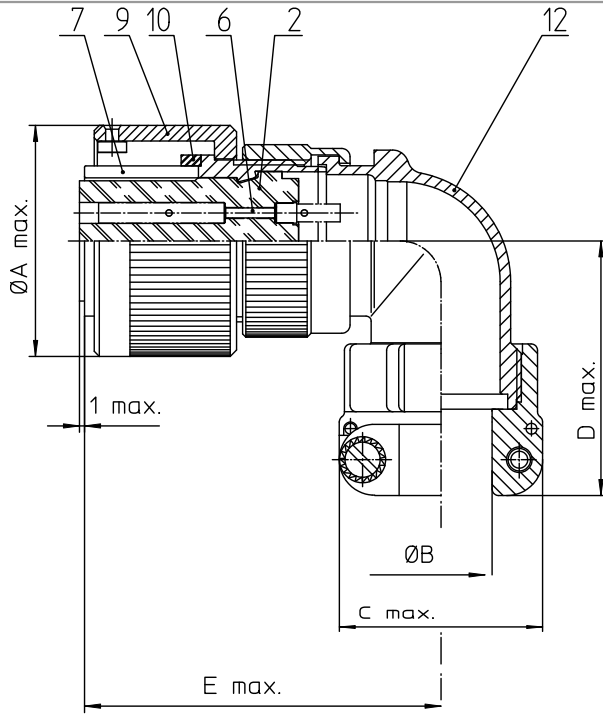
Stocking Distributor

Click to view price, real time Inventory, Delivery & Lifecycle Information:

[ITT Cannon, LLC](#)  
[CA08COME14S-6SB](#)

For any questions, you can email us directly:


[sales@integrated-circuit.com](mailto:sales@integrated-circuit.com)



| NO. | MASSE / DIMENSION |
|-----|-------------------|
| A   | 29,2              |
| B   | 11,1              |
| C   | 27,5              |
| D   | 42                |
| E   | 47                |

| NO. | BESCHREIBUNG / DESCRIPTION              |
|-----|---|
| 2   | ISOLIERKÖRPER BUCHSE / INSULATOR SOCKET |
| 6   | KONTAKTBUCHSE / CONTACT SOCKET          |
| 7   | ZYLINDERGHÄUSE / BARREL                 |
| 9   | ÜBERWURFMUTTER / COUPLING NUT           |
| 10  | DICHTRING FRONT / FRONT SEALING RING    |
| 12  | ENDGEHÄUSE / ENDBELL                    |

|  |                 |
|--|-----------------|
| Note: Due to an automatic nomenclature system, numbers generated may not be sequential.            |                 |
| Specification and Dimensions subject to change<br>Drawings illustrate normal insulator positioning |                 |
| Material Specification:  |                 |
| Shell Material:  | Aluminium alloy |
| Shell Plating:   | Nickel plated   |
| Insulator Material:  | CR-Elastomere   |
| Contact Material:  | Copper alloy    |
| Contact Plating:   | Hard silver     |

|   |  |
|---|--|
| all dimensions are in mm<br>Dimensions without tolerance indications are general tolerances in acc. with DIN7159m   | drawing for<br>CUSTOMER  |
| <br><b>ITT</b><br><i>Engineered for life</i><br><small>ITT CANNON GMBH<br/>D-71334 Weinstadt/Germany</small> | description CA08COM-E14S-6S-B<br>Plug 90°<br>Endbell with clamp and bushing<br>Solder Cup / Socket / Layout: 14S-6 |
| <small>© All rights reserved. Reproduction or issue to third in any form without the written authorization of ITT Cannon</small>  | page 01/1<br>revision 434.2, Jul 16  |