



Excellent Integrated System Limited

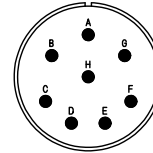
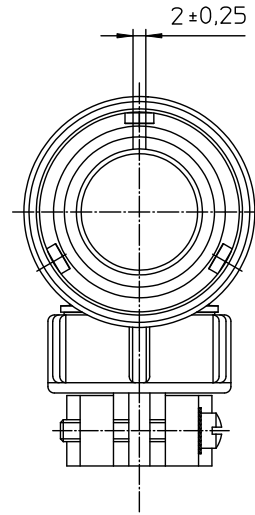
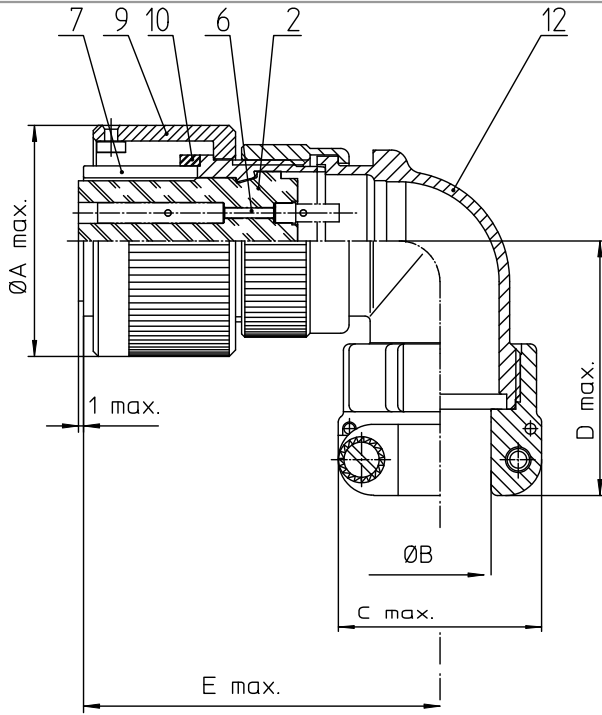
Stocking Distributor

Click to view price, real time Inventory, Delivery & Lifecycle Information:

[ITT Cannon, LLC](#)
[CA08COME20-7SB](#)

For any questions, you can email us directly:


sales@integrated-circuit.com



| NO. | MASSE / DIMENSION |
|-----|-------------------|
| A | 39,9 |
| B | 19 |
| C | 37,5 |
| D | 53 |
| E | 61 |

| NO. | BESCHREIBUNG / DESCRIPTION |
|-----|---|
| 2 | ISOLIERKÖRPER BUCHSE / INSULATOR SOCKET |
| 6 | KONTAKTBUCHSE / CONTACT SOCKET |
| 7 | ZYLINDERGHÄUSE / BARREL |
| 9 | ÜBERWURFMUTTER / COUPLING NUT |
| 10 | DICHTRING FRONT / FRONT SEALING RING |
| 12 | ENDGEHÄUSE / ENDBELL |

| | |
|--|-----------------|
| Note: Due to an automatic nomenclature system, numbers generated may not be sequential. | |
| Specification and Dimensions subject to change Drawings illustrate normal insulator positioning | |
| Material Specification: | |
| Shell Material: | Aluminium alloy |
| Shell Plating: | Nickel plated |
| Insulator Material: | CR-Elastomere |
| Contact Material: | Copper alloy |
| Contact Plating: | Hard silver |

| | | |
|---|--|-------------------------------------|
| all dimensions are in mm Dimensions without tolerance indications are general tolerances in acc. with DIN7158m | | drawing for CUSTOMER |
|  ITT <i>Engineered for life</i> <small>ITT CANNON GMBH D-71334 Weinstadt/Germany</small> | description CA08COM-E20-7S-B Plug 90° Endbell with clamp and bushing Solder Cup / Socket / Layout: 20-7 | |
| | <small>© All rights reserved. Reproduction or issue to third in any form without the written authorization of ITT Cannon</small> | page 01/1 revision 494.2, Jul 16 |