

Excellent Integrated System Limited

Stocking Distributor

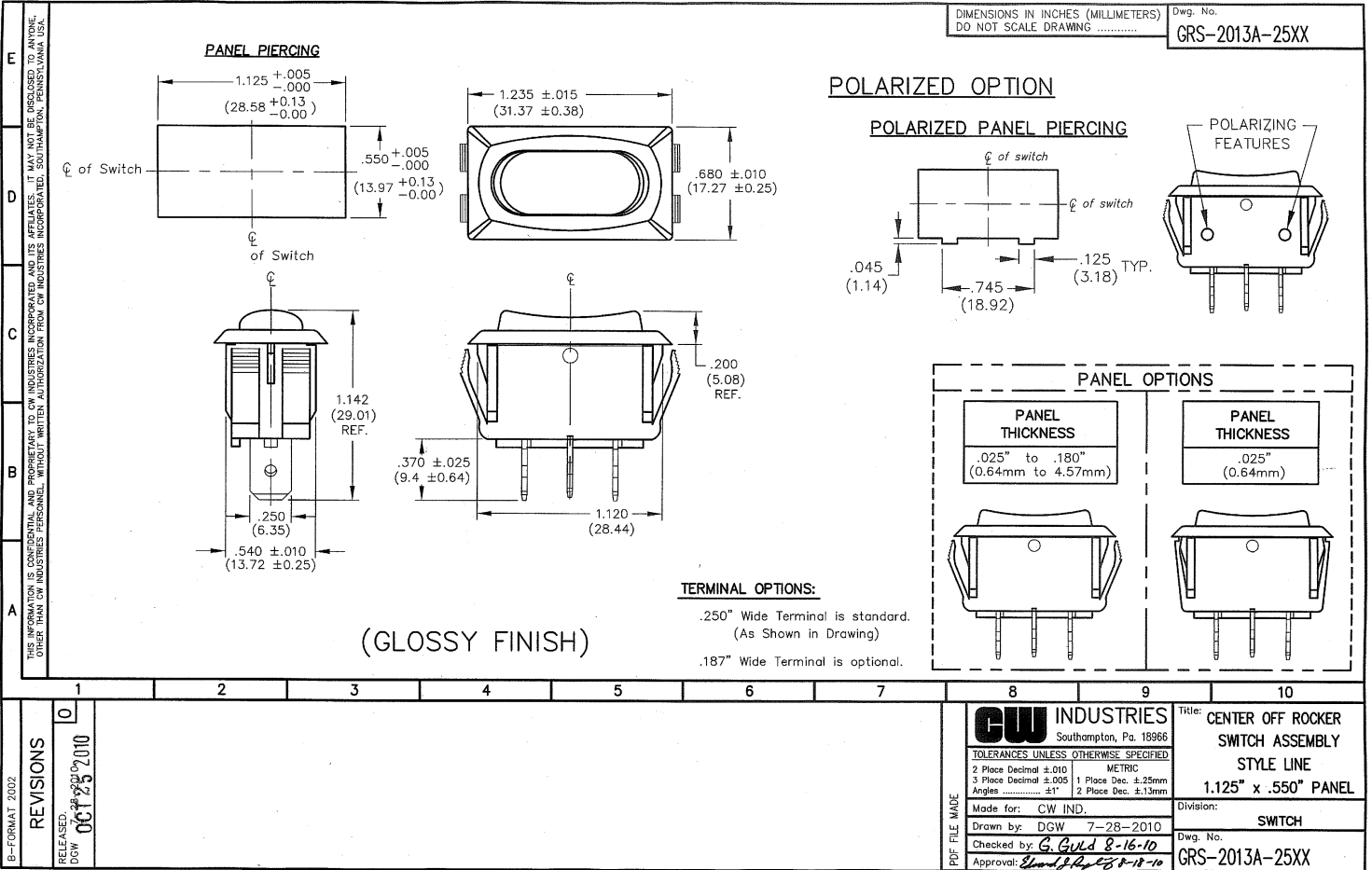
Click to view price, real time Inventory, Delivery & Lifecycle Information:

[CW Industries](#)

[GRS-2013A-2500](#)

For any questions, you can email us directly:

sales@integrated-circuit.com



E-FORMAT 2002

REVISIONS

RELEASED: **01/23/2010**

DCW

PDF FILE MADE	CW INDUSTRIES Southampton, Pa. 18966	Title: CENTER OFF ROCKER SWITCH ASSEMBLY
	TOLERANCES UNLESS OTHERWISE SPECIFIED	STYLE LINE
	2 Place Decimal ±.010 METRIC 3 Place Decimal ±.005 1 Place Dec. ±.25mm Angles ±1° 2 Place Dec. ±.13mm	1.125" x .550" PANEL
	Made for: CW IND.	Division: SWITCH
Drawn by: DGW 7-28-2010	Checked by: <i>G. Guld 8-16-10</i>	Dwg. No. GRS-2013A-25XX
Approval: <i>Edward J. ... 8-18-10</i>		

MASTER