



Distributor of AVX Corporation: Excellent Integrated System Limited

Datasheet of 609021031300339 - CONN SOCKET CONTACT

Contact us: sales@integrated-circuit.com Website: www.integrated-circuit.com

Excellent Integrated System Limited

Stocking Distributor

Click to view price, real time Inventory, Delivery & Lifecycle Information:

[AVX Corporation](#)
[609021031300339](#)

For any questions, you can email us directly:

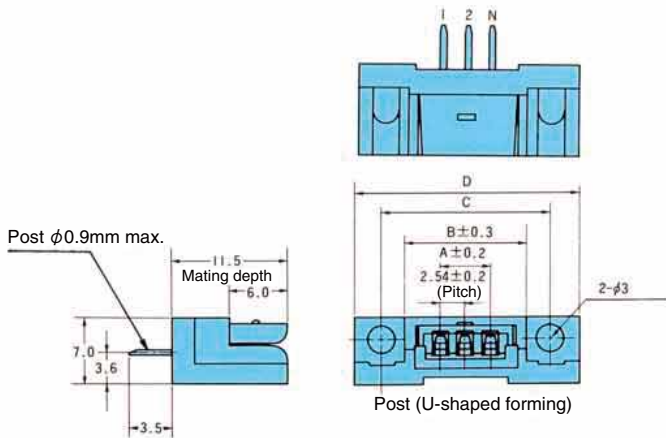
sales@integrated-circuit.com

SERIES

9021

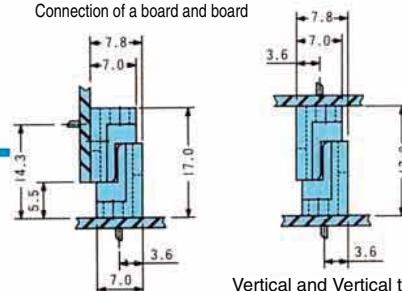
Single row type with flange for printed circuit boards

Vertical

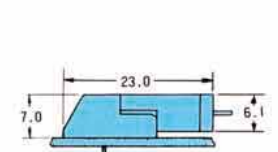


Mating dimensions

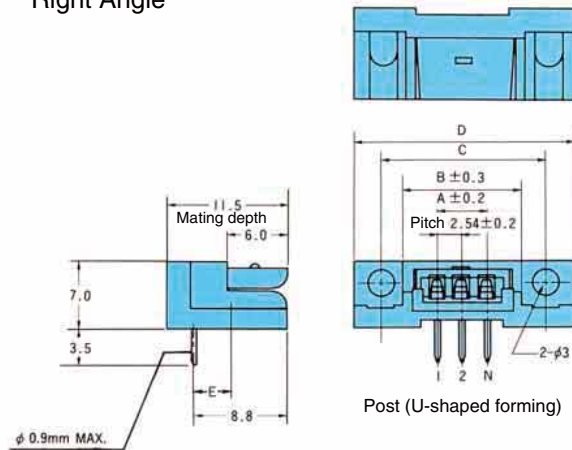
Connection of a board and board



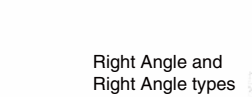
Connection of a board and crimped wire



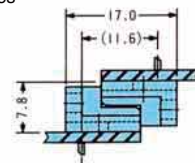
Right Angle



Vertical and Right Angle types

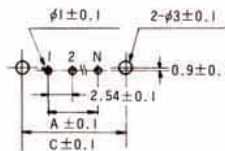


Vertical and Vertical types

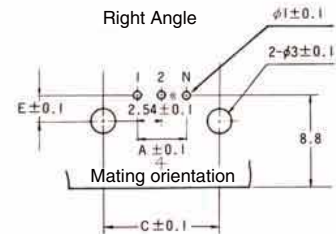


Mounting dimensions on the P.C.board

Vertical



Right Angle



No. of positions	A	B	C	D	E	Remarks
6	12.70	20.70	25.65	31.7	2.4	With the locking structure
12	27.94	35.94	40.89	46.9	2.4	
16	38.10	46.10	51.05	57.1	2.4	
20	48.26	56.26	61.21	67.3	3.3	No locking structure

Ordering code

Part number

00

9021

0613

00

339

No. of positions

6,12,16,20

Variation(Terminating type)

13 : Right Angle

14 : Vertical

Plating code

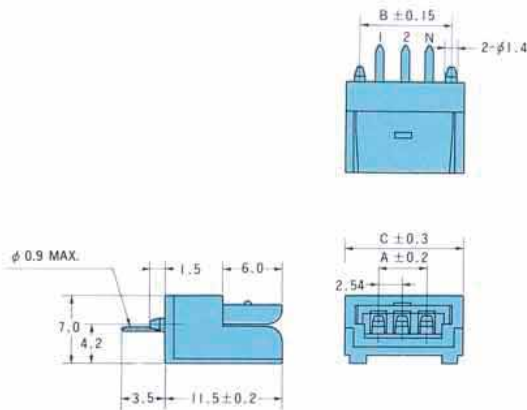
339 : Au plated

SERIES

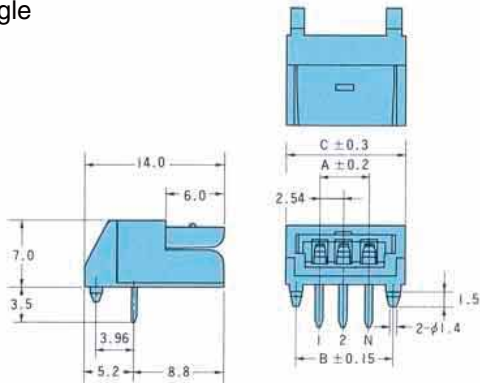
9021

Single row type with no flange for printed circuit boards

Vertical



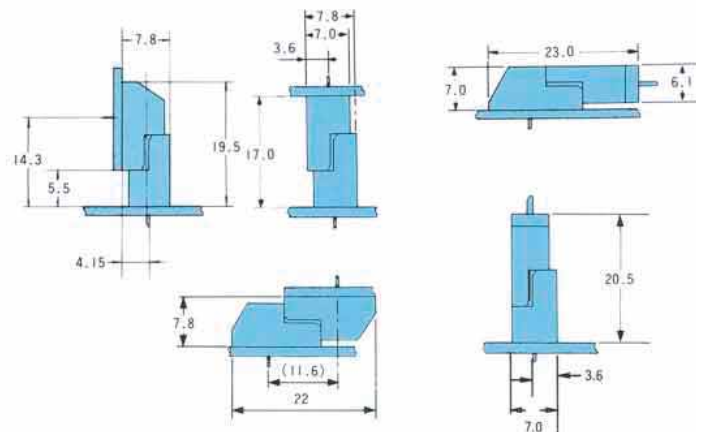
Right Angle



Mating dimensions

Connection of a board and board

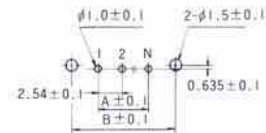
Connection of a board and crimped wire



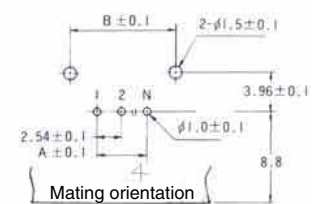
Mounting dimensions on the P.C.board

No. of positions	A	B	C	Remarks
2	2.54	7.62	10.54	With the locking structure
3	5.08	11.58	13.08	
4	7.62	12.70	15.62	
6	12.70	17.78	20.70	
8	17.78	22.86	25.78	
10	22.86	27.94	30.86	
12	27.94	33.02	35.94	
14	33.02	38.10	41.02	
16	38.10	43.18	46.10	
18	43.18	48.26	51.18	
20	48.26	53.34	56.26	

Vertical



Right Angle



Ordering code

Part number **00 9021 0211 00 339**

No. of positions

2,3,4,6,8,10,12,14,16,18,20

Variation(Terminating type)

11 : Right Angle

12 : Vertical (Note: 20Pos. is Right Angle type only.)

Plating code

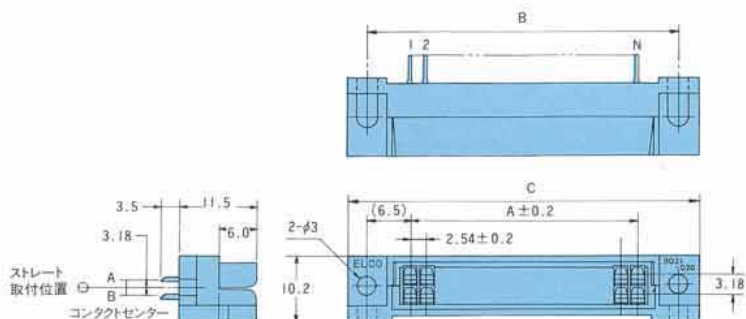
339 : Au plated

SERIES

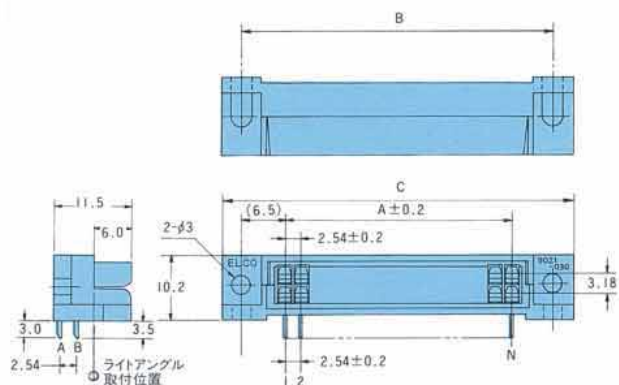
9021

Dual type for
printed circuit boards

Vertical

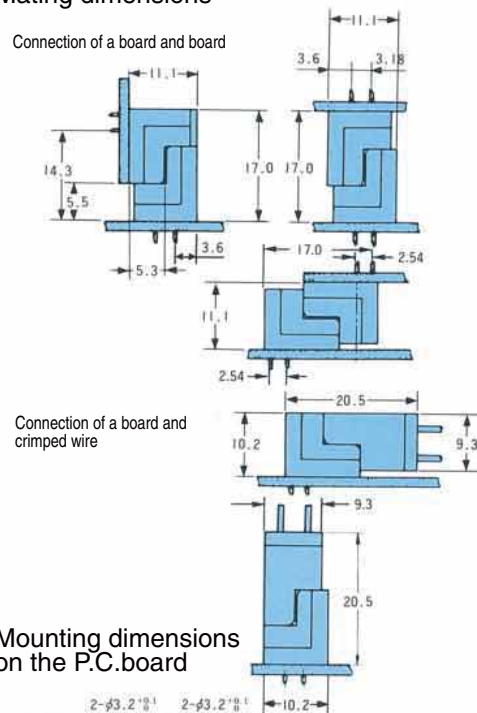


Right Angle

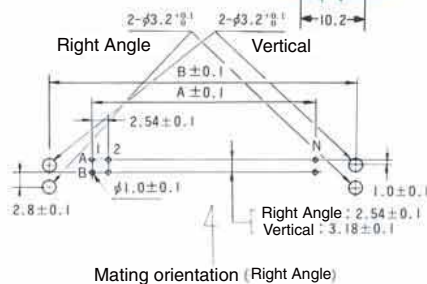


No. of positions	A	B	C
14 (7 / 7)	15.24	—	23.24
20 (10 / 10)	22.86	35.81	41.9
26 (13 / 13)	30.48	43.43	49.5
30 (15 / 15)	35.56	48.51	54.6
36 (18 / 18)	43.18	56.13	62.2
40 (20 / 20)	48.26	61.21	67.3

Mating dimensions



Mounting dimensions
on the P.C.board



Ordering code

Part number **00 9021 1421 00 339**

No. of positions
14,20,26,30,36,40

Variation(Terminating type)

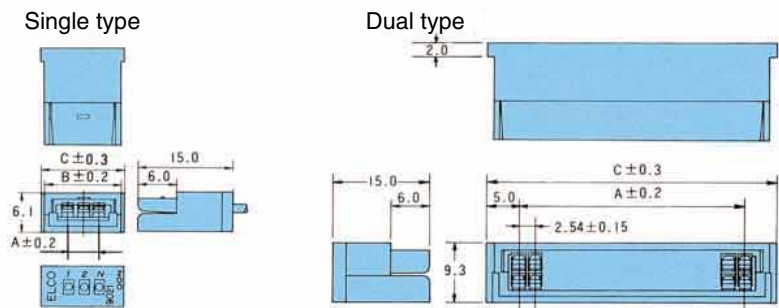
21	Right Angle type with no flange (only for 14-contact)
22	Vertical type with no flange (only for 14-contact)
23	Right Angle type with the flange
24	Vertical type with the flange

Plating code

339 : Au plated

SERIES
9021
Insulator

Crimp type



Single type

No. of positions	A	B	C
2	2.54	10.54	12.5
3	5.08	13.08	15.1
4	7.62	15.62	17.6
6	12.70	20.70	22.7
8	17.78	25.78	27.8
10	22.86	30.86	32.9
12	27.94	35.94	37.9
14	33.02	41.02	43.0
16	38.10	46.10	48.1
18	43.18	51.18	53.2
20	48.26	56.26	58.2

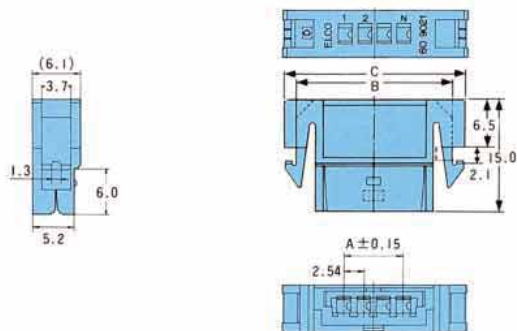
Dual type

No. of positions	A	C
14 (7/ 7)	15.24	23.30 *
20 (10/10)	22.86	32.86
26 (13/13)	30.48	40.48
30 (15/15)	35.56	45.56
36 (18/18)	43.18	53.18
40 (20/20)	48.26	58.26

*with no flange

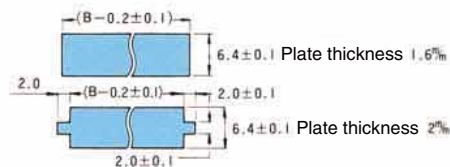
(Note) the location of flange for 14-position type is different from others.

Panel mounted type



No. of positions	A	B	C
2	2.54	15.74	19.34
3	5.08	18.28	21.88
4	7.62	20.82	24.42
6	12.70	25.90	29.50
8	17.78	30.98	34.58
10	22.86	36.06	39.66
12	27.94	41.14	44.74

Shape of the panel to be mounted



Ordering code

Crimp type

Part number **60 9021 3024 10 000**

No. of positions

Single type : **2,3,4,6,8,10,12,14,16,18,20**

Dual type : **14,20,26,30,36,40**

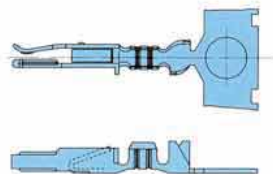
Variation

1 : Single type

2 : Dual type

Color code

000 : Green



Panel mounted type

Part number **60 9021 3028 16 000**

No. of positions

2,3,4,6,8,10,12

Color code

000:Green 001:White 002:Black

Contact

Part number **60 9021 0313 00 339**

Variation

0313 00 : Contacts loose

0323 99 : Reeled Contacts(10,000 contacts per reel)

Plating code

339 : Au plated