

Excellent Integrated System Limited

Stocking Distributor

Click to view price, real time Inventory, Delivery & Lifecycle Information:

[Texas Instruments](#)
[LM4545VH](#)

For any questions, you can email us directly:

sales@integrated-circuit.com

LM4545

LM4545 AC '97 Codec with Stereo Headphone Amplifier and National 3D Sound



Literature Number: SNOS015



PRELIMINARY
July 1999

LM4545

AC '97 Codec with Stereo Headphone Amplifier and National 3D Sound

General Description

The LM4545 is an audio codec for PC systems which performs the analog-intensive function of the Analog Codec '97 Rev 1.03 Architecture. Using 18-Bit $\Sigma\Delta$ A/D and D/A converters, the LM4545 provides 90dB of dynamic range.

The LM4545 was designed specifically to provide a high quality audio path and provide all analog functionality in a PC audio system. It features full duplex stereo A/D's and D/A's and an analog mixer with 4 stereo and 3 mono inputs, each of which has separate gain, attenuation and mute control. In addition, the LM4545 provides a stereo headphone amplifier with an independent gain control and National's 3D Sound stereo enhancement technology.

The LM4545 features AC-Link, a synchronous, fixed rate serial bus for connection to the digital AC '97 Controller. The separation of the analog and digital functions of the AC '97 architecture allows for system design flexibility and increased overall performance.

Key Specifications

- Analog Mixer Dynamic Range 95dB (typ)
- D/A Dynamic Range 89dB (typ)
- A/D Dynamic Range 90dB (typ)
- Headphone THD+N at 50mW into 32 Ω 0.02% (typ)

Features

- Audio Codec '97 compliant
- Stereo 18-Bit $\Sigma\Delta$ A/D's and D/A's with 128X oversampling
- Stereo headphone amp with separate gain control
- National's 3D Sound circuitry
- Power management support
- Digital Interface 3V and 5V compliant

Applications

- Desktop PC Audio Systems
- Portable PC Audio Systems
- Mobile PC Audio Solutions

Block Diagram

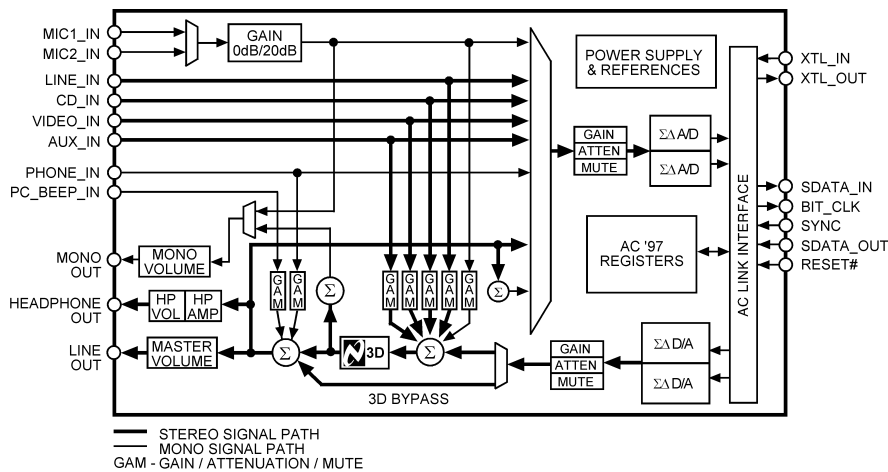


FIGURE 1. LM4545 Block Diagram

DS100069-1

LM4545 AC '97 Codec with Stereo Headphone Amplifier and National 3D Sound

Absolute Maximum Ratings (Note 3)

If Military/Aerospace specified devices are required, please contact the National Semiconductor Sales Office/ Distributors for availability and specifications.

Supply Voltage	6.0V
Storage Temperature	-65°C to +150°C
Input Voltage	-0.3V to V _{DD} +0.3V
ESD Susceptibility (Note 5)	2500V
pins 27, 28, 40	1500V
pin 3	750V
ESD Susceptibility (Note 6)	200V
pin 3	100V
Junction Temperature	150°C
Soldering Information	

TQFP Package

Vapor Phase (60 sec.) 215°C

Infrared (15 sec.) 220°C

See AN-450 "Surface Mounting and their Effects on Product Reliability" for other methods of soldering surface mount devices.

θ_{JA} (typ) — VBH48A 74°C/W

Operating Ratings

Temperature Range

$T_{MIN} \leq T_A \leq T_{MAX}$ -40°C ≤ T_A ≤ 85°C

Analog Supply Range 4.2V ≤ AV_{DD} ≤ 5.5V

Digital Supply Range 3.0V ≤ DV_{DD} ≤ 5.5V

Electrical Characteristics (Notes 1, 3)

The following specifications apply for AV_{DD} = 5V, DV_{DD} = 5V unless otherwise noted. Limits apply for T_A = 25°C. The reference for 0dB is 1V_{rms} unless otherwise specified.

Symbol	Parameter	Conditions	LM4545		Units (Limits)
			Typical (Note 7)	Limit (Note 8)	
AV _{DD}	Analog Supply Range			4.2	V (min)
				5.5	V (max)
DV _{DD}	Digital Supply Range			3.0	V (min)
				5.5	V (max)
I _{DDD}	Digital Quiescent Power Supply Current	D _{VDD} = 5V	38		mA
		D _{VDD} = 3.3V	20		mA
I _{DDA}	Analog Quiescent Power Supply Current		55		mA
I _{SD}	Shutdown Current		1.5		mA
V _{REF}	Reference Voltage		2.23		V
PSRR	Power Supply Rejection Ratio		40		dB
Analog Loophru Mode					
	Dynamic Range (Note 2)	CD Input to Line Output, -60dB Input THD+N, A-Weighted	95	90	dB (min)
THD	Total Harmonic Distortion	V _O = -3dB, f = 1kHz, R _L = 10kΩ	0.01	0.02	% (max)
Analog Input Section					
V _{IN}	Line Input Voltage		1		V _{rms}
	Mic Input with 20dB Gain		0.1		V _{rms}
	Mic Input with 0dB Gain		1		V _{rms}
Xtalk	Crosstalk	CD Left to Right	-85	-70	dB (max)
Z _{IN}	Input Impedance		40	10	kΩ (min)
C _{IN}	Input Capacitance		15		pF
	Interchannel Gain Mismatch	CD Left to Right	0.04		dB
Record Gain Amplifier - A/D					
A _S	Step Size	0dB to 22.5dB	1.5		dB
Mixer Section					
A _S	Step Size	+12dB to -34.5dB	1.5		dB
A _M	Mute Attenuation		86		dB
Analog to Digital Converters					
	Resolution		18		Bits

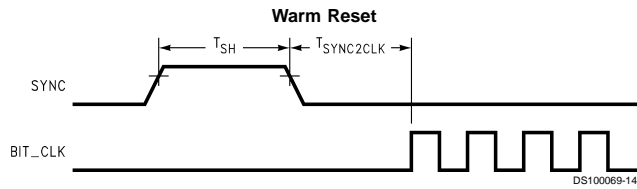
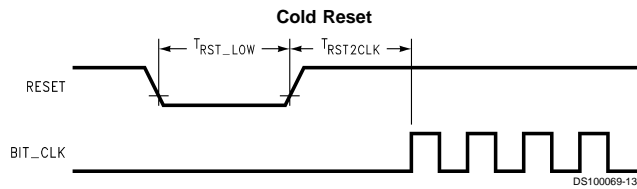
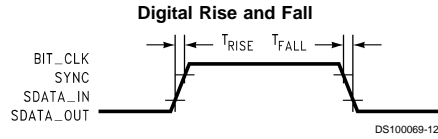
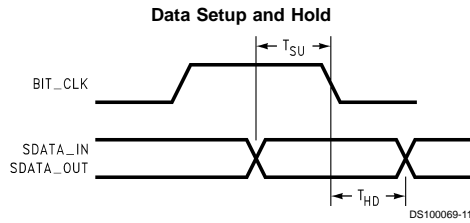
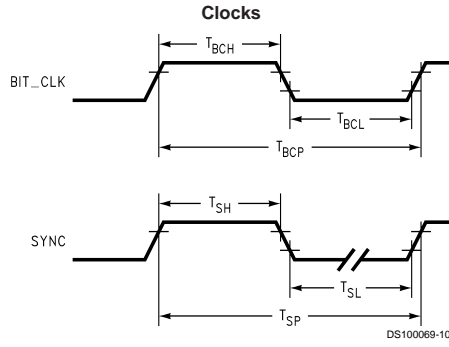
Electrical Characteristics (Notes 1, 3) (Continued)

The following specifications apply for $V_{DD} = 5V$, $DV_{DD} = 5V$ unless otherwise noted. Limits apply for $T_A = 25^\circ C$. The reference for 0dB is 1Vrms unless otherwise specified.

Symbol	Parameter	Conditions	LM4545		Units (Limits)
			Typical (Note 7)	Limit (Note 8)	
Analog to Digital Converters					
	Dynamic Range (Note 2)	-60dB Input THD+N, A-Weighted	90	75	dB (min)
	Frequency Response	-1dB Bandwidth	20		kHz
Digital to Analog Converters					
	Resolution		18		Bits
	Dynamic Range (Note 2)	-60dB Input THD+N, A-Weighted	89	85	dB (min)
THD	Total Harmonic Distortion	$V_{IN} = -3dB$, $f=1kHz$, $R_L = 10k\Omega$	0.01	0.03	% (max)
	Frequency Response	-1dB Bandwidth	21		kHz
	Group Delay (Note 2)			1	mS (max)
	Out of Band Energy		-40		dB
	Stop Band Rejection		70		dB
D_T	Discrete Tones		-96		dB
Output Volume and Amplifier Section					
A_S	Step Size	0dB to -46.5dB	1.5		dB
A_M	Mute Attenuation		86		dB
THD+N	Headphone Amplifier Total Harmonic Distortion plus Noise	Loophtru Mode, $R_L = 32\Omega$, $f=1kHz$, $P_{OUT} = 50mW$	0.02		%
Digital I/O (Note 2)					
V_{IL}	Low level input voltage			0.30 x DVDD	V (max)
V_{HI}	High level input voltage			0.40 x DVDD	V (min)
V_{OH}	High level output voltage			0.50 x DVDD	V (min)
V_{OL}	Low level output voltage			0.20 x DVDD	V (max)
I_L	Input Leakage Current	AC Link inputs		± 10	μA (max)
I_L	Tri state Leakage Current	High impedance AC Link outputs		± 10	μA (max)
I_{DR}	Output drive current	AC Link outputs	5		mA
Digital Timing Specifications (Note 2)					
F_{BC}	BIT_CLK frequency		12.288		MHz
T_{BCP}	BIT_CLK period		81.4		nS
T_{CH}	BIT_CLK high	Variation of BIT_CLK period from 50% duty cycle		± 20	% (max)
F_{SYNC}	SYNC frequency		48		kHz
T_{SP}	SYNC period		20.8		μS
T_{SH}	SYNC high pulse width		1.3		μS
T_{SL}	SYNC low pulse width		19.5		μS
T_{SETUP}	Setup Time	SDATA_IN, SDATA_OUT to falling edge of BIT_CLK		15	nS (min)
T_{HOLD}	Hold Time	Hold time of SDATA_IN, SDATA_OUT from falling edge of BIT_CLK		5	nS (min)
T_{RISE}	Rise Time	BIT_CLK, SYNC, SDATA_IN or SDATA_OUT		6	nS (max)
T_{FALL}	Fall Time	BIT_CLK, SYNC, SDATA_IN or SDATA_OUT		6	nS (max)
T_{RST_LOW}	RESET# active low pulse width	For cold reset		1.0	μS (min)

Electrical Characteristics (Notes 1, 3) (Continued)					
The following specifications apply for AV _{DD} = 5V, DV _{DD} = 5V unless otherwise noted. Limits apply for T _A = 25°C. The reference for 0dB is 1Vrms unless otherwise specified.					
Symbol	Parameter	Conditions	LM4545		Units (Limits)
			Typical (Note 7)	Limit (Note 8)	
Digital Timing Specifications (Note 2)					
T _{RST2CLK}	RESET# inactive to BIT_CLK start up	For cold reset		162.8	nS (min)
T _{SH}	SYNC active high pulse width	For warm reset	1.3		μS
T _{SYNC2CLK}	SYNC inactive to BIT_CLK start up	For warm reset		162.8	nS (min)
T _{SU2RST}	Setup to trailing edge of RESET#	For ATE Test Mode		15	nS (min)
T _{RST2HZ}	Rising edge of RESET# to Hi-Z	For ATE Test Mode		25	nS (max)
<p>Note 1: All voltages are measured with respect to the ground pin, unless otherwise specified.</p> <p>Note 2: These specifications are guaranteed by design and characterization; they are not production tested.</p> <p>Note 3: <i>Absolute Maximum Ratings</i> indicate limits beyond which damage to the device may occur. <i>Operating Ratings</i> indicate conditions for which the device is functional, but do not guarantee specific performance limits. <i>Electrical Characteristics</i> state DC and AC electrical specifications under particular test conditions which guarantee specific performance limits. This assumes that the device is within the Operating Ratings. Specifications are not guaranteed for parameters where no limit is given, however, the typical value is a good indication of device performance.</p> <p>Note 4: The maximum power dissipation must be derated at elevated temperatures and is dictated by T_{JMAX}, θ_{JA}, and the ambient temperature T_A. The maximum allowable power dissipation is P_{DMAX} = (T_{JMAX} - T_A) / θ_{JA} or the number given in Absolute Maximum Ratings, whichever is lower. For the LM4545, T_{JMAX} = 150°C. The typical junction-to-ambient thermal resistance is 74°C/W for package number VBH48A.</p> <p>Note 5: Human body model, 100 pF discharged through a 1.5 kΩ resistor.</p> <p>Note 6: Machine Model, 220 pF–240 pF discharged through all pins.</p> <p>Note 7: Typicals are measured at 25°C and represent the parametric norm.</p> <p>Note 8: Limits are guaranteed to National's AOQL (Average Outgoing Quality Level).</p>					

Timing Diagrams



Typical Application

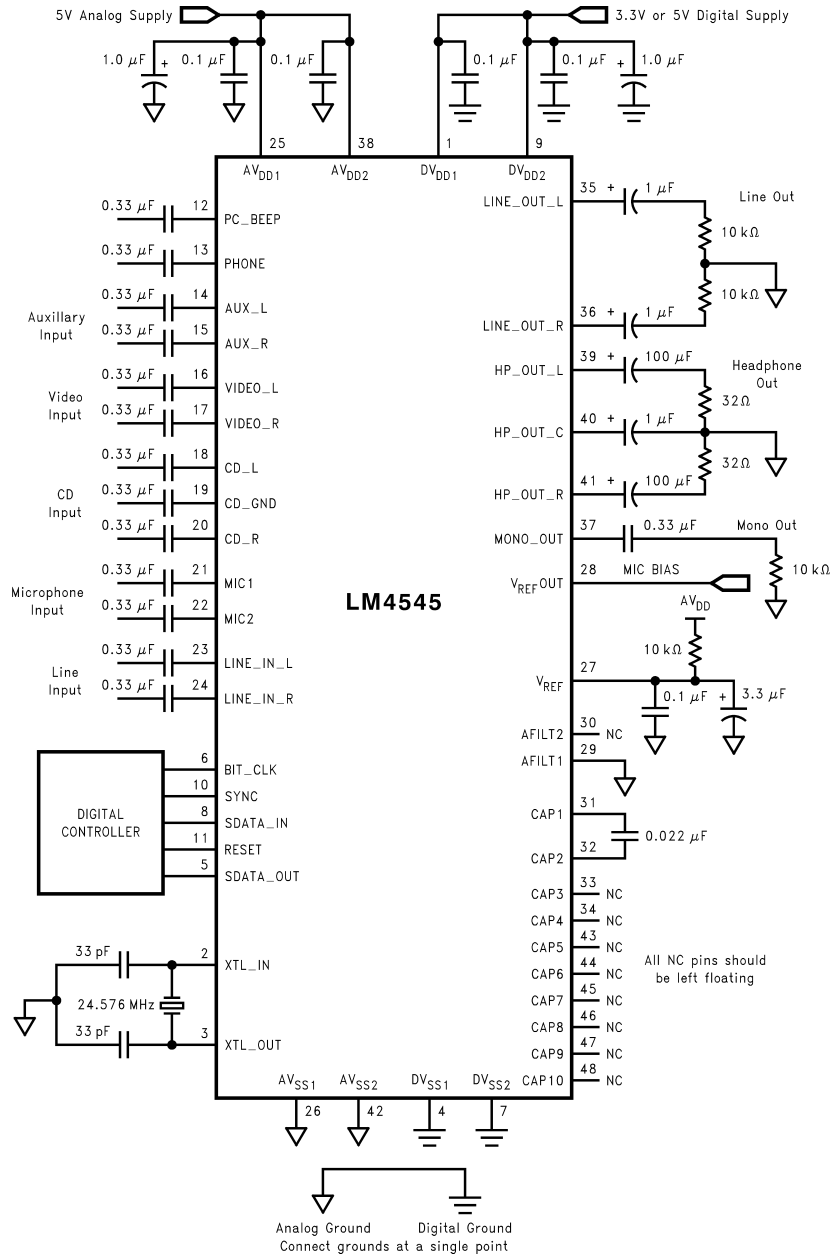
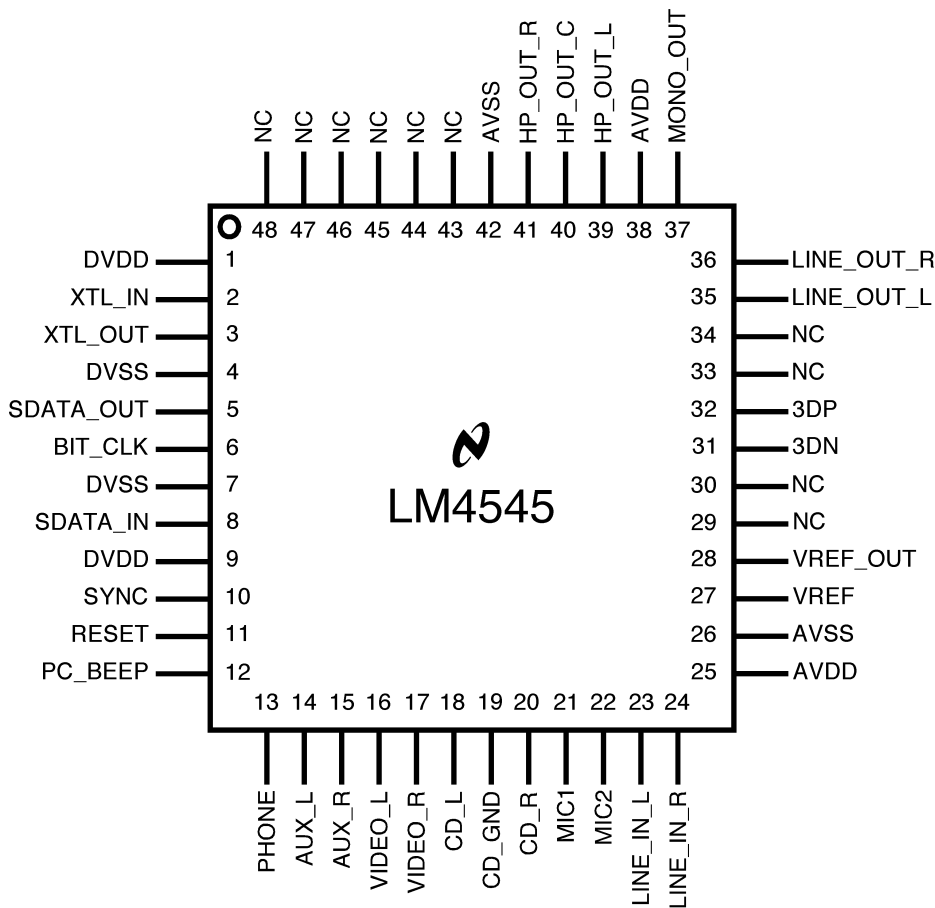


FIGURE 2. LM4545 Typical Application Circuit

DS100069-3

Connection Diagram



DS100069-2

Top View
 Order Number LM4545VH
 See NS Package Number VBH48A

Pin Descriptions

Analog I/O

Name	Pin	I / O	Functional Description
PC_BEEP	12	I	This is a mono input which gets summed into both the stereo line and stereo headphone output after the the National 3D Sound block. The PC_BEEP level can be adjusted from 0dB to -45dB in 3dB steps, or muted, via register 0Ah.
PHONE	13	I	This is a mono input which gets summed into both the stereo line output after the the National 3D Sound block. The PHONE level can be adjusted from +12dB to -34.5dB in 1.5dB steps as well as muted via register 0Ch.
AUX_L	14	I	This line level input can be routed through the Input Mux and recorded by the left ADC. In addition, this analog input gets summed into the left output stream. The amount of AUX_L signal mixed in the left output stream can be adjusted from +12dB to -34.5dB in 1.5dB steps as well as muted via register 16h.

Pin Descriptions (Continued)			
Analog I/O (Continued)			
Name	Pin	I / O	Functional Description
AUX_R	15	I	This line level input can be routed through the Input Mux and recorded by the right ADC. In addition, this analog input gets summed into the right output stream. The amount of AUX_R signal mixed in the right output stream can be adjusted from +12dB to -34.5dB in 1.5dB steps as well as muted via register 16h.
VIDEO_L	16	I	This line level input can be routed through the Input Mux and recorded by the left ADC. In addition, this analog input gets summed into the left output stream. The amount of VIDEO_L signal mixed in the left output stream can be adjusted from +12dB to -34.5dB in 1.5dB steps as well as muted via register 14h.
VIDEO_R	17	I	This line level input can be routed through the Input Mux and recorded by the right ADC. In addition, this analog input gets summed into the right output stream. The amount of VIDEO_R signal mixed in the right output stream can be adjusted from +12dB to -34.5dB in 1.5dB steps as well as muted via register 14h.
CD_L	18	I	This line level input can be routed through the Input Mux and recorded by the left ADC. In addition, this analog input gets summed into the left output stream. The amount of CD_L signal mixed in the left output stream can be adjusted from +12dB to -34.5dB in 1.5dB steps as well as muted via register 12h.
CD_GND	19	I	This input can be used to reject common mode signals on the CD_L or CD_R inputs. CD_GND is an AC ground point not DC ground point. Thus, this input must be capacitively coupled and not directly coupled to analog ground.
CD_R	20	I	This line level input can be routed through the Input Mux and recorded by the right ADC. In addition, this analog input gets summed into the right output stream. The amount of CD_R signal mixed in the right output stream can be adjusted from +12dB to -34.5dB in 1.5dB steps as well as muted via register 12h.
MIC1	21	I	Either MIC1 or MIC2 can be selected via software and routed through the Input Mux for recording. The 20dB boost circuit is enabled/disabled via register 0Eh. Also, the amount of mic signal mixed in the output stream can be adjusted from +12dB to -34.5dB in 1.5dB steps as well as muted via register 0Eh.
MIC2	22	I	Either MIC1 or MIC2 can be selected via software and routed through the Input Mux for recording. The 20dB boost circuit is enabled/disabled via register 0Eh. Also, the amount of mic signal mixed in the output stream can be adjusted from +12dB to -34.5dB in 1.5dB steps as well as muted via register 0Eh.
LINE_IN_L	23	I	This line level input can be routed through the Input Mux and recorded by the left ADC. In addition, this analog input gets summed into the left output stream. The amount of LINE_IN_L signal mixed in the left output stream can be adjusted from +12dB to -34.5dB in 1.5dB steps as well as muted via register 10h.
LINE_IN_R	24	I	This line level input can be routed through the Input Mux and recorded by the right ADC. In addition, this analog input gets summed into the right output stream. The amount of LINE_IN_R signal mixed in the right output stream can be adjusted from +12dB to -34.5dB in 1.5dB steps as well as muted via register 10h.
LINE_OUT_L	35	O	This is a post-mixed output for the left audio channel. The level of this output can be adjusted from 0dB to -45dB in 1.5dB steps as well as muted via register 02h.
LINE_OUT_R	36	O	This is a post-mixed output for the right audio channel. The level of this output can be adjusted from 0dB to -45dB in 1.5dB steps as well as muted via register 02h.
MONO_OUT	37	O	This line level output is either the post-mixed output or the mic input. The level of this output can be adjusted from 0dB to -45dB in 1.5dB steps as well as muted via register 06h.
HP_OUT_L	39	O	This is a post-mixed output for the left audio channel. The level of this output can be adjusted from 0dB to -45dB in 1.5dB steps as well as muted via register 04h. HP_OUT_L has a nominal gain of 9dB with respect to the left output mixer level and is designed for driving a 32Ω impedance with minimal distortion.
HP_OUT_C	40	I	This input can be used to reject common mode signals on the headphone outputs. CD_GND is an AC ground point not DC ground point. Thus, this input must be capacitively coupled (not directly coupled) to analog ground.

Pin Descriptions (Continued)

Analog I/O (Continued)

Name	Pin	I / O	Functional Description
HP_OUT_R	41	O	This is a post-mixed output for the right audio channel. The level of this output can be adjusted from 0dB to -45dB in 1.5dB steps as well as muted via register 04h. HP_OUT_R has a nominal gain of 9dB with respect to the right output mixer level and is designed for driving a 32Ω impedance with minimal distortion.

Digital I/O and Clocking

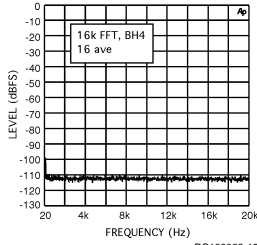
Name	Pin	I / O	Functional Description
XTL_IN	2	I	24.576 MHz crystal input. Use a fundamental-mode type crystal. When operating from a crystal, a 1MΩ resistor must be connected across pins 2 and 3.
XTL_OUT	3	O	24.576 MHz crystal output. When operating from a crystal, a 1MΩ resistor must be connected across pins 2 and 3.
SDATA_OUT	5	I	This data stream contains both control data and DAC audio data. This input is sampled by the LM4545 on the falling edge of BIT_CLK.
BIT_CLK	6	O	12.288 MHz clock which is derived (divide by two) from the 24.576MHz crystal input (XTL_IN).
SDATA_IN	8	O	This data stream contains both control data and ADC audio data. This output is clocked out by the LM4545 on the rising edge of BIT_CLK.
SYNC	10	I	48kHz sync pulse which signifies the beginning of both the SDATA_IN and SDATA_OUT serial streams. SYNC must be synchronous to BIT_CLK.
RESET#	11	I	This active low signal causes a hardware reset which returns the control registers to their default conditions.

Power Supplies and References

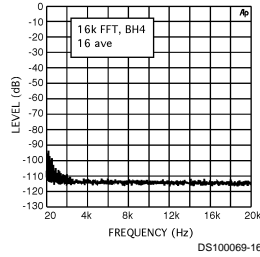
Name	Pin	I / O	Functional Description
AVDD	25,38	I	Analog supply pins.
AVSS	26,42	I	Analog ground pins.
DVDD	1,9	I	Digital supply pins.
DVSS	4,8	I	Digital ground pins.
VREF	27	O	Nominal 2.2V reference output. Not intended to sink or source current. Bypassing of this pin should be done with short traces to maximize performance.
VREFOUT	28	O	Nominal 2.2V reference output. Can source up to 5mA of current and can be used to bias a microphone. Do not connect any external capacitance to this pin.
AFILT1	29	O	This pin is not used and should be left open (NC). However, a capacitor to ground on this pin is permitted as it will not affect performance.
AFILT2	30	O	This pin is not used and should be left open (NC). However, a capacitor to ground on this pin is permitted as it will not affect performance.
3DP,3DN	31,32	O	These pins are used to complete the National 3D Sound circuit. Connect a 0.022μF capacitor between pins 3DP and 3DN. The National 3D Sound can be turned on and off via control register 20h. This is a fixed-depth type stereo enhance circuit, thus writing to register 22h has no effect. If National 3D Sound is not desired, then these pins should be left as no connect (NC).

Typical Performance Characteristics

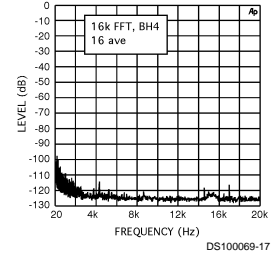
ADC Noise Floor



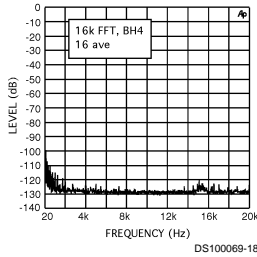
DAC Noise Floor



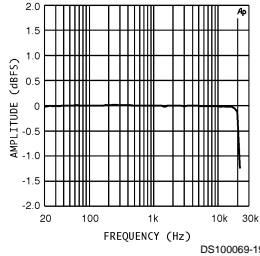
Headphone Amplifier - Noise Floor



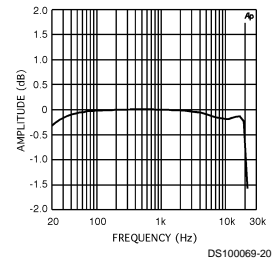
Analog Loopthru Noise Floor



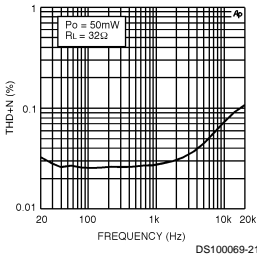
ADC Frequency Response



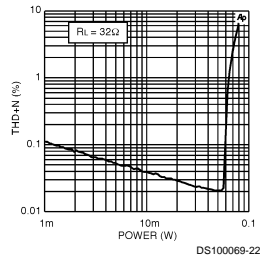
DAC Frequency Response



Headphone Amplifier - THD+N vs Frequency



Headphone Amplifier - THD+N vs Output Power



Register Map

REG	Name	D15	D14	D13	D12	D11	D10	D9	D8	D7	D6	D5	D4	D3	D2	D1	D0	Default
00h	Reset	X	0	0	0	1	1	0	1	0	1	0	1	0	0	0	0	0d50h
02h	Master Volume	Mute	X	X	ML4	ML3	ML2	ML1	ML0	X	X	X	MR4	MR3	MR2	MR1	MR0	8008h
04h	Headphone Volume	Mute	X	X	ML4	ML3	ML2	ML1	ML0	X	X	X	MR4	MR3	MR2	MR1	MR0	8000h
06h	Master Volume Mono	Mute	X	X	X	X	X	X	X	X	X	X	MM4	MM3	MM2	MM1	MM0	8000h
08h	Reserved	X	X	X	X	X	X	X	X	X	X	X	X	X	X	X	X	X
0Ah	PC_BEEP Volume	Mute	X	X	X	X	X	X	X	X	X	X	PV3	PV2	PV1	PV0	X	8008h
0Ch	Phone Volume	Mute	X	X	X	X	X	X	X	X	X	X	GN4	GN3	GN2	GN1	GN0	8008h
0Eh	Mic Volume	Mute	X	X	X	X	X	X	X	X	20dB	X	GN4	GN3	GN2	GN1	GN0	8008h
10h	Line In Volume	Mute	X	X	GL4	GL3	GL2	GL1	GL0	X	X	X	GR4	GR3	GR2	GR1	GR0	8808h
12h	CD Volume	Mute	X	X	GL4	GL3	GL2	GL1	GL0	X	X	X	GR4	GR3	GR2	GR1	GR0	8808h
14h	Video Volume	Mute	X	X	GL4	GL3	GL2	GL1	GL0	X	X	X	GR4	GR3	GR2	GR1	GR0	8808h
16h	Aux Volume	Mute	X	X	GL4	GL3	GL2	GL1	GL0	X	X	X	GR4	GR3	GR2	GR1	GR0	8808h
18h	PCM Out Vol	Mute	X	X	GL4	GL3	GL2	GL1	GL0	X	X	X	GR4	GR3	GR2	GR1	GR0	8808h
1Ah	Record Select	X	X	X	X	X	SL2	SL1	SL0	X	X	X	X	X	SR2	SR1	SR0	0000h
1Ch	Record Gain	Mute	X	X	X	GL3	GL2	GL1	GL0	X	X	X	X	GR3	GR2	GR1	GR0	8000h
1Eh	Reserved	X	X	X	X	X	X	X	X	X	X	X	X	X	X	X	X	X
20h	General Purpose	POP	X	3D	X	X	X	MIX	MS	LPBK	X	X	X	X	X	X	X	0000h
22h	3D Control	X	X	X	X	X	X	X	X	X	X	X	X	X	X	X	X	X
24h	Reserved	X	X	X	X	X	X	X	X	X	X	X	X	X	X	X	X	X
26h	Powerdown Ctrl/Stat	PR7	PR6	PR5	PR4	PR3	PR2	PR1	PR0	X	X	X	X	REF	ANL	DAC	ADC	na
28h	Reserved	X	X	X	X	X	X	X	X	X	X	X	X	X	X	X	X	X
..
5Ah	Vendor Reserved	-	-	-	-	-	-	-	-	-	-	-	-	-	-	-	-	-
..
7Ah	Vendor Reserved	-	-	-	-	-	-	-	-	-	-	-	-	-	-	-	-	-
7Ch	Vendor ID1	X	X	X	X	X	X	X	X	X	X	X	X	X	X	X	X	X
7Eh	Vendor ID2	X	X	X	X	X	X	X	X	X	X	X	X	X	X	X	X	X

Application Information

AC Link Serial Interface Protocol

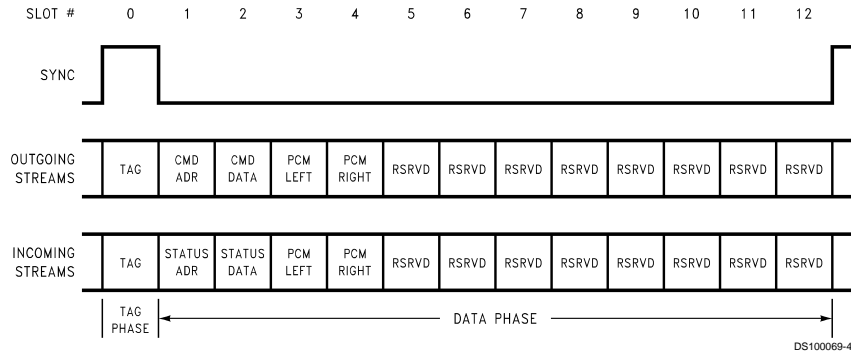


FIGURE 3. AC '97 Bidirectional Audio Frame

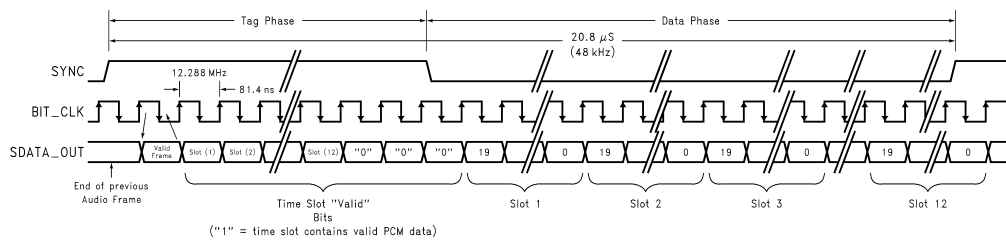


FIGURE 4. AC Link Audio Output Frame

AC Link Output Frame

The audio output frame (output from AC '97 Controller and input to the LM4545) contains control and PCM data targeted for the LM4545 control register and stereo DAC. The Tag slot, slot 0, contains 16 bits that tell the AC Link interface circuitry on the LM4545 the validity of the following data slots.

A new audio output frame is signaled with a low to high transition of SYNC. SYNC is synchronous to the rising edge of BIT_CLK. On the next rising edge of BIT_CLK, the AC '97 Controller drives SD_OUT with the first bit of slot 0. The LM4545 samples SD_OUT on the falling edge of BIT_CLK. The AC '97 Controller will continue outputting the SD_OUT stream on each successive rising edge of BIT_CLK.

SD_OUT Slot 0: Tag Phase

The first bit of slot 0 is designated the "Valid Frame" bit. If this bit is 1, it indicates that the current data frame contains at least one slot of valid data and the LM4545 will further sample the next four bits to determine which frames do in fact have valid data. Valid slots are signified by a 1 in their respective slot bit position.

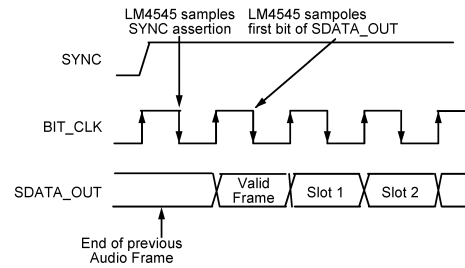


FIGURE 5. Start of Audio Output Frame

Bit	Description	Comment
15	Valid Frame	1 = Valid Frame
14	Control register address	1 = Valid slot
13	Control register data	1 = Valid slot
12	Left Playback PCM Data	1 = Valid slot

Application Information (Continued)

Bit	Description	Comment
11	Right Playback PCM Data	1 = Valid slot

SD_OUT Slot 1: Control Address

Slot 1 is used both to write to the LM4545 registers as well as read back a register's current value. The MSB of Slot 1 (bit 19) signifies whether the current control operation is a read or a write. Bits 18 through 12 are used to specify the register address of the read or write operation. The least significant twelve bits are reserved and should be stuffed with zeros by the AC'97 controller.

Bits	Description	Comment
19	Read/Write	0 = Write, 1 = Read
18:12	Control Register	Identifies the Control Register
11:0	Reserved	Set to "0"

SD_OUT Slot 2: Control Data

Slot 2 is used to transmit 16 bit control data to the LM4545 in the event that the current operation is a write operation. The least significant four bits should be stuffed with zeros by the AC '97 controller. If the current operation is a register read, the entire slot, bits 19 through 0 should be stuffed with zeros.

Bits	Description	Comment
19:4	Control Register Write Data	Set bits to "0" if read operation
3:0	Reserved	Set to "0"

SD_OUT Slot 3: PCM Playback Left Channel

Slot 3 is a 20 bit field used to transmit data intended for the left DAC on the LM4545. Any unused bits should be padded with zeros. The LM4545 DAC's have 18 bit resolution and thus will use the first 18 bits of the 20 bit PCM stream.

Bits	Description	Comment
19:0	PCM Audio Data for Left DAC	Set unused bits to "0"

SD_OUT Slot 4: PCM Playback Right Channel

Slot 4 is a 20 bit field used to transmit data intended for the right DAC on the LM4545. Any unused bits should be padded with zeros. The LM4545 DAC's have 18 bit resolution and thus will use the first 18 bits of the 20 bit PCM stream.

Bits	Description	Comment
19:0	PCM Audio Data for Right DAC	Set unused bits to "0"

SD_OUT Slots 5-12: Reserved

Set these SD_OUT slots to "0" as they are not currently used and are reserved for future use.

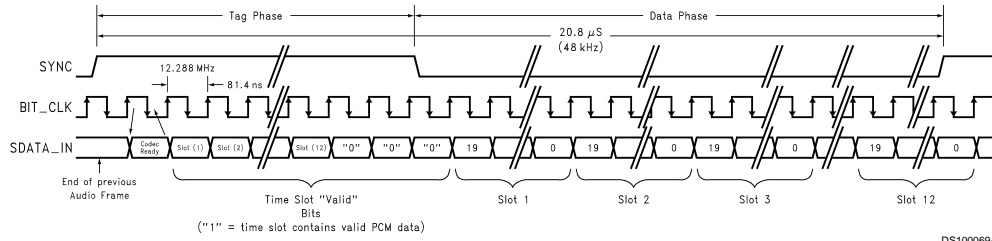


FIGURE 6. AC Link Audio Input Frame

AC Link Input Frame

The audio input frame (output from the LM4545 and input to the AC '97 Digital Controller) contains status and PCM data from the LM4545 control registers and stereo ADC. The Tag slot, slot 0, contains 16 bits that tell the AC '97 Digital Controller whether the LM4545 is ready and the validity of data from certain device subsections.

A new audio input frame is signaled with a low to high transition of SYNC. SYNC is synchronous to the rising edge of BIT_CLK. On the next rising edge of BIT_CLK, the LM4545 drives SD_IN with the first bit of slot 0. The Digital Controller samples SD_IN on the falling edge of BIT_CLK. The LM4545 will continue outputting the SD_IN stream on each successive rising edge of BIT_CLK. The LM4545 outputs data MSB first, in a MSB justified format. All reserved bits and slots are stuffed with "0" 's by the LM4545.

SD_IN Slot 0: Codec Status Bits

The first bit of SD_IN Slot 0 (bit 15), if asserted ("1"), indicates that the Codec is ready. The digital controller must probe further to see which other subsections are ready.

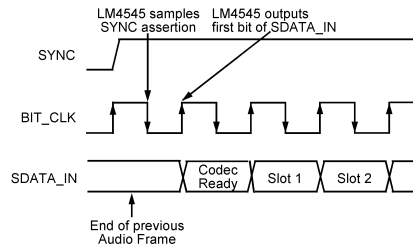


FIGURE 7. Start of Audio Input Frame

Application Information (Continued)

Bit	Description	Comment
15	Codec Ready Bit	0=Not Ready, 1=Ready
14	Slot 1 data valid	Status Address is valid
13	Slot 2 data valid	Status Data is valid
12	Slot 3 data valid	Left Audio PCM Data is valid
11	Slot 4 data valid	Right Audio PCM Data is valid

SD_IN Slot 1: Status Address

The slot echoes the control register which a read was requested on. The address echoed was initiated by a read request in the previous SD_OUT frame, slot 1.

Bits	Description	Comment
19	Reserved	Stuffed with "0"
18:12	Control Register Index	Echo of Control Register for which data is being returned.
11:0	Reserved	Stuffed with "0" 's

SD_IN Slot 2: Status Data

The slot returns the control register data. The data returned was initiated by a read request in the previous SD_OUT frame, slot 1.

Bits	Description	Comment
19:4	Control Register Read Data	
3:0	Reserved	Stuffed with "0" 's

SD_IN Slot 3: PCM Record Left Channel

This slot contains the left ADC sample data. The signal digitized is selected via register 1Ah and subsequently routed through the Input Mux for recording by the left ADC.

Bits	Description	Comment
19:2	PCM Record Left Channel data	18 bit audio sample from left ADC
1:0	Reserved	Stuffed with "0" 's

SD_IN Slot 4: PCM Record Right Channel

This slot contains the right ADC sample data. The signal digitized is selected via register 1Ah and subsequently routed through the Input Mux for recording by the right ADC.

Bits	Description	Comment
19:2	PCM Record Right Channel data	18 bit audio sample from right ADC
1:0	Reserved	Stuffed with "0" 's

SD_IN Slots 5-12: Reserved

These SD_IN slots are set to "0" as they are reserved for future use.

AC Link Low Power Mode

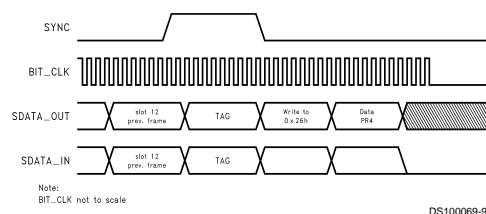


FIGURE 8. AC Link Powerdown Timing

Reset Register (00h)

Writing any value to this register causes a register reset which changes all of the registers back to their default values. If a read is performed on this register, the LM4545 will return a value of 0D50h implying that National 3D Sound is implemented, 18bit data is supported for both the ADC's and DAC's and the stereo headphone function is supported.

Master Volume Registers (02h, 04h, 06h)

These registers allows the output levels from LINE_OUT port, HP_OUT port and MONO_OUT port to be attenuated or muted. Each step is nominally 1.5dB and each output can be individually muted by setting the most significant bit to 1.

Mute	Mx5:Mx0	Function
0	00 0000	0dB attenuation
0	01 1111	46.5dB attenuation
0	1X XXXX	46.5dB attenuation
1	XX XXXX	mute

Default: 8000h

PC Beep Register (0Ah)

This register controls the level of the PC_BEEP input. The PC_BEEP can be both attenuated and muted via register 0Ah. Step size is nominally 3dB. The signal present after the attenuation and mute block is summed into both the left and right channels.

Mute	PV3:0	Function
0	0000	0dB attenuation
0	1111	45dB attenuation
1	XXXX	mute

Default: 8000h

Mixer Input Volume Registers (Index 0Ch - 18h)

These registers control the input volume controls including mute. Each volume control is 5 bit which provides from a range of +12dB gain to 34.5dB attenuation. For stereo ports, the left and right levels can be independently set. Muting a given port is accomplished by setting the MSB to 1. Setting the MSB to 1 for stereo ports mutes both the left and right channel. Register 0Eh has an additional 20dB boost for a microphone level input. This is enabled by setting bit 6 of register 0Eh to 1.

Application Information (Continued)

Mute	Gx4:Gx0	Function
0	00000	+12dB gain
0	01000	0dB gain
0	01111	34.5dB attenuation
1	XXXXX	mute

Default: 8008h (mono regs.), 8808h (stereo regs.)

Record Select Register (1Ah)

This register independently controls the source for the right and left channel which will be recorded by the stereo ADC. The default value is 0000h which corresponds to Mic in.

SL2:SL0	Left Record Source
0	Mic
1	CD In (L)
2	Video In (L)
3	Aux In (L)
4	Line In (L)
5	Stereo Mix (L)
6	Mono Mix (L)
7	Phone

SR2:SR0	Right Record Source
0	Mic
1	CD In (R)
2	Video In (R)
3	Aux In (R)
4	Line In (R)
5	Stereo Mix (R)
6	Mono Mix (R)
7	Phone

Record (Input) Gain Register (1Ch)

This register controls the Record (Input) Gain level for the stereo input selected via the Record Select Control Register (1Ah). The gain can be programmed from 0dB to +22.5dB in 1.5dB steps. The level for the left and right channel can be individually controlled. The input can also be muted by setting the MSB to 1.

Mute	Gx3:Gx0	Function
0	1111	22.5dB gain
0	0000	0dB gain
1	XXXX	mute

Default: 8000h

General Purpose Register (20h)

This register controls many miscellaneous functions implemented on the LM4545. The miscellaneous functions include: POP which allows the PCM to bypass the National 3D Sound circuitry, 3D which enables or disables the National 3D Sound circuitry, MIX which selects the MONO_OUT source, MS which selects the microphone mux source and LPBK which connects the output of the stereo ADC to input of the stereo DAC. LPBK provides for a digital loophthru path when enabled.

BIT	Function
POP	PCM out path and mute, 0 = pre 3D, 1 = post 3D
3D	National 3D Sound on / off 1 = on
MIX	Mono output select 0 = Mix, 1 = Mic
MS	Mic select 0 = Mic1 1 = Mic2
LPBK	ADC/DAC loopback

Powerdown Control / Status Register (26h)

This read/write register is used to monitor subsystem readiness and program LM4545 powerdown states. The lower half of this register is read only with a "1" indicated the subsection is ready. Writing to the lower 8 bits will have no effect. When the AC Link "Codec Ready" indicator bit (SDATA_IN slot 0, bit 15) is a 1 it indicates that the AC Link and AC '97 registers are in a fully operational state. The AC '97 Controller must further probe the Powerdown Control / Status Register to determine exactly which subsections are ready.

BIT	Function
REF	Vref's up to nominal level
ANL	Analog mixers ready
DAC	DAC section ready to accept data
ADC	ADC section ready to transmit data

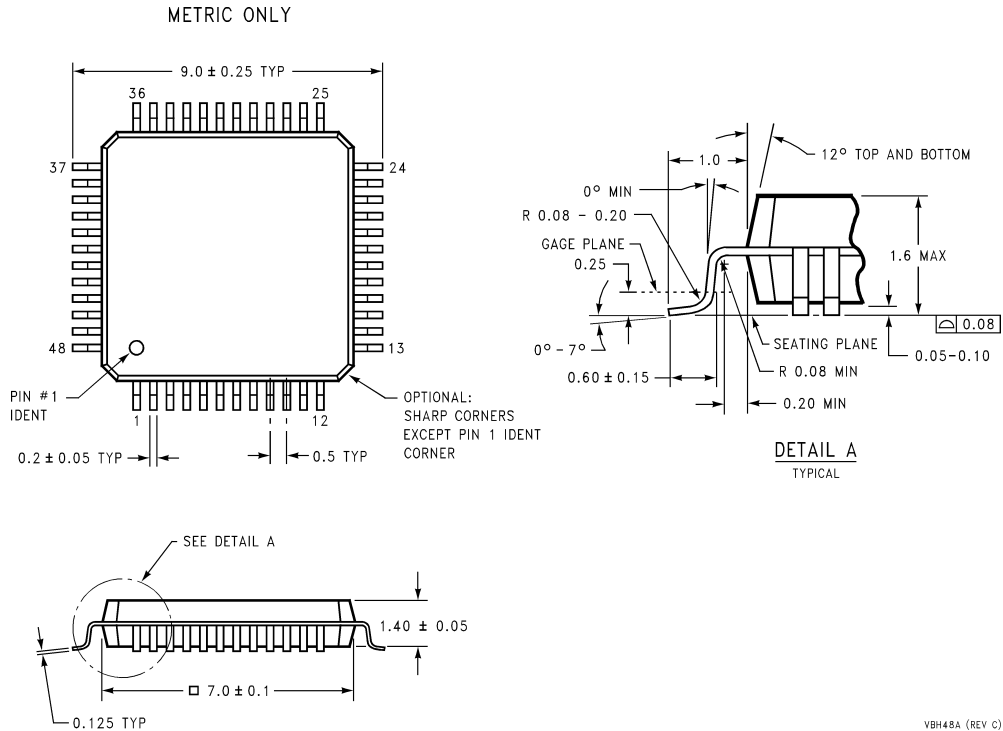
The supported powerdown modes are as follows.

BIT	Function
PRO	PCM in ADC's and Input Mux powerdown
PR1	PCM out DAC's powerdown
PR2	Analog Mixer powerdown (VREF still on)
PR3	Analog Mixer powerdown (VREF off)
PR4	Digital Interface (AC Link) powerdown (external clk off)
PR5	Internal Clk disable
PR6	HP Amp powerdown

Reserved Registers (28h - 7Ah)

Do not write to these registers as they are reserved.

Physical Dimensions inches (millimeters) unless otherwise noted



VBH48A (REV C)

LIFE SUPPORT POLICY

NATIONAL'S PRODUCTS ARE NOT AUTHORIZED FOR USE AS CRITICAL COMPONENTS IN LIFE SUPPORT DEVICES OR SYSTEMS WITHOUT THE EXPRESS WRITTEN APPROVAL OF THE PRESIDENT AND GENERAL COUNSEL OF NATIONAL SEMICONDUCTOR CORPORATION. As used herein:

1. Life support devices or systems are devices or systems which, (a) are intended for surgical implant into the body, or (b) support or sustain life, and whose failure to perform when properly used in accordance with instructions for use provided in the labeling, can be reasonably expected to result in a significant injury to the user.
2. A critical component is any component of a life support device or system whose failure to perform can be reasonably expected to cause the failure of the life support device or system, or to affect its safety or effectiveness.

National Semiconductor Corporation
 Americas
 Tel: 1-800-272-9959
 Fax: 1-800-737-7018
 Email: support@nsc.com

www.national.com

National Semiconductor Europe
 Fax: +49 (0) 1 80-530 85 86
 Email: europe.support@nsc.com
 Deutsch Tel: +49 (0) 1 80-530 85 85
 English Tel: +49 (0) 1 80-532 78 32
 Français Tel: +49 (0) 1 80-532 93 58
 Italiano Tel: +49 (0) 1 80-534 16 80

National Semiconductor Asia Pacific Customer Response Group
 Tel: 65-2544466
 Fax: 65-2504466
 Email: sea.support@nsc.com

National Semiconductor Japan Ltd.
 Tel: 81-3-5639-7560
 Fax: 81-3-5639-7507

IMPORTANT NOTICE

Texas Instruments Incorporated and its subsidiaries (TI) reserve the right to make corrections, modifications, enhancements, improvements, and other changes to its products and services at any time and to discontinue any product or service without notice. Customers should obtain the latest relevant information before placing orders and should verify that such information is current and complete. All products are sold subject to TI's terms and conditions of sale supplied at the time of order acknowledgment.

TI warrants performance of its hardware products to the specifications applicable at the time of sale in accordance with TI's standard warranty. Testing and other quality control techniques are used to the extent TI deems necessary to support this warranty. Except where mandated by government requirements, testing of all parameters of each product is not necessarily performed.

TI assumes no liability for applications assistance or customer product design. Customers are responsible for their products and applications using TI components. To minimize the risks associated with customer products and applications, customers should provide adequate design and operating safeguards.

TI does not warrant or represent that any license, either express or implied, is granted under any TI patent right, copyright, mask work right, or other TI intellectual property right relating to any combination, machine, or process in which TI products or services are used. Information published by TI regarding third-party products or services does not constitute a license from TI to use such products or services or a warranty or endorsement thereof. Use of such information may require a license from a third party under the patents or other intellectual property of the third party, or a license from TI under the patents or other intellectual property of TI.

Reproduction of TI information in TI data books or data sheets is permissible only if reproduction is without alteration and is accompanied by all associated warranties, conditions, limitations, and notices. Reproduction of this information with alteration is an unfair and deceptive business practice. TI is not responsible or liable for such altered documentation. Information of third parties may be subject to additional restrictions.

Resale of TI products or services with statements different from or beyond the parameters stated by TI for that product or service voids all express and any implied warranties for the associated TI product or service and is an unfair and deceptive business practice. TI is not responsible or liable for any such statements.

TI products are not authorized for use in safety-critical applications (such as life support) where a failure of the TI product would reasonably be expected to cause severe personal injury or death, unless officers of the parties have executed an agreement specifically governing such use. Buyers represent that they have all necessary expertise in the safety and regulatory ramifications of their applications, and acknowledge and agree that they are solely responsible for all legal, regulatory and safety-related requirements concerning their products and any use of TI products in such safety-critical applications, notwithstanding any applications-related information or support that may be provided by TI. Further, Buyers must fully indemnify TI and its representatives against any damages arising out of the use of TI products in such safety-critical applications.

TI products are neither designed nor intended for use in military/aerospace applications or environments unless the TI products are specifically designated by TI as military-grade or "enhanced plastic." Only products designated by TI as military-grade meet military specifications. Buyers acknowledge and agree that any such use of TI products which TI has not designated as military-grade is solely at the Buyer's risk, and that they are solely responsible for compliance with all legal and regulatory requirements in connection with such use.

TI products are neither designed nor intended for use in automotive applications or environments unless the specific TI products are designated by TI as compliant with ISO/TS 16949 requirements. Buyers acknowledge and agree that, if they use any non-designated products in automotive applications, TI will not be responsible for any failure to meet such requirements.

Following are URLs where you can obtain information on other Texas Instruments products and application solutions:

Products

Audio	www.ti.com/audio
Amplifiers	amplifier.ti.com
Data Converters	dataconverter.ti.com
DLP® Products	www.dlp.com
DSP	dsp.ti.com
Clocks and Timers	www.ti.com/clocks
Interface	interface.ti.com
Logic	logic.ti.com
Power Mgmt	power.ti.com
Microcontrollers	microcontroller.ti.com
RFID	www.ti-rfid.com
OMAP Mobile Processors	www.ti.com/omap
Wireless Connectivity	www.ti.com/wirelessconnectivity

Applications

Communications and Telecom	www.ti.com/communications
Computers and Peripherals	www.ti.com/computers
Consumer Electronics	www.ti.com/consumer-apps
Energy and Lighting	www.ti.com/energy
Industrial	www.ti.com/industrial
Medical	www.ti.com/medical
Security	www.ti.com/security
Space, Avionics and Defense	www.ti.com/space-avionics-defense
Transportation and Automotive	www.ti.com/automotive
Video and Imaging	www.ti.com/video

TI E2E Community Home Page

e2e.ti.com

Mailing Address: Texas Instruments, Post Office Box 655303, Dallas, Texas 75265
 Copyright © 2011, Texas Instruments Incorporated