



Excellent Integrated System Limited

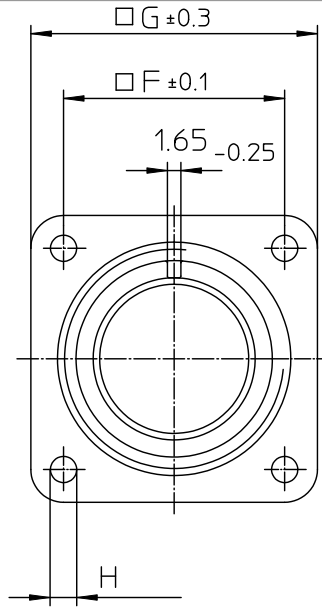
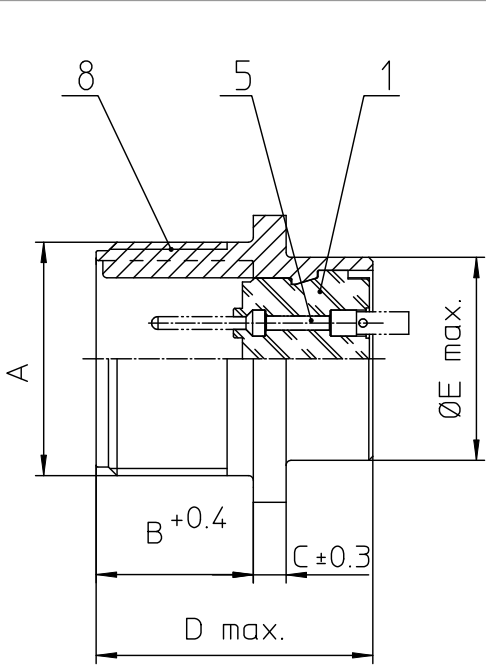
Stocking Distributor

Click to view price, real time Inventory, Delivery & Lifecycle Information:

[ITT Cannon, LLC](#)
[MS3102E36-15PX](#)

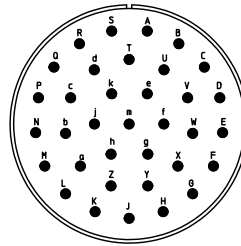
For any questions, you can email us directly:

sales@integrated-circuit.com



NO.	MASSE / DIMENSION
A	2 1/4-16UN-2A
B	22.2
C	4
D	34.2
E	52.4
F	49.2
G	63.5
H	4.4

NO.	BESCHREIBUNG / DESCRIPTION
1	ISOLIERKÖRPER STIFT / INSULATOR PIN
5	KONTAKTSTIFT/ CONTACT PIN
8	DOSENGEHÄUSE / SHELL



Note: Due to an automatic nomenclature system, numbers generated may not be sequential. Specification and Dimensions subject to change Drawings illustrate normal insulator positioning.
Material Specification: _____
Shell Material: Aluminium alloy
Shell Plating: Olive drab chromate coating over cadmium plating
Insulator Material: Neoprene
Contact Material: Copper alloy
Contact Plating: Hard silver

all dimensions are in mm Dimensions without tolerance indications are general tolerances in acc. with DIN7168m	drawing for CUSTOMER
ITT <i>Engineered for life</i> ITT Cannon GmbH D-71334 Weinstadt-Gemary	description MS3102E36-15PX Box mounting receptacle Solder Cup / Pin / Layout: 36-15
<small>© All rights reserved. Reproduction or issue in any form without the prior written authorization of ITT Cannon</small>	page 1/1 revision 377.3, Jul 16