



Excellent Integrated System Limited

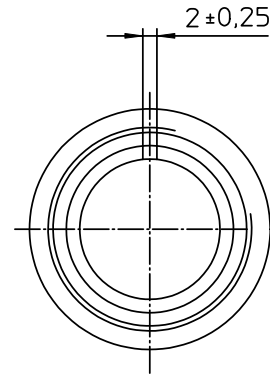
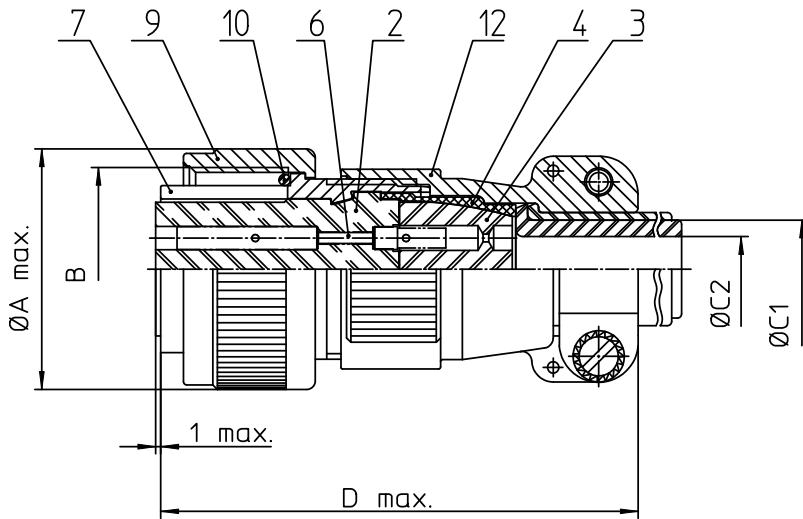
Stocking Distributor

Click to view price, real time Inventory, Delivery & Lifecycle Information:

[ITT Cannon, LLC](#)
[MS3106F28-21SY](#)

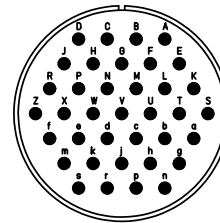
For any questions, you can email us directly:

sales@integrated-circuit.com




NO.	MASSE / DIMENSION
A	50.2
B	1 3/4-18NS-2B
C1	21.5
C2	16.6
D	76

NO.	BESCHREIBUNG / DESCRIPTION
2	ISOLIERKÖRPER BUCHSE / INSULATOR SOCKET
3	DICHTKÖRPER / GROMMET
4	ENDRING / ENDRING
6	KONTAKTBÜCHSE / CONTACT SOCKET
7	ZYLINDERGHÄUSE / BARREL
9	ÜBERWURFMUTTER / COUPLING NUT
10	DICHTRING FRONT / FRONT SEALING RING
12	ENDGEHÄUSE / ENDBELL



Note: Due to an automatic nomenclature system, numbers generated may not be sequential. Specification and Dimensions subject to change Drawings illustrate normal insulator positioning
Material Specification: Shell Material: Aluminium alloy Shell Plating: Olive drab chromate coating over cadmium plating Insulator Material: Neoprene Contact Material: Copper alloy Contact Plating: Hard silver

all dimensions are in mm Dimensions without tolerance indications are general tolerances in acc. with DIN7168m	drawing for CUSTOMER
 ITT Engineered for life ITT CANNON GmbH D-31136 Verden/LeineGermany	description MS3106F28-21SY Plug, straight Endbell with cable clamp Solder Cup / Socket / Layout: 28-21
© All rights reserved. Reproduction or issue in third in any form whatever is only permitted with written authorization of ITT Cannon	page 1/1 revision 377.3, Jul 16