

## Excellent Integrated System Limited

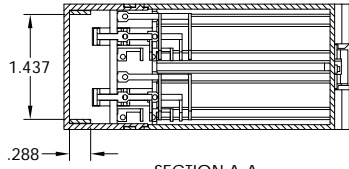
Stocking Distributor

Click to view price, real time Inventory, Delivery & Lifecycle Information:

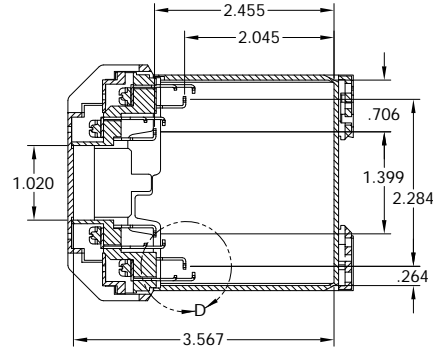
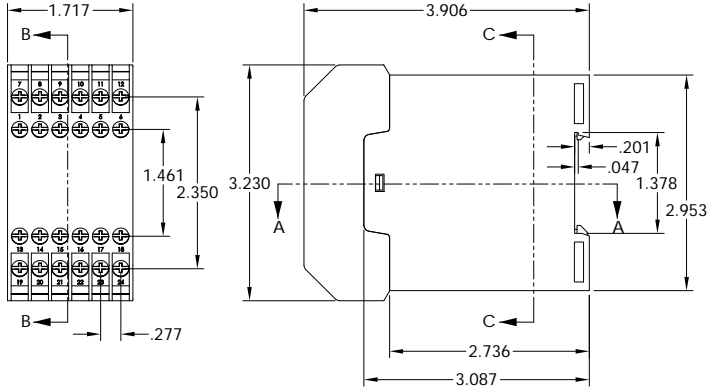
[BUD Industries, Inc.](#)  
[DB-4751](#)

For any questions, you can email us directly:  
[sales@integrated-circuit.com](mailto:sales@integrated-circuit.com)

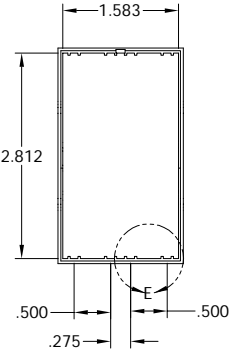
PART NAME	DIN RAIL MOUNT BOXES WITH TIERED CONTACTS	PART No.	DB-4751	REV. DATE	5-19-10
-----------	---	----------	---------	-----------	---------



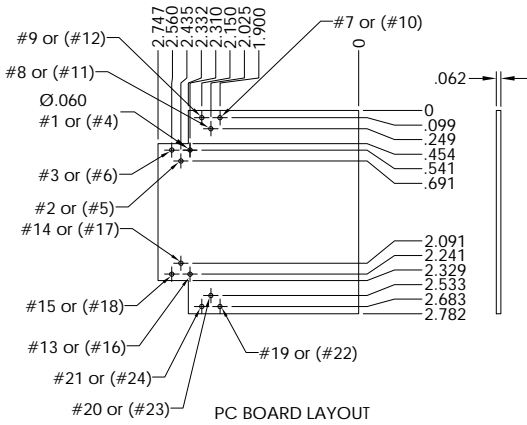
SECTION A-A



SECTION B-B

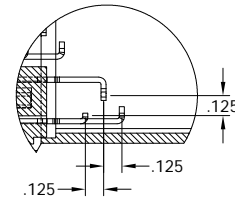
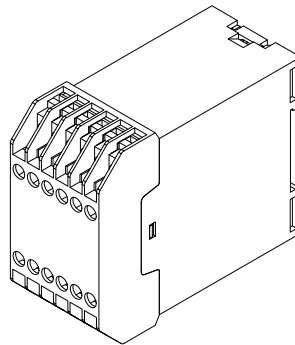


SECTION C-C

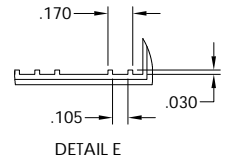


PC BOARD LAYOUT

NOTE: HOLE NUMBERS CORRESPOND TO CONTACT POSITION



DETAIL D



DETAIL E

MATERIAL: UL 94V-0 RATED ABS

FINISH: LIGHT GRAY

ALL DIMENSIONS HAVE A  $\pm 0.015$  TOLERANCE UNLESS OTHERWISE SPECIFIED

ALL CONTACTS ARE TIN PLATED BRASS RATED AT 10 AMPS