

Excellent Integrated System Limited

Stocking Distributor

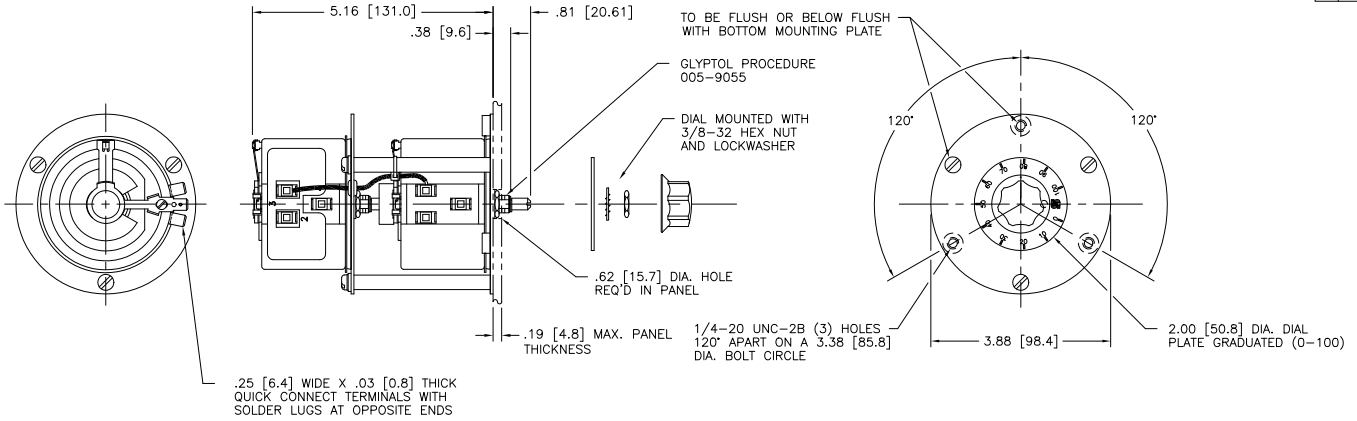
Click to view price, real time Inventory, Delivery & Lifecycle Information:

[Staco Energy Products Co.](#)
[221-B-2](#)

For any questions, you can email us directly:

sales@integrated-circuit.com

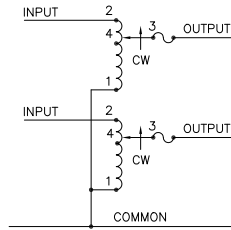
REV.	DATE	BY	APP.
B	24/08/02	6/25/02	
REVISIONS			
REDRAWN TO CAD			



++ LINE TO LINE VOLTAGE

IF GANGED UNITS ARE USED IN A SYSTEM THAT ORDINARILY HAS A COMMON NEUTRAL OR GROUND BETWEEN SOURCE AND LOAD, THE NEUTRAL OR GROUND MUST BE CONNECTED TO THE COMMON TERMINALS OF THE VARIABLE TRANSFORMER ASSEMBLY. IF THE SYSTEM HAS NO NEUTRAL, THE LOAD MUST BE BALANCED OR THE TRANSFORMERS WILL BE DAMAGED.

JUMPER PROVIDED IN THE STANDARD COMMON POSITION AND SHOULD BE MOVED OR REMOVED AS REQUIRED.



SCHEMATIC
FUSE RECOMMENDED
BUT NOT SUPPLIED

WIRING	SPECIFICATIONS										
	INPUT		OUTPUT				SHAFT ROTATION TO INCREASE VOLTAGE	TERMINAL CONNECTIONS FOR INCREASING VOLTAGE AS VIEWED FROM BASE END			
	VOLTS	HERTZ	VOLTS	CONSTANT CURRENT LOAD	CONSTANT IMPEDANCE LOAD	INPUT		JUMPER	OUTPUT		
			MAX. AMPS	MAX. KVA	MAX. AMPS	MAX. KVA					
SINGLE PHASE SERIES	240	50/60	0-240	2.5	0.60	3.2	0.77	CW	2-2	1-1	3-3
		60	0-264	2.5	0.66	-	-	CW	1-1	2-2	3-3
THREE PHASE OPEN DELTA	120	50/60	0-120	2.5	0.52	3.2	0.67	CW	2-1-2	1-1	3-1-3
		60	0-132	2.5	0.57	-	-	CCW	1-2-1	2-2	3-2-3
		++						CW	4-1-4	1-1	3-1-3

SPEC. CONTROL DRAWING
VARIABLE TRANSFORMER
MODEL: 221-B-2

STACO ENERGY PRODUCTS CO.
Manufacturing Plant, New York, NY

DESIGNED BY: TIM RAU DATE: 6/6/02

CHECKED BY: DATE: 5/26/08

SCALE: 1=1

FIG. NO. D 031-0175