

Excellent Integrated System Limited

Stocking Distributor

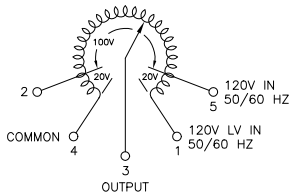
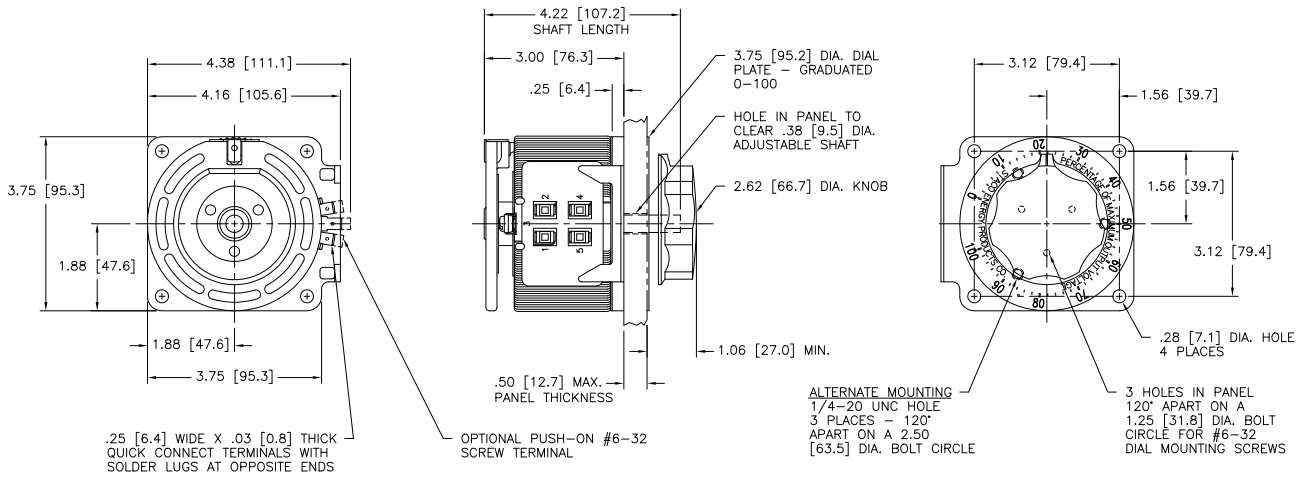
Click to view price, real time Inventory, Delivery & Lifecycle Information:

[Staco Energy Products Co.](#)
[501C](#)

For any questions, you can email us directly:

sales@integrated-circuit.com

REV.	DATE	DESCRIPTION
A	25/121 5/12/03	REVISED DIAL PLATE



SCHMATIC VIEWED FROM BASE END FOR OPPOSITE ROTATION INTERCHANGE EXTERNAL CONNECTIONS FROM 5 TO 2 AND 4 TO 1 FUSE RECOMMENDED BUT NOT SUPPLIED

WIRING	INPUT		OUTPUT				SHAFT ROTATION TO INCREASE VOLTAGE	TERMINAL CONNECTIONS		
	VOLTS	HERTZ	CONSTANT CURRENT LOAD	CONSTANT IMPEDANCE LOAD	FOR INCREASING VOLTAGE AS VIEWED FROM BASE END			INPUT	JUMPER/OUTPUT	
					MAX. AMPS	MAX. KVA				MAX. AMPS
SINGLE PHASE	120	50/60	0-120	5.0	0.60	7.0	0.84	CW	1-4	4-3
			0-140	5.0	0.70			CCW	1-4	1-3
								CCW	4-5	4-3
								CCW	1-2	1-3

STACO ENERGY PRODUCTS CO.
140V 5A VARIABLE TRANSFORMER
MODEL: 501C

DESIGNED BY: S.A. SMITH
DATE: 3/11/99
REV: 1
SHEET: 1 OF 1

FIG. NO. 031-0460