

## Excellent Integrated System Limited

Stocking Distributor

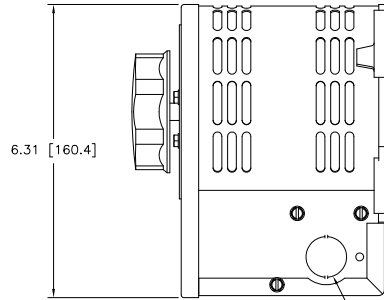
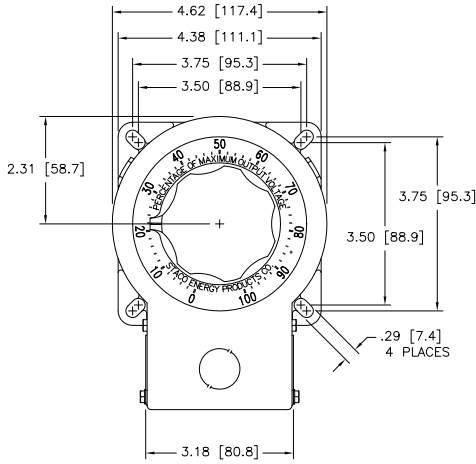
Click to view price, real time Inventory, Delivery & Lifecycle Information:

[Staco Energy Products Co.](#)  
[1210BCT](#)

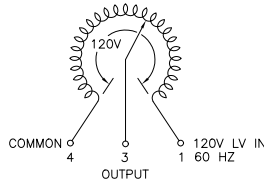
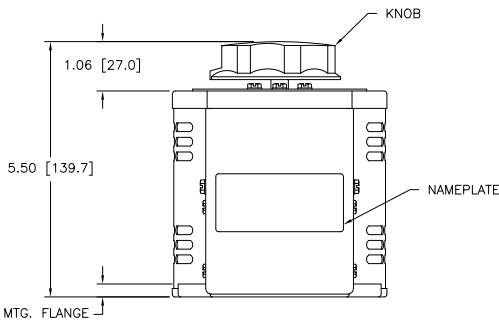
For any questions, you can email us directly:

[sales@integrated-circuit.com](mailto:sales@integrated-circuit.com)

REV.	DATE	DESCRIPTION
A	25/121	5/13/03 REVISED DIAL PLATE



.88 [22.2] DIA. KNOCKOUT  
(3) PLACES FOR  
WIRING CONNECTIONS



SCHEMATIC  
VIEW FROM BASE END  
FUSE RECOMMENDED BUT NOT SUPPLIED

WIRING	INPUT		OUTPUT				SHAFT ROTATION TO INCREASE VOLTAGE	TERMINAL CONNECTIONS		
	VOLTS	HERTZ	CONSTANT CURRENT LOAD		CONSTANT IMPEDANCE LOAD			FOR INCREASING VOLTAGE AS VIEWED FROM BASE END		
			MAX. AMPS	MAX. KVA	MAX. AMPS	MAX. KVA		INPUT	JUMPER/OUTPUT	
SINGLE PHASE	120	60	0-120	12	1.44	15	1.80	CW	1-4	4-3
								CCW	1-4	1-3

STACO ENERGY PRODUCTS CO.  
1210BCT  
SPEC. CONTROL DRAWING  
VARIABLE TRANSFORMER  
MODEL: 1210BCT  
DRAWN BY: S.A. SMITH 9/24/97  
CHECKED BY: [ ]  
DATE: [ ]  
SCALE: 10:5 TBS  
SHEET: 1 OF 1  
REV. NO. D 031-3006