

## Excellent Integrated System Limited

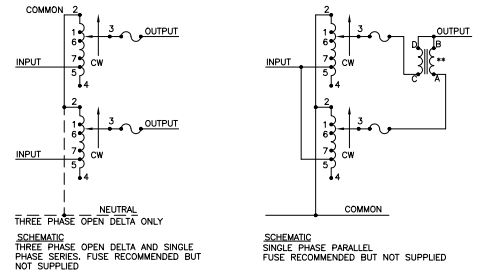
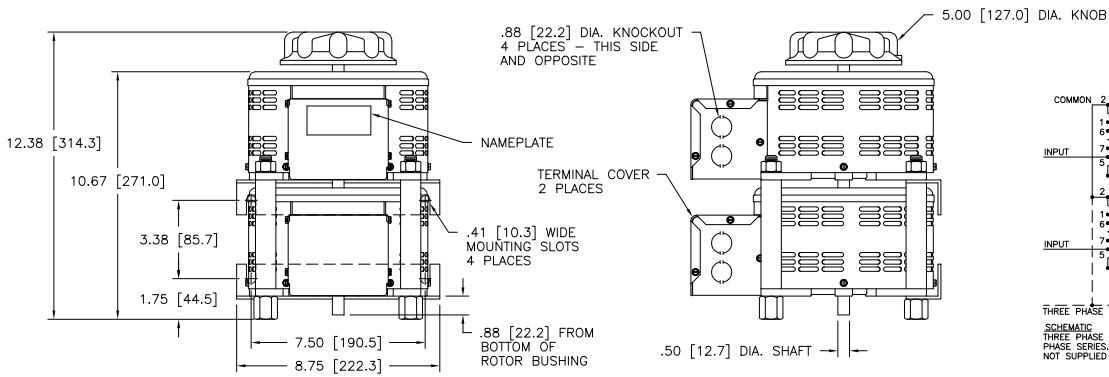
Stocking Distributor

Click to view price, real time Inventory, Delivery & Lifecycle Information:

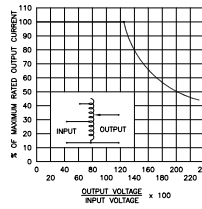
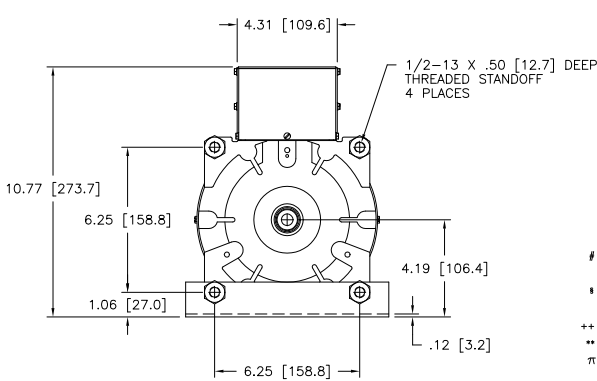
[Staco Energy Products Co.](#)  
[2520CT-2](#)

For any questions, you can email us directly:

[sales@integrated-circuit.com](mailto:sales@integrated-circuit.com)



NOTE:  
UNIT IS SUPPLIED WITH A 7.00 [177.8] DIA.  
0-100 GRADUATED DIAL PLATE FOR PANEL MOUNTING.



# MAXIMUM OUTPUT CURRENT IN OUTPUT VOLTAGE RANGE FROM 0 TO 25% ABOVE  
LINE VOLTAGE. AT HIGHER OUTPUT VOLTAGES, THE OUTPUT CURRENT MUST BE  
REDUCED ACCORDING TO THE DERATING CURVE FIGURE A.

■ MAXIMUM KVA AT MAXIMUM OUTPUT VOLTAGE AND CORRESPONDING DERATED  
OUTPUT CURRENT. MAXIMUM KVA FOR LOWER VOLTAGES MAY BE CALCULATED  
FROM DERATING CURVE FIGURE A.

++ LINE TO LINE VOLTAGE.

\*\* REQUIRES ONE 52LAC PARALLELING CHOKE (NOT SUPPLIED).

†† IF GANGED UNITS ARE USED IN A SYSTEM THAT ORDINARILY HAS A COMMON  
NEUTRAL OR GROUND BETWEEN SOURCE AND LOAD, THE NEUTRAL OR GROUND  
MUST BE CONNECTED TO THE COMMON TERMINALS OF THE VARIABLE TRANSFORMER  
ASSEMBLY. IF THE SYSTEM HAS NO NEUTRAL, THE LOAD MUST BE BALANCED OR  
THE TRANSFORMER WILL BE DAMAGED.

■ JUMPER PROVIDED IN STANDARD COMMON POSITION AND SHOULD BE MOVED OR  
REMOVED AS REQUIRED.

WIRING	INPUT		OUTPUT				SHAFT ROTATION TO INCREASE VOLTAGE	TERMINAL CONNECTIONS FOR INCREASING VOLTAGE AS VIEWED FROM BASE END ■		
	VOLTS	HERTZ	CONSTANT CURRENT LOAD		CONSTANT IMPEDANCE LOAD			INPUT	JUMPER	OUTPUT
			MAX. AMPS	MAX. KVA	MAX. AMPS	MAX. KVA				
SINGLE PHASE PARALLEL **	240	50/60	0-240	20	4.80	26	6.20	CW	2-2,4-4	4-B
			0-280	20	5.60	---	CCW	2-2,4-4	4-B	
SINGLE PHASE SERIES	480	50/60	0-480	10	4.80	13	6.24	CCW	4-4	2-2 3-3
			0-560	10	5.60	---	---	CW	1-1	4-4 3-3
THREE PHASE OPEN DELTA ††	240	50/60	0-240	10	4.20	13	5.40	CW	4-2,4-2	2-2 3-2,3
			0-280	10	4.85	---	---	CW	5-5	2-2 3-2,3
THREE PHASE OPEN DELTA ††	120	50/60	0-280	10#	2.10	---	---	CW	7-7	4-4 3-4,3
			0-280	10#	2.10	---	---	CCW	6-6	2-2 3-2,3

SMALL CHANGE SPECIAL VOLTAGE & TAP  
CONSTANT CURRENT LOAD  
CONSTANT IMPEDANCE LOAD  
MAX. AMPS  
MAX. KVA  
MAX. AMPS  
MAX. KVA  
SHAFT ROTATION TO INCREASE VOLTAGE  
INPUT  
JUMPER  
OUTPUT  
SPEC. CONTROL DRAWING  
VARIABLE TRANSFORMER  
MODEL: 2520CT-2  
S.A. SMITH 12/18/98  
50 LBS  
D 031-5513