

## Excellent Integrated System Limited

Stocking Distributor

Click to view price, real time Inventory, Delivery & Lifecycle Information:

[Embedded Artists](#)

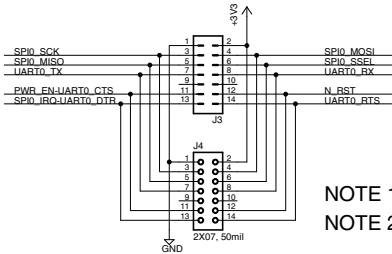
[EA-ACC-021](#)

For any questions, you can email us directly:

[sales@integrated-circuit.com](mailto:sales@integrated-circuit.com)

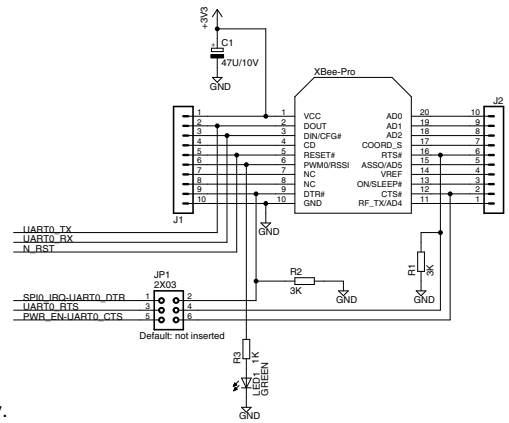
**Serial Expansion Connector**

1: GND	2: VCC (3.3V, max 250mA)
3: SPI-SCK (output)	4: SPI-MOSI (output)
5: SPI-MISO (input)	6: SPI-SSEL (output)
7: UART-RX (input)	8: UART-TX (output)
9: I2C-SCL (output)	10: I2C-SDA (bidirectional)
11: GPIO (bidirectional)	12: GPIO (bidirectional)
13: AIN0/GPIO (input)	14: AIN3/AOUT/GPIO (input)

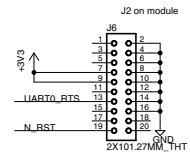
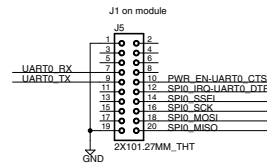
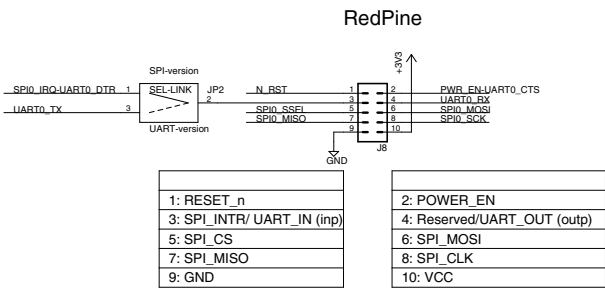


NOTE 1: Only one RF-module mounted at a time.  
NOTE 2: RF-modules must be bought separately.

**Digi XBee(R) RF-module**



**LS Research TIWI-SL EM board / Anaren EM boards (TI RF board pinning)**



**Embedded Artists**

(C) Embedded Artists AB

TITLE: RF Adapter Board rev A

Document Number:

Date: 2012-06-21 16:56:58 Sheet: 1/2