

## Excellent Integrated System Limited

Stocking Distributor

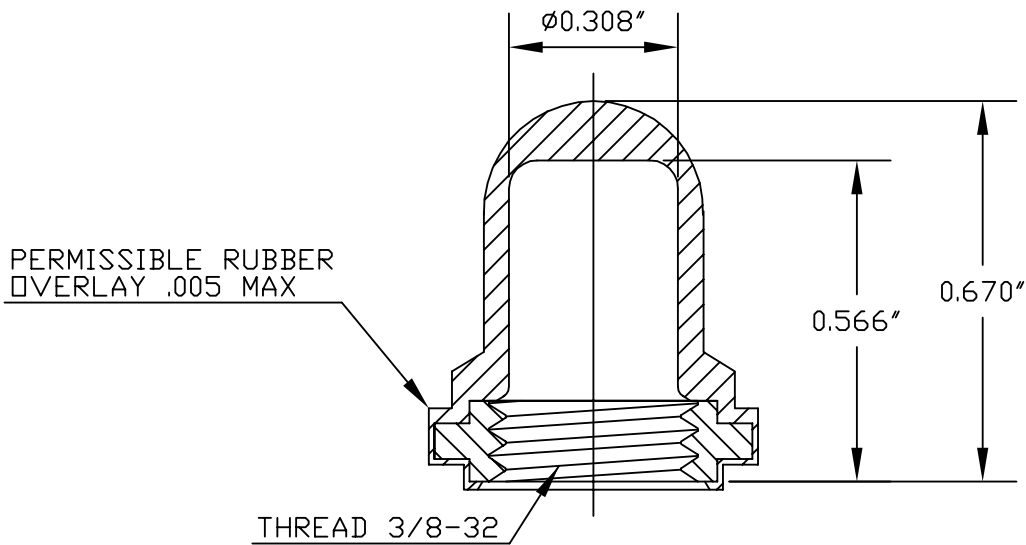
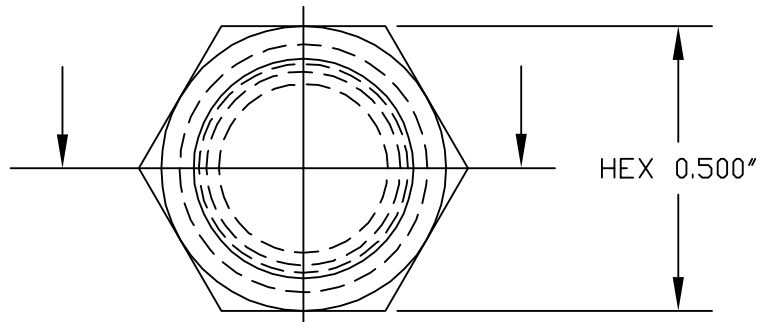
Click to view price, real time Inventory, Delivery & Lifecycle Information:

[APM Hexseal](#)  
[1231/35 4](#)

For any questions, you can email us directly:  
[sales@integrated-circuit.com](mailto:sales@integrated-circuit.com)

**SPECIFICATIONS**

**Material:** E-SEELS -- Silicone rubber polymer type ASTM D 1418  
**Mounting Nut:** E-SEELS: Brass, black-oxide  
**Temperature Range:** E-SEELS: -80°F to +400°F  
**Pressure Range:** Exceeds 15 psi internal and 1500 psi external.  
**Operational Life:** 50,000 actuations (minimum).  
**Shelf Life:** Excess of 25 years.  
**Resistant to:** Salt spray, sunlight, ozone, weather, fungus, and most acids and lubricating oils  
**Agency Recognition:** UL & ULC Recognized to UL Std. 50



B	UPDATED DIMENSIONS			07.14.08	
A	CAD COMPUTER GENERATED			09.23.02	
REV.		DESCRIPTION		DATE	
		BOOT, PUSHBUTTON	ENG.	S. GOK	07.14.08
			DWN.	S. GOK	07.14.08
			CHKD.	J. CELLA	07.14.08
	MAT'L: SILICONE RUBBER ASTM D 1418	APM-HEXSEAL CORPORATION	SCALE	DWG. NO.	1231/35
	FINISH: CLEAR		3 : 1		

THIS DRAWING COVERS PROPRIETARY ITEM AND IS THE PROPERTY OF THE APM-HEXSEAL CORPORATION.  
 THIS DRAWING IS NOT TO BE COPIED OR USED WITHOUT THE WRITTEN APPROVAL OF AN OFFICER OF THE APM-HEXSEAL CORPORATION.