

## Excellent Integrated System Limited

Stocking Distributor

Click to view price, real time Inventory, Delivery & Lifecycle Information:

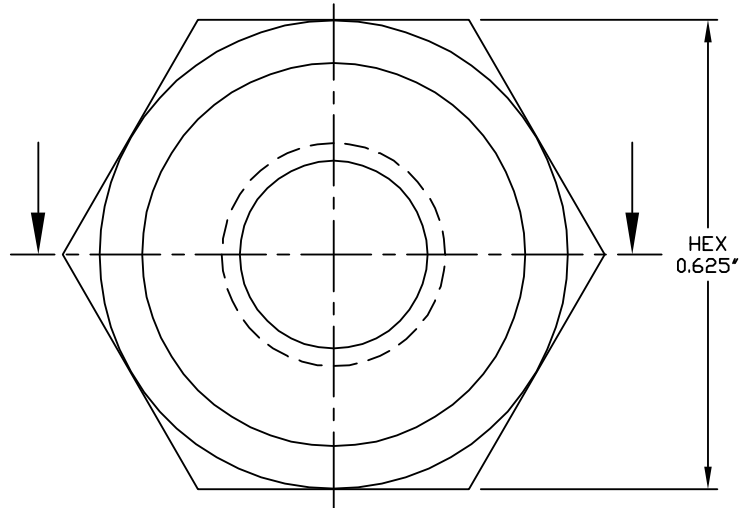
[APM Hexseal](#)  
[N9060X1/4 2](#)

For any questions, you can email us directly:

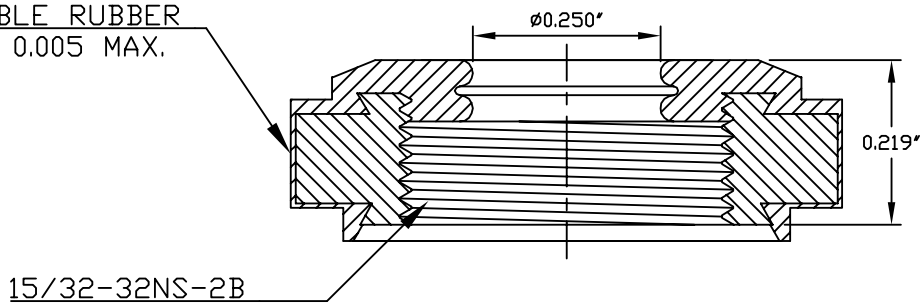
[sales@integrated-circuit.com](mailto:sales@integrated-circuit.com)

**SPECIFICATIONS**

**Material:** HEXSEALS: Silicone rubber conforms to A-A-59588 Class III, GR 60 unless otherwise specified.  
**Mounting Nut:** HEXSEALS: Brass, nickel-plated (unless otherwise noted)  
**Temperature Range:** HEXSEALS: -94°F to +400°F  
**Pressure Range:** Exceeds 15 psi internal and 1500 psi external.  
**Operational Life:** 50,000 actuations (minimum).  
**Shelf Life:** Excess of 25 years.  
**Resistant to:** Salt spray, sunlight, ozone, weather, fungus, and most acids and lubricating oils  
**Agency Recognition:** E-SEEL and HEXSEAL are UL listed to UL Std. 50 types 1-13, and meet CSA standards.  
**Installation:** If a reducing adaptor is required- see page 14 of HEXSEAL catalog HEX200 for part numbers and drawing.



PERMISSIBLE RUBBER  
OVERLAY 0.005 MAX.



H	MAT'L CHANGED and REDRAWN		S. GOK	07.10.09
G	CAD COMPUTER GENERATED			09.23.02
F	UPDATED		R. C.	08.07.74
REV.	DESCRIPTION			DATE
MAXIMUM AND MINIMUM MEASUREMENTS ARE STATED DIRECTLY ON EACH DIMENSION.		SEAL, SHAFT, ROTARY (N9060x1/4)	ENG. DWN.	S. ANDREWS 12.11.59
MAT'L: Silicone Rubber conforms to A-A-59588, Gr. 60			CHKD.	J. CELLA 07.10.09
FINISH: GRAY		APM-HEXSEAL CORPORATION	SCALE 4 : 1	DWG. NO. N9060x1/4 HEXSEAL®

THIS DRAWING COVERS PROPRIETARY ITEM AND IS THE PROPERTY OF THE APM-HEXSEAL CORPORATION.  
 THIS DRAWING IS NOT TO BE COPIED OR USED WITHOUT THE WRITTEN APPROVAL OF AN OFFICER OF THE APM-HEXSEAL CORPORATION.