

Excellent Integrated System Limited

Stocking Distributor

Click to view price, real time Inventory, Delivery & Lifecycle Information:

[TE Connectivity AMP Connectors](#)
[555153-1](#)

For any questions, you can email us directly:

sales@integrated-circuit.com



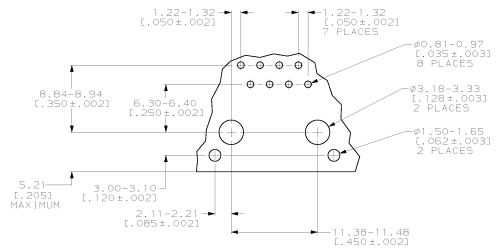
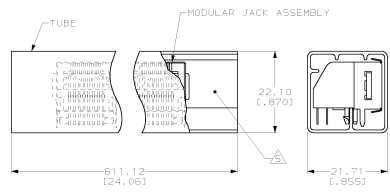
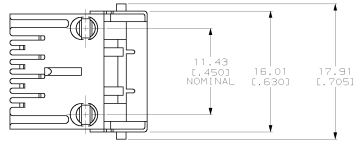
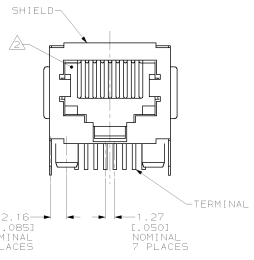
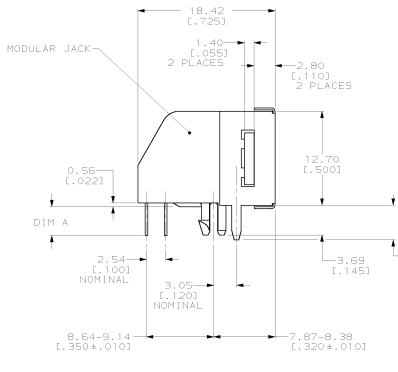
Distributor of TE Connectivity AMP Connectors: Excellent Integrated System Limited

Datasheet of 555153-1 - CONN MOD JACK 8P8C R/A SHIELDED

6 7 6 5 4 3 2 1

REVISIONS TO THIS DRAWING: (D) 22/01/2000

REV	DATE	REVISED BY	REVISIONS	CHKD BY	APP'D BY
AA	22	J	REVISED, EC: 00F0-0102-01		



SUGGESTED PRINTED CIRCUIT BOARD MOUNTING HOLE LAYOUT (VIEW SHOWN IS CIRCUIT SIDE OF BOARD)

- △ MATERIAL:
HOUSINGS - PBT POLYESTER BLACK.
TERMINAL - 0.36(.014) THICK PHOS-BRONZE PLATED WITH 1.27µm(.000050) THICK HARD GOLD IN LOCALIZED GOLD PLATE AREA AND 2.03µm(.000080) THICK TIN-LEAD IN SOLDER AREA OVER 1.27µm(.000050) THICK NICKEL UNDERPLATE.
SHIELD - 0.25(.010) THICK COPPER ALLOY, TIN-LEAD PLATED.
- △ CAVITY CONFORMS TO FCC RULES AND REGULATIONS, PART 68, SUBPART F.
- △ DIMENSIONS ARE MAXIMUM UNLESS OTHERWISE SPECIFIED.
- △ BULK PACKAGED IN A TRAY.
- △ 32 ASSEMBLIES PACKAGED PER TUBE, SEE DETAIL B.

DIM A	PART NUMBER
1.78-2.79 (.094-.022)	555153-6
2.54-3.05 (.112-.011)	555153-5
4.06-4.57 (.174-.011)	555153-4
3.30-4.32 (.154-.022)	555153-3
3.30-4.32 (.154-.022)	555153-1

THIS DRAWING IS A CONTROLLED DOCUMENT. SEE CALLOUTS FOR REVISIONS.

INSTRUC:	REVISED BY:	DATE:	REVISED BY:	DATE:
DATE:	DATE:	DATE:	DATE:	DATE:
DATE:	DATE:	DATE:	DATE:	DATE:
DATE:	DATE:	DATE:	DATE:	DATE:

AMP Incorporated Harrisburg, PA 17105-3608

MODULAR JACK ASSEMBLY, 8 POSITION, SHIELDED, LOW PROFILE, RIGHT ANGLE WITH PRINTED CIRCUIT BOARD GROUND AND PANEL STOPS

DATE: 10/07/99 DRAWN BY: 555153

CUSTOMER DRAWING