

Excellent Integrated System Limited

Stocking Distributor

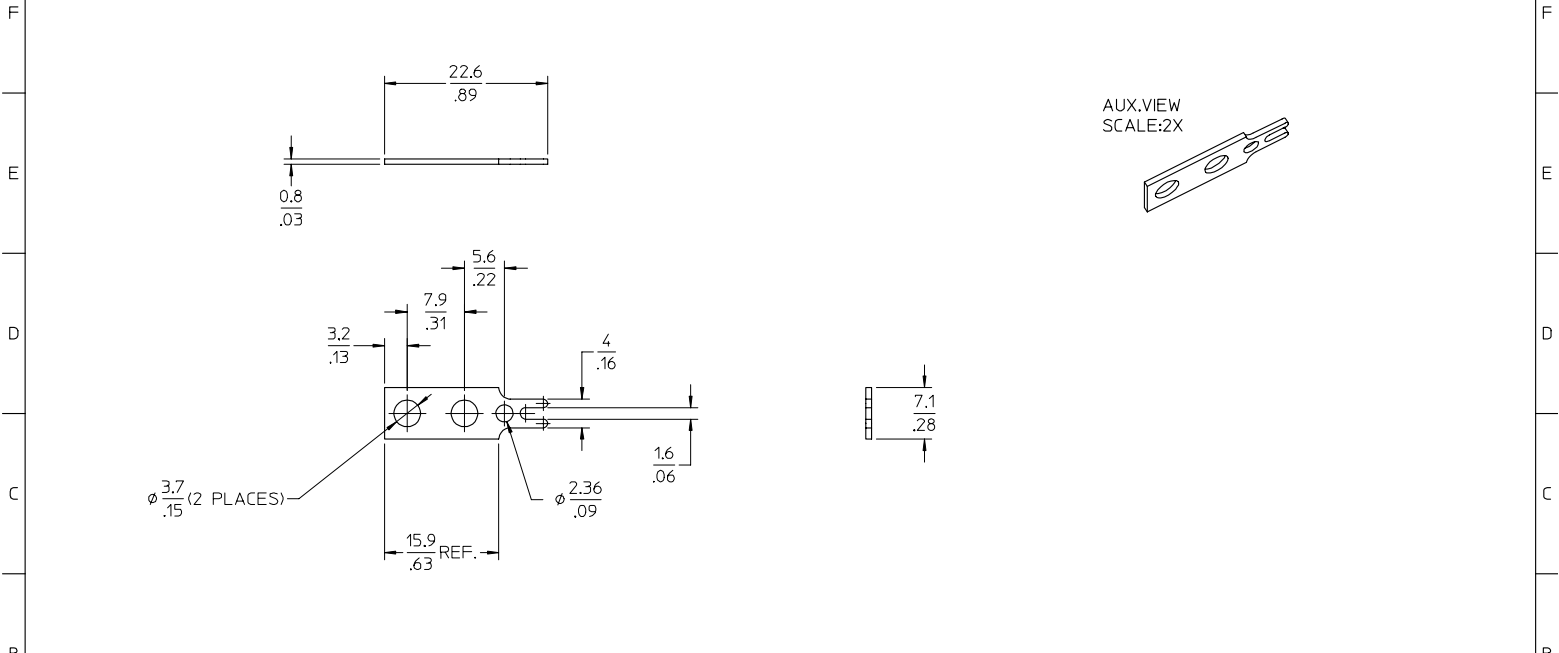
Click to view price, real time Inventory, Delivery & Lifecycle Information:

[Molex Connector Corporation](#)
[38002-0204](#)

For any questions, you can email us directly:

sales@integrated-circuit.com

10 9 8 7 6 5 4 3 2 38002



NOTES:

1. MATERIAL: SEE TABLE
2. FINISHES: SEE TABLE
3. PRODUCT SPECIFICATION: NOT REQUIRED
4. MATES WITH: NONE

1	1	TERMINAL	BRASS	TIN PLATED
ITEM	QTY.	DESCRIPTION	MATERIAL	FINISH

16_frame_B
rev. B1 2000/08/01

EC NO: NE02004-0505 DRAWN BY: R.STONE 2004/02/03 CHKD BY: RK 2004/02/10 APPR: G.ROBERTSON 2004/02/16	QUALITY SYMBOLS -0 -0	GENERAL TOLERANCES (UNLESS SPECIFIED)		SCALE 2:1	DESIGN UNITS INCH	THIRD ANGLE PROJECTION	REVISE ON CAD ONLY
		4 PLACES ± --- ± .0015	3 PLACES ± 0.038 ± .005	DIMENSION STYLE MM/IN		TITLE TERMINAL, SOLDER TAB CAT.#141	
DESCRIPTION A	REV	2 PLACES ± 0.13 ± .01	1 PLACE ± 0.3 ± ---	DRAWN BY R.STONE	DATE 08-14-03	MATERIAL NO. 380020204	
		ANGULAR ± 1/2°		CHECKED BY RK	DATE 2-5-04	DOCUMENT NO. SD-38002-006	SHEET NO. 1 OF 1
DRAFT WHERE APPLICABLE MUST REMAIN WITHIN DIMENSIONS		APPROVED BY GHR		DATE 2-26-04	THIS DRAWING CONTAINS INFORMATION THAT IS PROPRIETARY TO MOLEX INCORPORATED AND SHOULD NOT BE USED WITHOUT WRITTEN PERMISSION		

8 7 6 5 4 3 2 1