

Excellent Integrated System Limited

Stocking Distributor

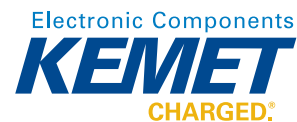
Click to view price, real time Inventory, Delivery & Lifecycle Information:

[KEMET](#)
[C324C104M5U5TA](#)

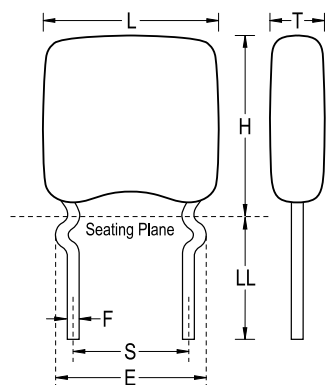
For any questions, you can email us directly:

sales@integrated-circuit.com

KEMET Part Number: C324C104M5U5TA



Capacitor, ceramic, 0.1 uF, +/-20% Tol, 50 V, Z5U, Lead Spacing=0.1"



| Dimensions (mm) | | |
|-----------------|-----------|-----------|
| Symbol | Dimension | Tolerance |
| L | 5.08 | MAX |
| H | 5.84 | MAX |
| T | 3.18 | MAX |
| S | 2.54 | NOM |
| LL | 7 | MIN |
| F | 0.51 | NOM |
| E | 3.18 | NOM |

| Packaging Specifications | |
|--------------------------|------|
| Package Kind: | Bulk |
| Package Type: | Bag |
| Package Quantity: | 500 |

| General Information | |
|--------------------------|------------------|
| Supplier: | KEMET |
| Application: | General Purpose |
| Temperature Coefficient: | Z5U |
| Body Type: | Radial Conformal |
| Lead Type: | snapincrimp |
| Termination Type: | Tin (Sn) |
| RoHS: | Yes |

| Specifications | |
|------------------------|----------|
| Capacitance: | 0.1 uF |
| Voltage: | 50 V |
| Tolerance: | +/-20% |
| Temperature Range: | +10/+85C |
| Failure Rate: | N/A |
| Dissipation Factor: | 4% |
| Insulation Resistance: | 1 GOhm |
| Dielectric Strength: | 125 V |