

## Excellent Integrated System Limited

Stocking Distributor

Click to view price, real time Inventory, Delivery & Lifecycle Information:

[JKL Components Corporation](#)

[ZDM-01](#)

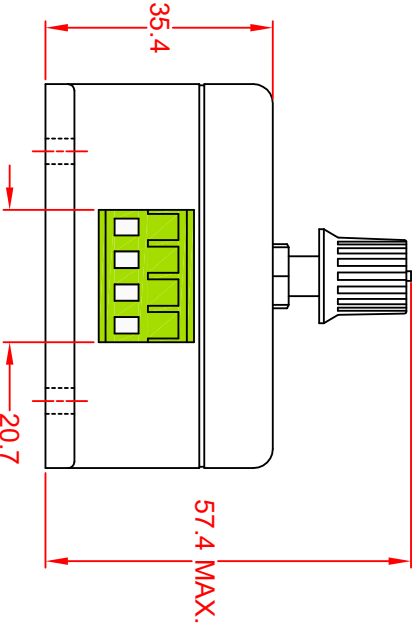
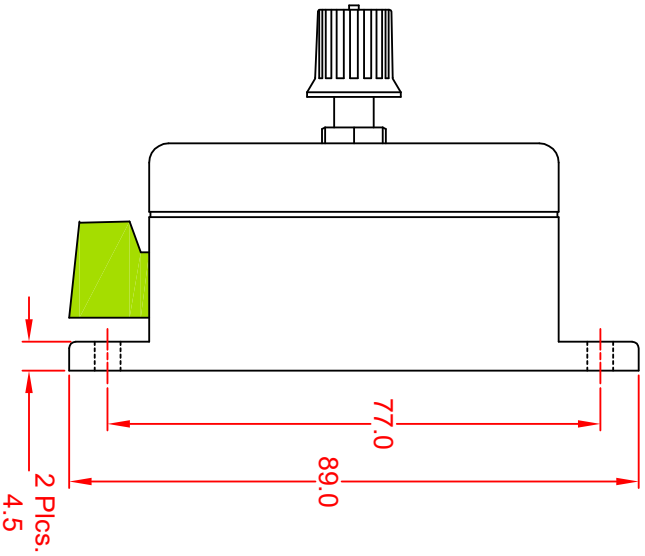
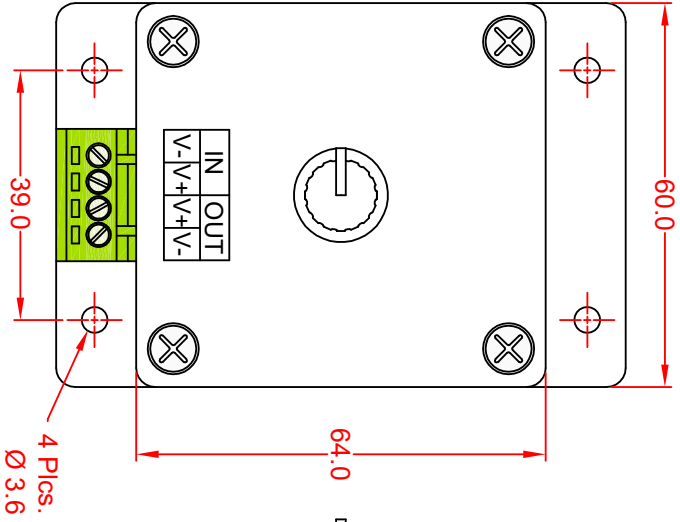
For any questions, you can email us directly:

[sales@integrated-circuit.com](mailto:sales@integrated-circuit.com)

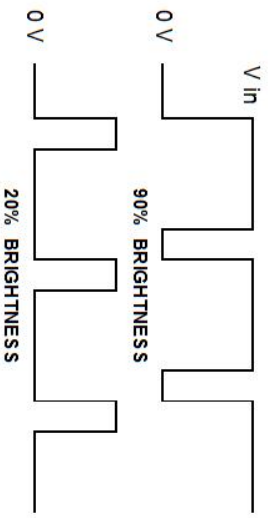
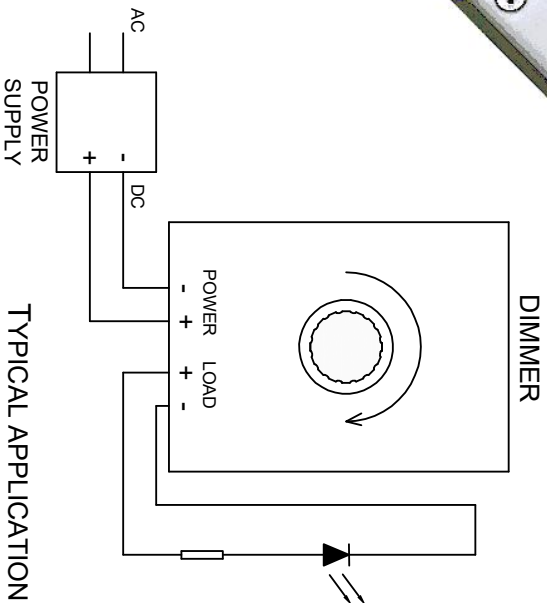
# PWM LED DIMMER

## FEATURES:

- WILL OPERATE ON 5, 6, 12 OR 24 VOLTS DC
- UP TO 8 AMPS OF AVAILABLE CURRENT DRIVE
- PULSE WIDTH MODULATED OUTPUT FOR SMOOTH TRANSITION FROM 100% TO 20% BRIGHTNESS
- OPERATION TEMPERATURE -20° C TO +60° C
- LOW POWER CONSUMPTION (LESS THAN 1 WATT)



Shaft Diameter - 6.0mm  
Rotation Angle - 120°



REV.	DESCRIPTION/NO.	DATE
	RELEASED	6/15/10
A	ADD ELECTRICAL CHART	4/14/11
B	CHANGE 24V ON ELECT. CHART	4/26/11
C	ADD FEATURES NOTE & PHOTO	6/24/13
D	ADDED DIMENSIONS	12/19/14
E	NEW PHOTO	7/19/16

JKL PART NO.: ZDM-01

METRIC	DIMENSIONS ARE IN MILLIMETERS	TITLE
 THIRD ANGLE PROJECTION	DIMENSIONS ARE IN MILLIMETERS TOLERANCE UNLESS OTHERWISE SPECIFIED 1 PL +/- REF. 2 PL +/- REF. ANGLE +/- REF.	<b>JKL COMPONENTS CORPORATION</b> PWM LED DIMMER
DRAWN BY: L. WENGSTROM APP'D BY: L.R. DATE: 7/19/16	SIZE: A FSCH NO.: 55335 DRAWING NO.: ZDM-01	SCALE: NOT TO SCALE
- CAD DRAWING - MANUAL REVISIONS NOT PERMITTED	RELEASED DATE: 6/15/10 REVISION DATE: 7/19/16	REV. NO.: E SHEET: 1 OF 1