

## Excellent Integrated System Limited

Stocking Distributor

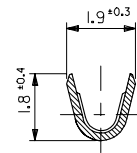
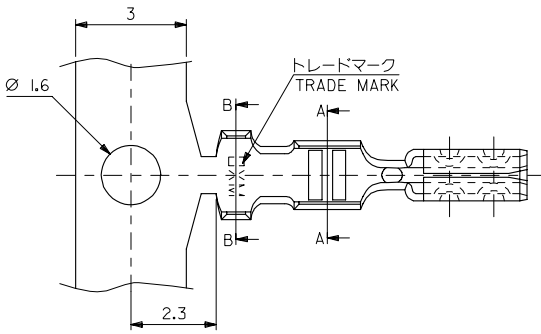
Click to view price, real time Inventory, Delivery & Lifecycle Information:

[Molex Connector Corporation](#)  
[08-70-0059](#)

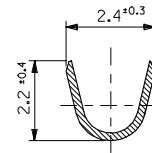
For any questions, you can email us directly:

[sales@integrated-circuit.com](mailto:sales@integrated-circuit.com)

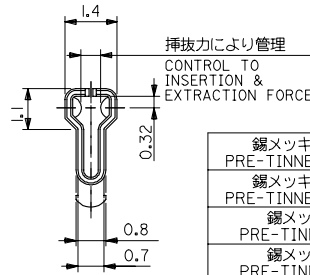
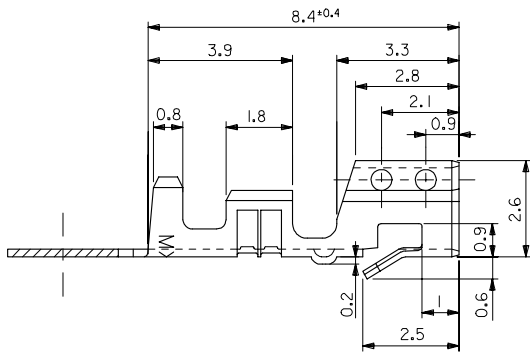
10 9 8 7 6 5 4 3 2 1



断面 A-A  
SECT. A-A



断面 B-B  
SECT. B-B



**注記 NOTES:**

I. 適合ハウジング:  
APPLICABLE HOUSING:  
5102-N,5207-N,5208-N,5209-N

錫メッキ済リン青銅 PRE-TINNED PHOS-BRO.	08-70-0059	5 I03PBTL	バラ状 LOOSE
錫メッキ済リン青銅 PRE-TINNED PHOS-BRO.	08-70-0058	5 I03PBT	連鎖状 CHAIN
錫メッキ済黄銅 PRE-TINNED BRASS	08-70-0057	5 I03TL	バラ状 LOOSE
錫メッキ済黄銅 PRE-TINNED BRASS	08-70-0056	5 I03T	連鎖状 CHAIN
材料 MATERIAL	EDP NO.	ENG. NO.	端子形状 FORM

材料 MATERIAL	表参照 (t=0.203) SEE TABLE	REVISED EC NO: J2006-347 2006/07/31 DRINKSAL T001 2006/08/04 CHIKUMIYAMA 2006/08/04 APPENIKITA 2006/08/07	DESCRIPTION	GENERAL TOLERANCES (UNLESS SPECIFIED)		DIMENSION STYLE MM ONLY	SCALE 10:1	DESIGN UNITS METRIC	THIRD ANGLE PROJECTION	
通用電線範囲 WIRE RANGE	AWG#22~28 0.33~0.08mm <sup>2</sup>			10 UNDER 10 OVER 30 UNDER 30 OVER	±0.2 ±0.25 ±0.3	DRAWN BY K.TOJO	DATE 1990/12/25	TITLE MINI SPOX CRIMP REC		
被覆外径 INS. RANGE	φ1.15 ~ φ1.9			ANGULAR	±3 °	CHECKED BY H.HIRAMOTO	DATE 1996/03/04	APPROVED BY M.FUKUSHIMA 1996/03/04		
		REVISION		DRAFT WHERE APPLICABLE MUST REMAIN WITHIN DIMENSIONS		MATERIAL NO. SEE CHART	DOCUMENT NO. SD-5103-002	MOLEX INCORPORATED		
						SHEET NO. 1 OF 1				
						THIS DRAWING CONTAINS INFORMATION THAT IS PROPRIETARY TO MOLEX INCORPORATED AND SHOULD NOT BE USED WITHOUT WRITTEN PERMISSION				