

## Excellent Integrated System Limited

Stocking Distributor

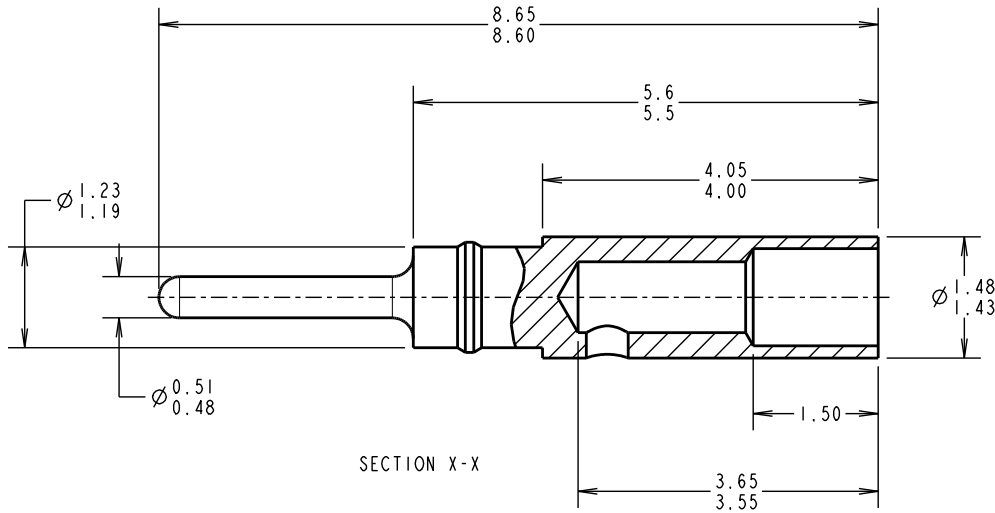
Click to view price, real time Inventory, Delivery & Lifecycle Information:

[Harwin Inc.](#)  
[M80-0400005](#)

For any questions, you can email us directly:  
[sales@integrated-circuit.com](mailto:sales@integrated-circuit.com)

# Customer Information Sheet

DRAWING No.: M80-04000XX SHEET 2 OF 2 IF IN DOUBT - ASK © NOT TO SCALE THIRD ANGLE PROJECTION ALL DIMENSIONS IN mm



**NOTES:**

- FOR USE WITH 22 AWG BS3G210 TYPE A PTFE INSULATED EQUIPMENT WIRE, MAXIMUM DIAMETER  $\phi 1.10$ mm.
- TO BE USED AS REPLACEMENT CONTACTS IN LARGE BORE MALE CRIMP DATAMATE ASSEMBLIES M80-813XXXX (LATCHED) AND M80-817XXXX (FRICTION LATCH).
- SEE INSTRUCTION SHEET IS-01 FOR CRIMPING INSTRUCTIONS.

ORDER CODE:

**M80-0400005**

FINISH: \_\_\_\_\_  
 05 - 0.25-0.30 $\mu$  GOLD

MSP	16	30.11.15	13162
NAME	ISS.	DATE	C/NOTE
APPROVED:		M. PERREN	
CHECKED:		M. PLESTED	
DRAWN:		W. J. BOURNE	
CUSTOMER REF.:			
ASSEMBLY DRG:			

**HARWIN**

www.harwin.com  
 technical@harwin.com

THIS DRAWING AND ANY INFORMATION OR DESCRIPTIVE MATTER SET OUT HEREON ARE CONFIDENTIAL AND COPYRIGHT PROPERTY OF THE HARWIN GROUP AND MUST NOT BE DISCLOSED, LOANED, COPIED OR USED FOR MANUFACTURING, TENDERING OR FOR ANY OTHER PURPOSE WITHOUT THEIR WRITTEN PERMISSION.

**TOLERANCES**  
 X. =  $\pm 1$ mm  
 X.X =  $\pm 0.50$ mm  
 X.XX =  $\pm 0.10$ mm  
 X.XXX =  $\pm 0.01$ mm  
 ANGLES =  $\pm 5^\circ$   
 UNLESS STATED

**MATERIAL:**

BRASS

**FINISH:** SEE ORDER CODE

**S/AREA:** mm<sup>2</sup>

**TITLE:**

CRIMP PLUG CONTACT  
 (LARGE BORE)

**DRAWING NUMBER:**

**M80-0400005**

SHT  
 2  
 OF 2