

Excellent Integrated System Limited

Stocking Distributor

Click to view price, real time Inventory, Delivery & Lifecycle Information:

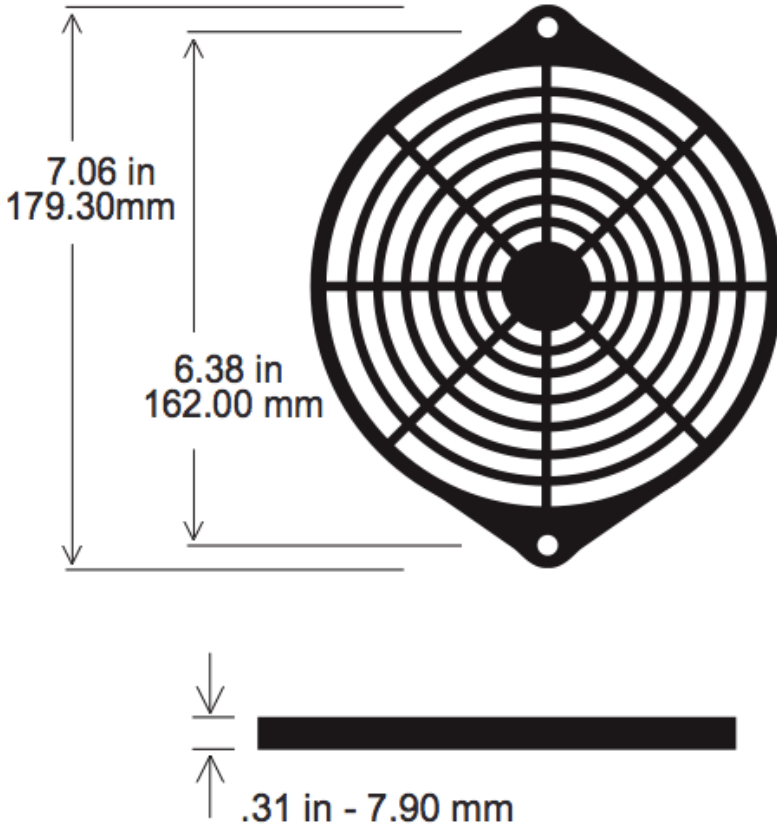
[Orion Fans](#)
[G172P](#)

For any questions, you can email us directly:
sales@integrated-circuit.com



Part No. G172P

Plastic Fan Guard
for 172mm fans



Material

Plastic - reinforced ABS
UL approved
Rating UL94V-O

Part Number	Description
G172P	172mm fan guard, plastic
G172P/PK	10-Pack G172P, Boxed