

Excellent Integrated System Limited

Stocking Distributor

Click to view price, real time Inventory, Delivery & Lifecycle Information:

[E-Switch](#)
[ACC-F03-1](#)

For any questions, you can email us directly:

sales@integrated-circuit.com

REV	A	20085	RELEASE FOR PRODUCTION	8/5/11	BGL
PCR NO			DESCRIPTION	DATE	BY

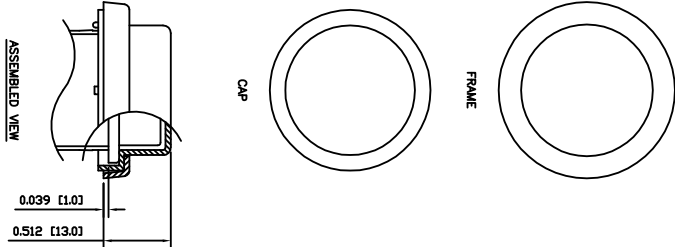
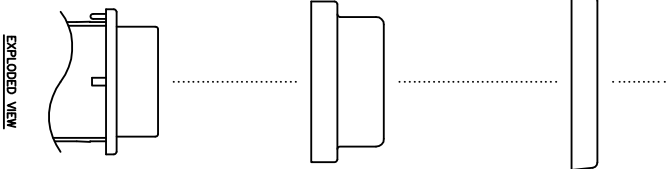
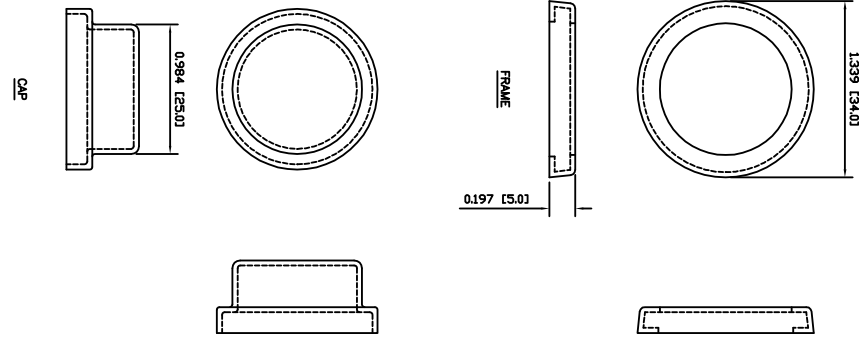
TITLE	ACC-F03-1	SCALE	N/A	DATE	8/5/11	DR	BGL	DWG	38-ACCF031	REV	A
-------	-----------	-------	-----	------	--------	----	-----	-----	------------	-----	---



COLORS
 FRAME: Black
 CAP: Clear

MATERIALS
 FRAME: Polyamide 6/6 (PA66)
 CAP: PVC

SPECIFICATIONS
 FITS: Pk1 Series



THE INFORMATION CONTAINED IN THIS DOCUMENT IS PROPRIETARY TO E-SWITCH AND IS NOT TO BE COPIED OR TRANSFERRED