

Excellent Integrated System Limited

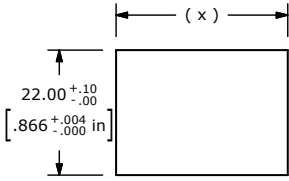
Stocking Distributor

Click to view price, real time Inventory, Delivery & Lifecycle Information:

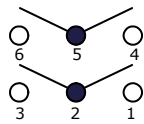
[E-Switch](#)
[RB246E112S-ACCF02-1](#)

For any questions, you can email us directly:
sales@integrated-circuit.com

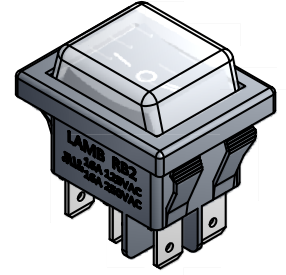
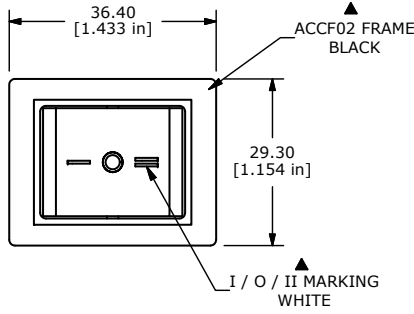
SHEET 1 OF 1



PANEL CUTOUT

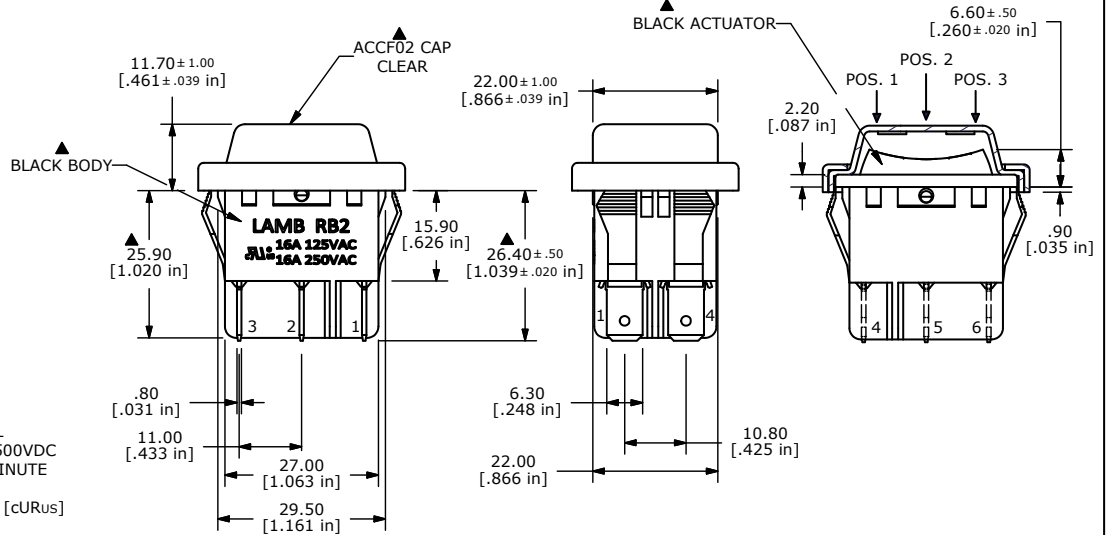


CIRCUIT DPDT



PANEL THICKNESS	(x)
0.75 - 1.25	30.2 +0.1 / - 0.0
1.25 - 2.00	30.5 +0.1 / - 0.0

▲ SWITCH FUNCTION		
POS. 1	POS. 2	POS. 3
ON	OFF	ON
2-3, 5-6	OPEN	2-1, 5-4



- NOTE:
1. DIMENSIONS IN MM [INCH]
 2. GENERAL TOLERANCE: X.X = ± 0.4
X.XX = ± 0.25
 3. TERMINAL NUMBERS FOR REF ONLY
 4. CONTACT MATERIAL: SILVER
 5. CONTACT RATINGS: 16A @ 125VAC [cURus]
16A @ 250VAC [cURus]
 6. CONTACT RESISTANCE: 20mΩ MAX. INITIAL
 7. INSULATION RESISTANCE: 100MΩ MIN. @ 500VDC
 8. DIELECTRIC STRENGTH: 1,000VAC FOR 1 MINUTE
 9. ELECTRICAL LIFE: 6,000 CYCLES [cURus]
 10. OPERATING TEMPERATURE: -20°C TO 65°C [cURus]
 11. ▲ DENOTES CRITICAL PARAMETER
 12. 2002/95/EC (ROHS) COMPLIANT



C	20365	UPDATE DESCRIPTION	12/27/11	BMA
B	20160	CHANGE TEXT ON BODY	09/20/11	BMA
REV	PCR NO	DESCRIPTION	DATE	BY

TITLE RB246E112SACCF021				
SCALE 1:1	DATE 7/22/2011	DR BGL	DWG 14-RB2S00206	REV C

THE INFORMATION CONTAINED IN THIS DOCUMENT IS PROPRIETARY TO E-SWITCH AND IS NOT TO BE COPIED OR TRANSFERRED