

Excellent Integrated System Limited

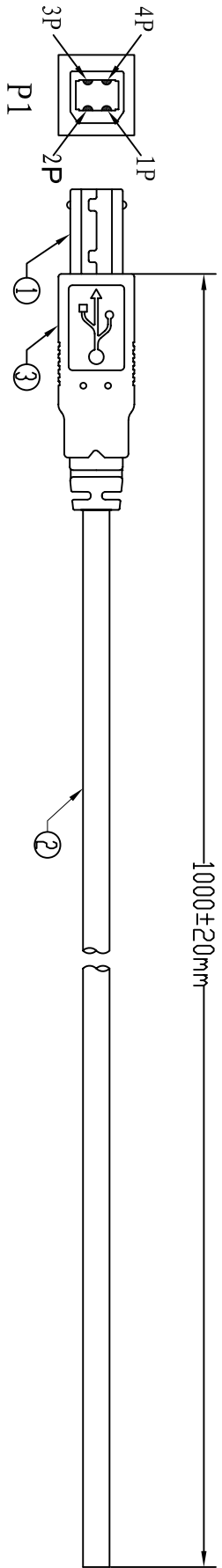
Stocking Distributor

Click to view price, real time Inventory, Delivery & Lifecycle Information:

[CNC Tech](#)
[102-1043-BL-00100](#)

For any questions, you can email us directly:

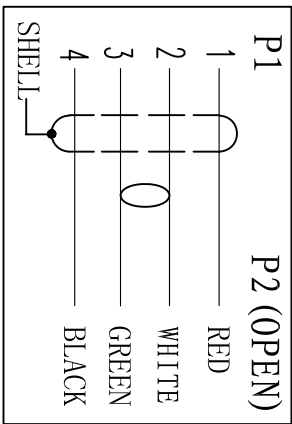
sales@integrated-circuit.com



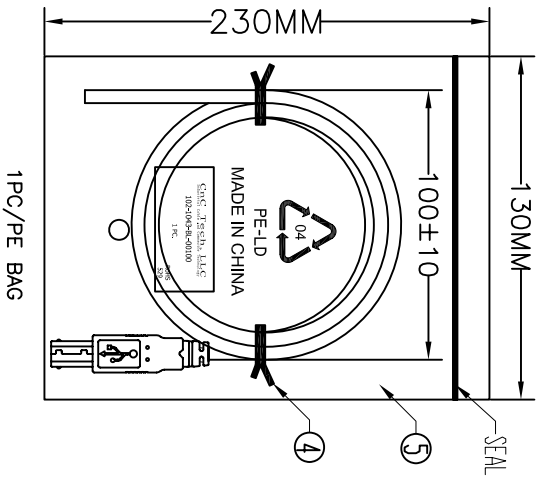
CABLE WHITE PRINT

HI-SPEED USB Revision 2.0 SHIELDED 28AWG/1P+28AWG/2C
 E189529 AWM STYLE 2725 80°C 30V VW-1 VEGA TECH

PIN ASSIGNMENT:

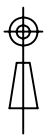


Electrical test:
 1. 100% short, open, miswire test
 2. Conduct resistance: 2 Ohm(max)
 3. Insulation resistance: 5Mohm(min)
 4. dielectric test: DC 300V



⑥	PE BAG	1/10	CLEAR SIZE:280*330*0.05mm	PRINT BLACK"MADE IN CHINA"+ "10PCS"印生产周期,有透气孔.
⑤	PE BAG	1	CLEAR SIZE:130*230*0.05mm	PRINT BLACK"MADE IN CHINA"+ "1PC"印生产周期,有透气孔.
④	TIE	2	BLACK L=100mm	
③	OUT JACKET	12g	BLACK PVC-40P (MOULD NO: WM-65)	
②	CABLE	1	BLACK USB2.0 UL2725 28#/1P+28#/2C+AB OD: 4.7mm L=1000±10	
①	CONN	2set	USB2.0 B MALE SHELL: NICKEL PIN G/F 3PCS TYPE INSULATOR COLOR: WHITE	
NO.	NAME	Q'TY	SPECIFICATION	

CNC Tech, LLC				
Industrial Cable and Connector Technology				
DRAWN	LI CHENG	DRAWING NO		
CHECKED		CUSTOMER		
APPROVAL		ITEM NO.	102-1043-BL-00100	
DECIDED		DATE	2012-11-23	
VERSIONS/EDITION	A/0	PROJECTION		



4

3

2

1

UNIT:mm

4

3

2

1

P2
OPEN