

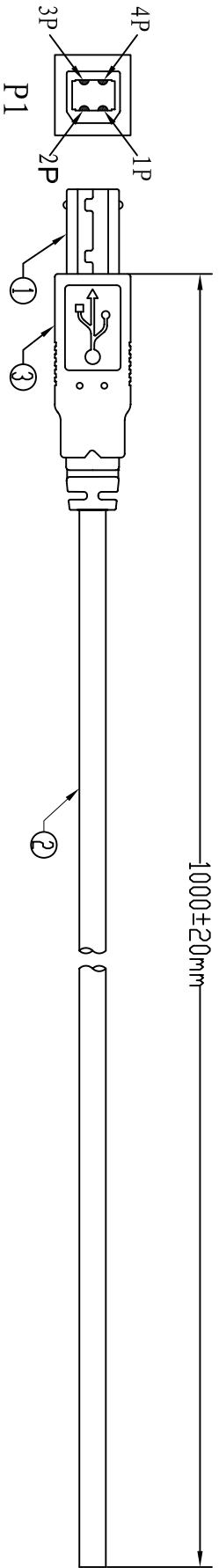
Excellent Integrated System Limited

Stocking Distributor

Click to view price, real time Inventory, Delivery & Lifecycle Information:

[CNC Tech](#)
[102-1043-BE-00100](#)

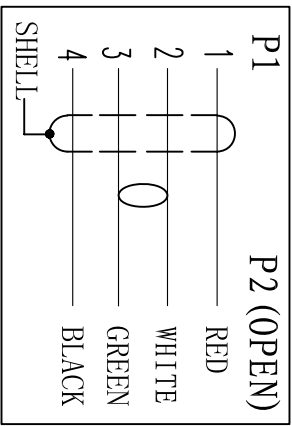
For any questions, you can email us directly:
sales@integrated-circuit.com



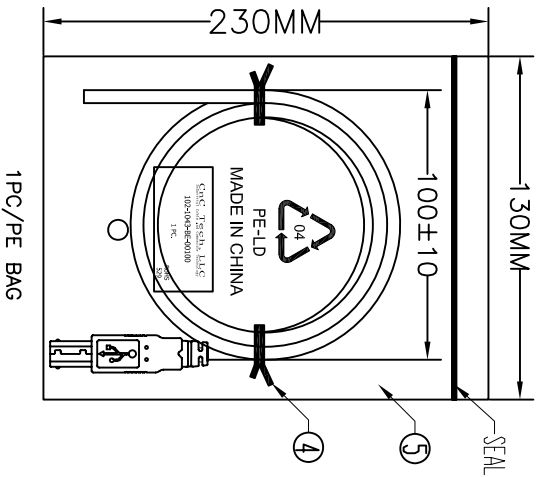
CABLE BLACK PRINT

HI-SPEED USB Revision 2.0 SHIELDED 28AWG/1P+28AWG/2C
 E189529 AWM STYLE 2725 80°C 30V VW-1 VEGA TECH

PIN ASSIGNMENT:



Electrical test:
 1. 100% short, open, miswire test
 2. Conduct resistance: 2 Ohm(max)
 3. Insulation resistance: 5Mohm(min)
 4. dielectric test: DC 300V



⑥	PE BAG	1/10	CLEAR SIZE:280*330*0.05mm	PRINT BLACK	MADE IN CHINA	"10PCS"印生产周期, 有透气孔.
⑤	PE BAG	1	CLEAR SIZE:130*230*0.05mm	PRINT BLACK	MADE IN CHINA	"1PC"印生产周期, 有透气孔.
④	TIE	2	WHITE L=100mm			
③	OUT JACKET	12g	BEIGE (TV-29#)	PVC-40P (MOULD NO:WM-65)		
②	CABLE	1	BEIGE (TV-29#)	USB2.0 UL2725 28#/1P+28#/2C+AB OD:4.7mm L=1000±10		
①	CONN	2set	USB2.0 B MALE SHELL:NICKEL PIN G/F 3PCS TYPE INSULATOR COLOR:WHITE			
NO.	NAME	Q'TY	SPECIFICATION			

CNC Tech, LLC			
Industrial Cable and Connector Technology			
DRAWN	LI CHENG	DRAWING NO	
CHECKED		CUSTOMER	
APPROVAL		ITEM NO.	102-1043-BE-00100
DECIDED		DATE	2012-11-23
VERSIONS/EDITION	A/0	PROJECTION	