

Excellent Integrated System Limited

Stocking Distributor

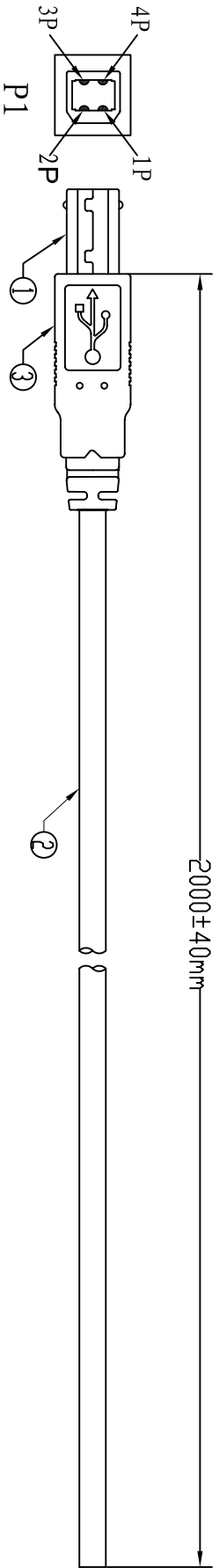
Click to view price, real time Inventory, Delivery & Lifecycle Information:

[CNC Tech](#)
[102-1043-BE-00200](#)

For any questions, you can email us directly:

sales@integrated-circuit.com

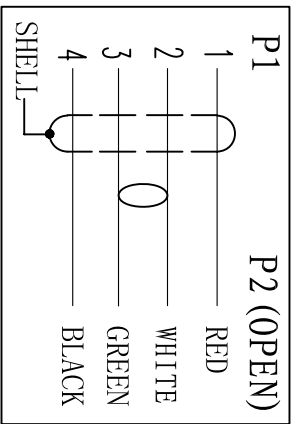
UNIT:mm



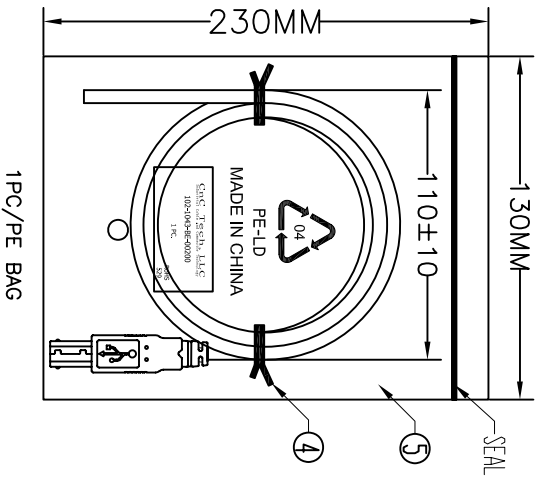
CABLE BLACK PRINT

HI-SPEED USB Revision 2.0 SHIELDED 28AWG/1P+28AWG/2C
 E189529 AWM STYLE 2725 80°C 30V VW-1 VEGA TECH

PIN ASSIGNMENT:




Electrical test:
 1. 100% short, open, miswire test
 2. Conduct resistance: 2 Ohm(max)
 3. Insulation resistance: 5Mohm(min)
 4. dielectric test: DC 300V



⑥	PE BAG	1/10	CLEAR SIZE:280*330*0.05mm	PRINT BLACK"MADE IN CHINA"+ "10PCS"印生产周期,有透气孔.
⑤	PE BAG	1	CLEAR SIZE:130*230*0.05mm	PRINT BLACK"MADE IN CHINA"+ "1PC"印生产周期,有透气孔.
④	TIE	2	WHITE L=100mm	
③	OUT JACKET	12g	BEIGE (TV-29#) PVC-40P (MOULD NO:WM-65)	
②	CABLE	1	BEIGE (TV-29#) USB2.0 UL2725 28#/1P+28#/2C+AB OD:4.7mm L=2000±20	
①	CONN	2set	USB2.0 B MALE SHELL:NICKEL PIN G/F 3PCS TYPE INSULATOR COLOR:WHITE	
NO.	NAME	Q'TY	SPECIFICATION	

CNC Tech, LLC
 Industrial Cable and Connector Technology

DRAWN	LI CHENG	DRAWING NO	
CHECKED		CUSTOMER	
APPROVAL		ITEM NO.	102-1043-BE-002
DECIDED		DATE	2012-11-23
VERSIONS/EDITION	A/0	PROJECTION	

4

3

2

1