

Excellent Integrated System Limited

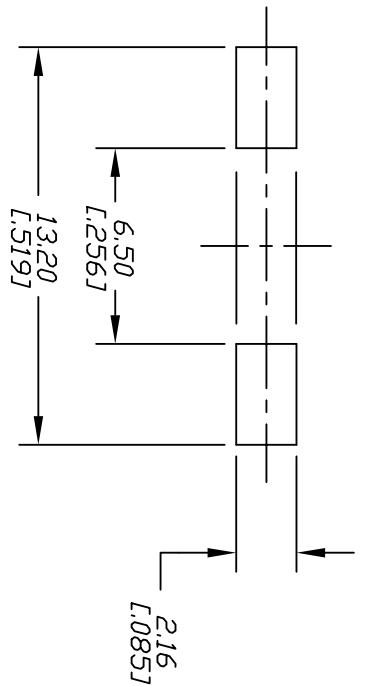
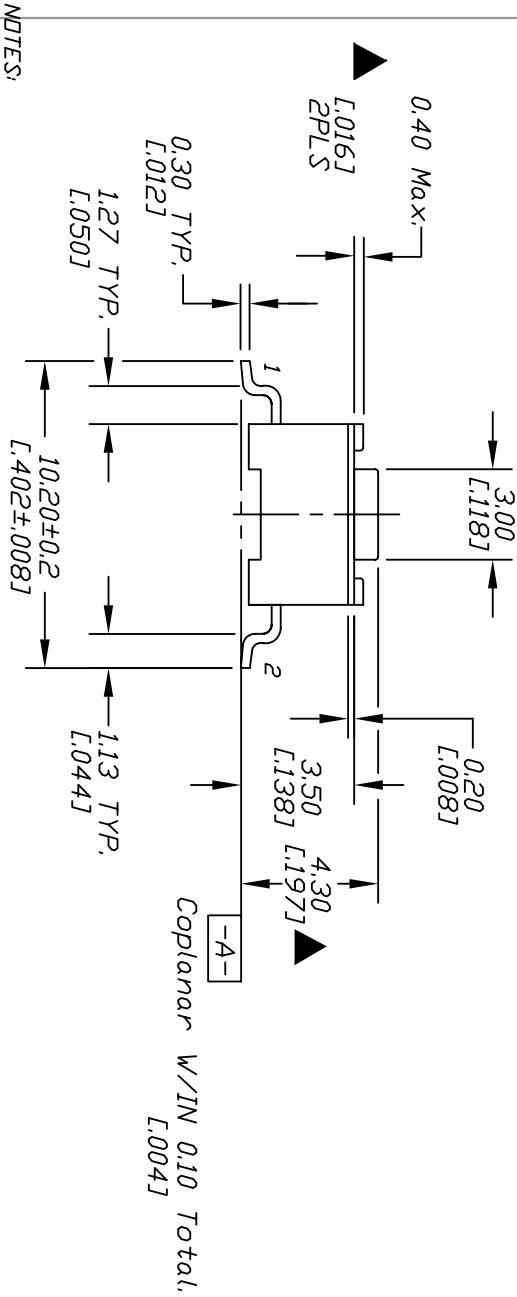
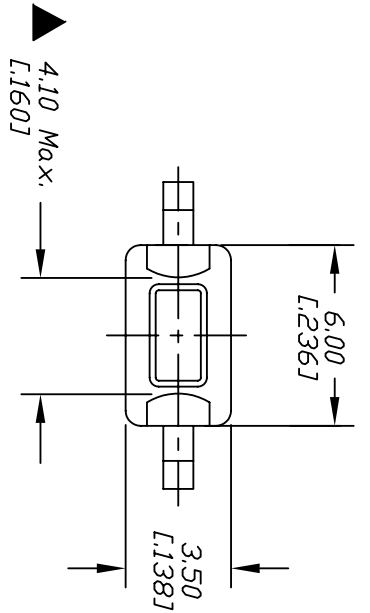
Stocking Distributor

Click to view price, real time Inventory, Delivery & Lifecycle Information:

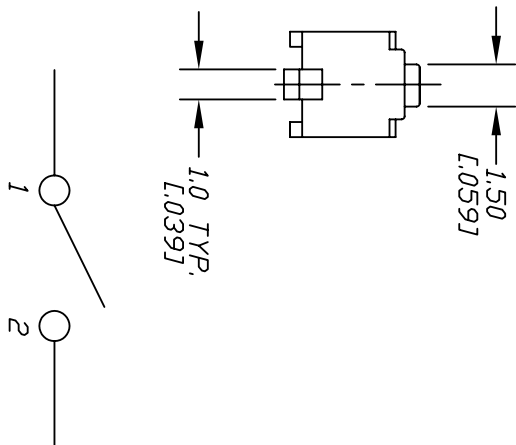
[E-Switch](#)
[TL3302AF180QG](#)

For any questions, you can email us directly:

sales@integrated-circuit.com



RECOMMEND P.C.B. PADS



CIRCUIT: SPST
CONTACT CONFIGURATION

- NOTES:
1. ALL DIMENSIONS IN MM (IN)
 2. TERM. NOS. FOR REF ONLY
 3. CONTACT RESISTANCE: 100m Ohms Max.
 4. MAT'L. CASE: PPS-RYTIDN-R-4
STEM: NYLON 4/6
 5. DESTINATE MAJOR DIMENSIONS
 6. PACKAGE: TAPE AND REEL, 1800 COUNT
 7. CONTACT MATERIAL: SILVER
 8. OPERATING FORCE: 180±50gf
 9. RATING: DC 12V @ 50ma
 10. 2002/95/EC (ROHS) COMPLIANT

E-SWITCH®

TL3302AF180QG

E	UPDATED NOTES	11/10/06	TN
D	REVISED & REDRAWN		
REV.	DESCRIPTION	DATE	CHKD

TOLERANCES	
±0.4	±0.25
0.0	0.00

TITLE	SCALE	DATE	DR	DWG	REV
TL3302AF180QG	4:1	11/10/2006	TN	P010520	E

THE INFORMATION CONTAINED IN THIS DOCUMENT IS PROPRIETARY TO E-SWITCH AND IS NOT TO BE COPIED OR TRANSFERRED