

Excellent Integrated System Limited

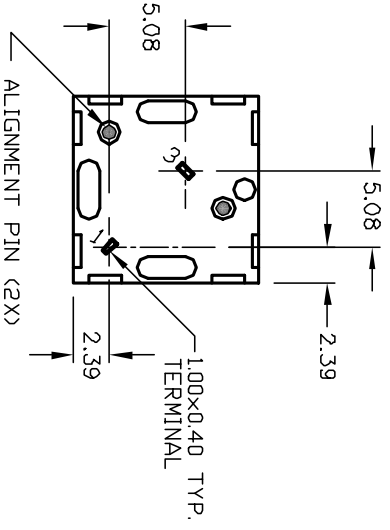
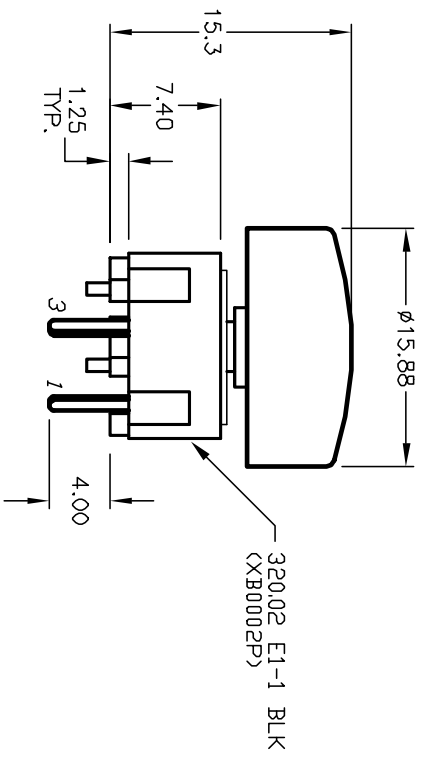
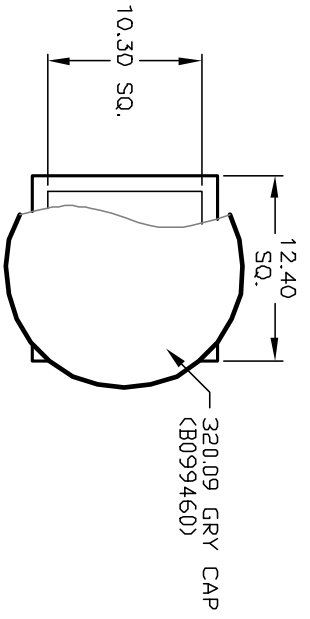
Stocking Distributor

Click to view price, real time Inventory, Delivery & Lifecycle Information:

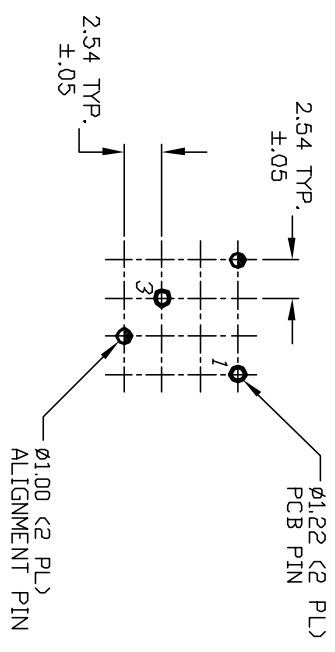
[E-Switch](#)
[320.02E11.09GRY](#)

For any questions, you can email us directly:

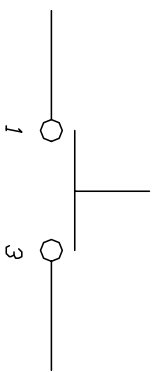
sales@integrated-circuit.com



TOP VIEW - SHOW ORIENTATION OF LEGENDS
 IN RESPECT TO THE PCB PIN TERMINALS.



RECOMMENDED P.C.B. LAYOUT



CIRCUIT: SPST

- NOTES:
1. ALL DIMENSIONS IN MM
 2. GENERAL TOLERANCE: X.X=±0.4
X.XX=±0.25
 3. TERMINAL NO'S FOR REFERENCE ONLY.
 4. RATING: 25mA, @50VDC
 5. OPERATING FORCE: 120gf
 6. TRAVEL TO MAKE: 0.7mm

E-SWITCH®

REV. A	12237	RELEASED FOR PRODUCTION	6/13/02	CJB
ECN No.		DESCRIPTION	DATE	CHKD
THE INFORMATION CONTAINED IN THIS DOCUMENT IS PROPRIETARY TO E-SWITCH AND IS NOT TO BE COPIED OR TRANSMITTED				

TITLE	320.02 E1-1 (W/.09 GRY)			
SCALE	2:1	DATE	6/13/02	DR
				CJB
				DWG
				XB0877P
REV	A			