

Excellent Integrated System Limited

Stocking Distributor

Click to view price, real time Inventory, Delivery & Lifecycle Information:

[Panasonic Electronic Components](#)
[LN242RP](#)

For any questions, you can email us directly:

sales@integrated-circuit.com

角形

Square Type

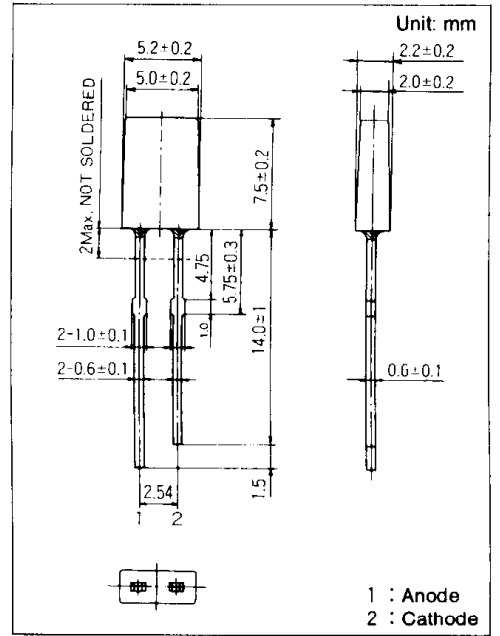
□ 5.0 mm × 2.0 mm Series

Type No. Lighting Color
 LN242RPRed
 LN342GPGreen
 LN442YPAmber
 LN842RPOrange

絶対最大定格 Absolute Maximum Ratings (Ta=25 °C)

Lighting Color	P _D (mW)	I _F (mA)	I _{FP} (mA)*	V _R (V)	Topr (°C)	Tstg (°C)
Red	70	25	150	4	-25~+85	-30~+100
Green	90	30	150	4	-25~+85	-30~+100
Amber	90	30	150	4	-25~+85	-30~+100
Orange	90	30	150	3	-25~+85	-30~+100

* I_{FP}の条件は、duty 10%、Pulse width 1 msec. The condition of I_{FP} is duty 10%, Pulse width 1 msec



電気的光学的特性 Electro-Optical Characteristics (Ta=25 °C)

Type No.	Lighting Color	Lens Color	I ₀			V _F		λ _p	Δλ	I _F	I _R	
			Typ.	Min.	I _F	Typ.	Max.				Max.	V _R
LN242RP	Red	Red Diffused	0.4	0.15	15	2.2	2.8	700	100	20	5	4
LN342GP	Green	Green Diffused	1.5	0.55	20	2.2	2.8	565	30	20	10	4
LN442YP	Amber	Amber Diffused	2.0	0.75	20	2.2	2.8	590	30	20	10	4
LN842RP	Orange	Red Diffused	2.5	1.00	20	2.1	2.8	630	40	20	10	3
Unit	—	—	mcd	mcd	mA	V	V	nm	nm	mA	μA	V

