



## **Excellent Integrated System Limited**

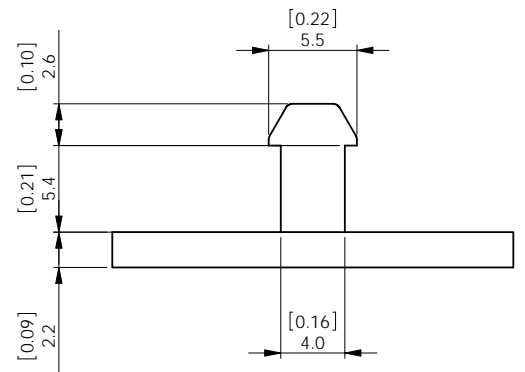
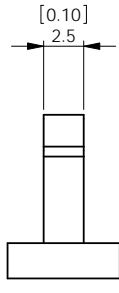
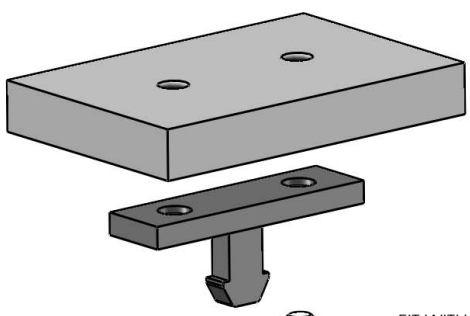
Stocking Distributor

Click to view price, real time Inventory, Delivery & Lifecycle Information:

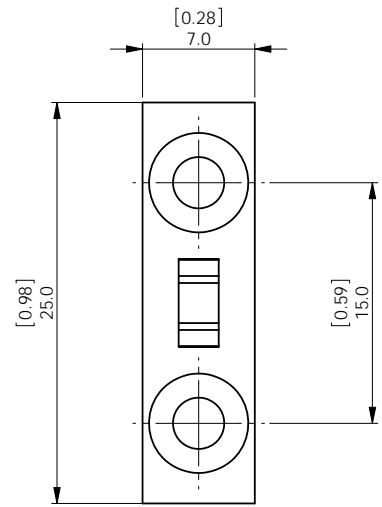
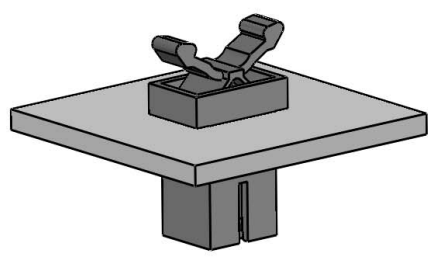
[Essentra Components \(formerly Richco, Inc.\)](#)  
[DLS-2](#)

For any questions, you can email us directly:  
[sales@integrated-circuit.com](mailto:sales@integrated-circuit.com)

REV	MODIFICATION	DATE	DRN
02	ECN2008-024	04/02/08	TC



FIT WITH #3 (M3) C/SK SCREWS  
(NOT SUPPLIED)



FOR USE WITH RICHCO  
DOOR LATCH PART No 'DL-1'

INFORMATION CONTAINED IN THIS DOCUMENT IS CONFIDENTIAL TO RICHCO INTERNATIONAL Co. Ltd. AND MAY NOT BE DISCLOSED OR REPRODUCED IN WHOLE OR PART WITHOUT THEIR WRITTEN CONSENT.

**Richco**

ALL DIMENSIONS IN mm & [INCH]  
 GENERAL TOLERANCES ±0.25 [0.010]  
 UNLESS OTHERWISE STATED  
 1 DECIMAL PLACE ±0.25 [0.010]  
 2 DECIMAL PLACES ± 0.10 [0.004]  
 ANGULAR ±1°

THIRD ANGLE

MATERIAL: ACETAL ( RMS 14)		COLOUR: BLACK	
DESCRIPTION: DOOR LATCH STRIKER		PART No: DLS-2	
DRG No: 07-058	NPR No: 2007-262	Mass:(g) 0.6	SHEET SIZE A4
DRN SF	DATE 26/06/07	CHKD OW	DATE 26/06/07
SCALE 4:1	SHEET No. 1 OF 1		

FORM No. 0145/02