



Excellent Integrated System Limited

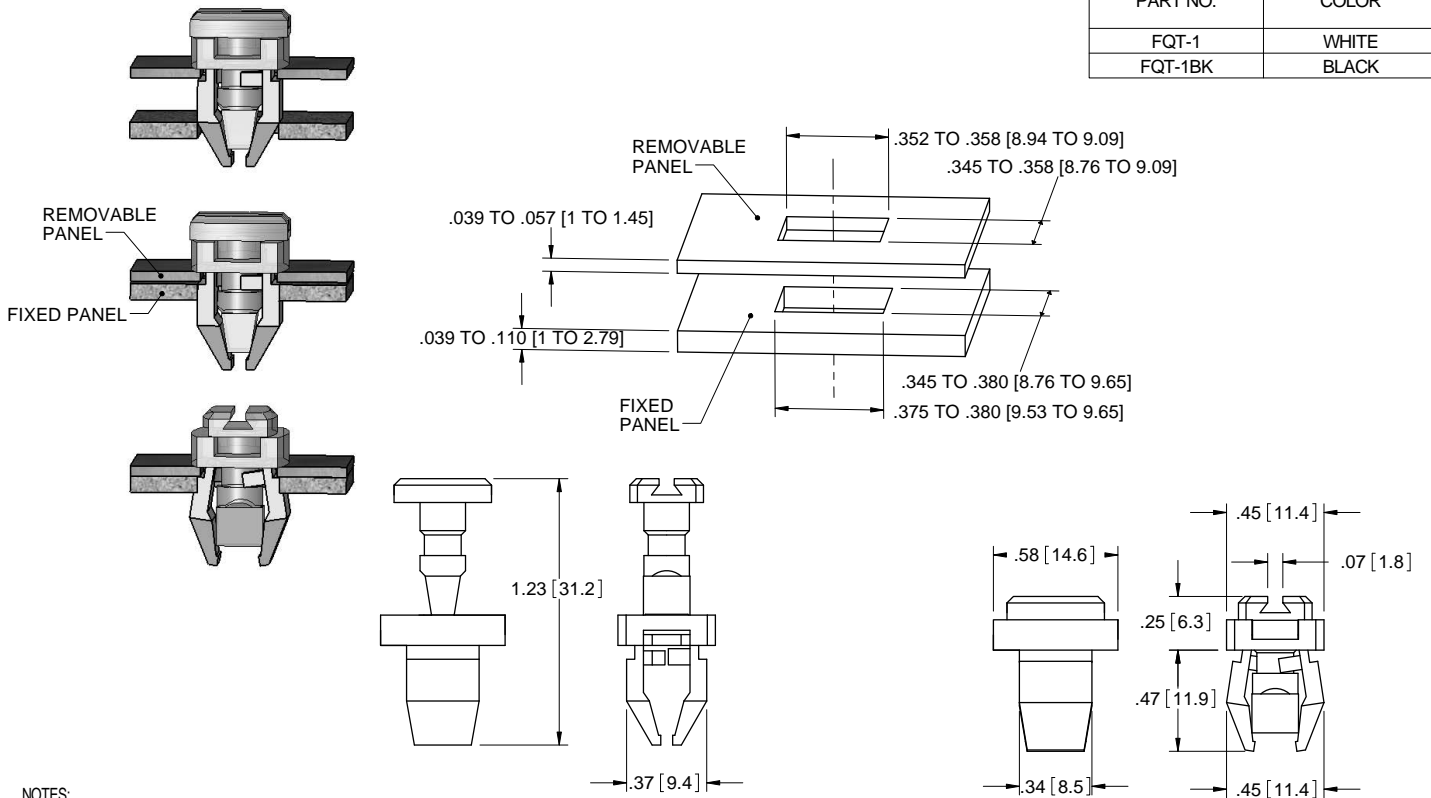
Stocking Distributor

Click to view price, real time Inventory, Delivery & Lifecycle Information:

[Essentra Components \(formerly Richco, Inc.\)](#)
[FQT-1BK](#)

For any questions, you can email us directly:
sales@integrated-circuit.com

PART NO.	COLOR
FQT-1	WHITE
FQT-1BK	BLACK



NOTES:
 1. MATERIAL: ACETAL UL 94 HB (RMS-14)
 2. ALTERNATE UNITS FOR REFERENCE ONLY.

TITLE: QUARTER TURN FASTENER						DWG IN IN [MM]	
CREATED USING SOLIDWORKS	FILE #: FQT	DWN: D.J.Z.	APP: D.J.Z.	FINAL			
TOLERANCES UNLESS NOTED .XX±.010 .XXX±.005 FRACTION±1/64 ANG±1°	SHEET: 1 OF 1	SHEET SIZE: A	DT: 05/01/2006	CHKD: SK	PART #		PRINT TYPE
RE: RICHCO INC.	RICHCO, INC.		ENG@RICHCO-INC.COM		SEE TABLE		CA
			(773) 539-4060				

REV.	DESCRIPTION	ENGR.	DATE
C	SEE CO 200205 FOR CHANGES	SK	06/20/08
B	SEE ECN #1349 FOR CHANGES	SK	08/01/07
A	RELEASED FOR PRODUCTION	SK	06/29/07