



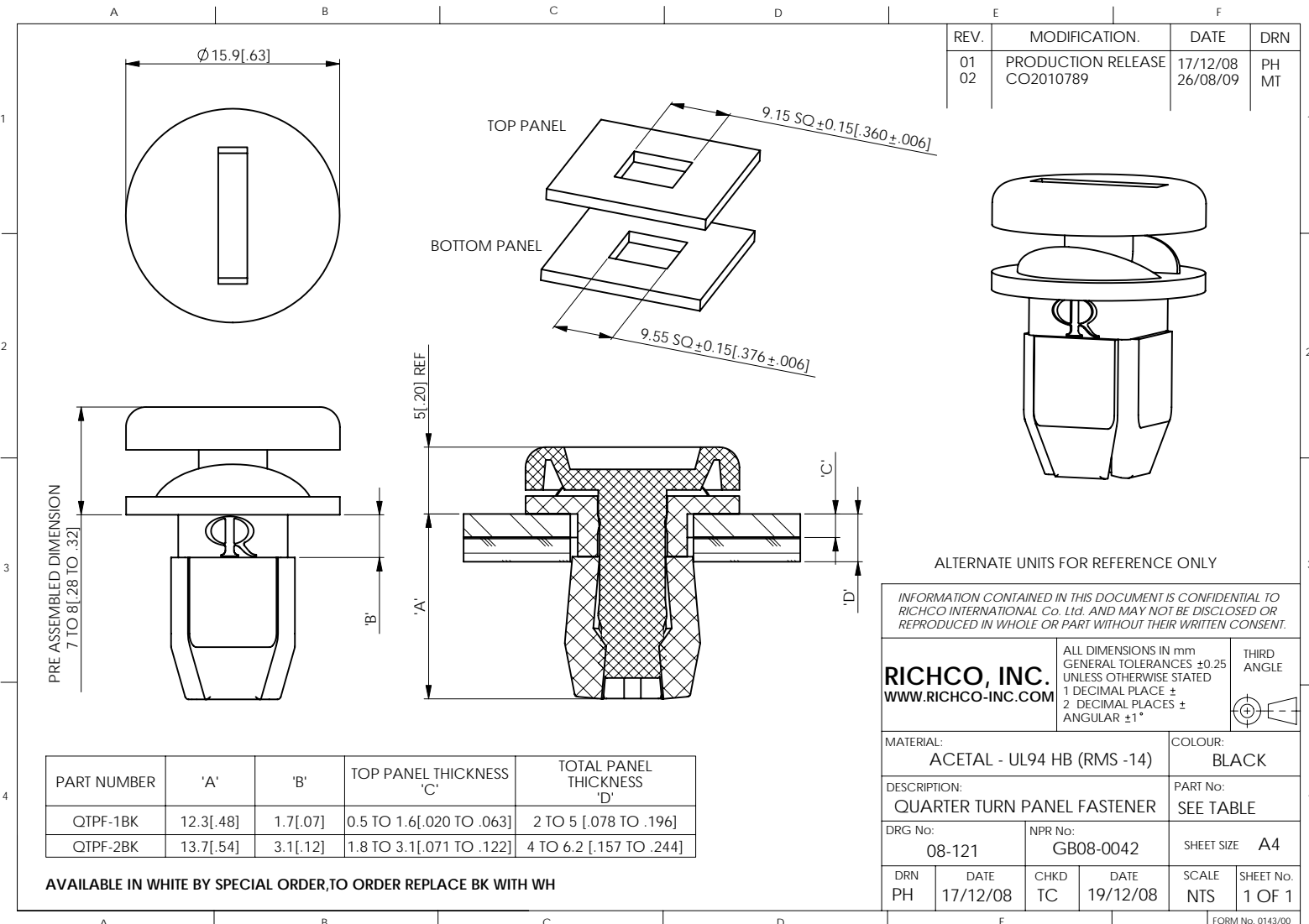
Excellent Integrated System Limited

Stocking Distributor

Click to view price, real time Inventory, Delivery & Lifecycle Information:

[Essentra Components \(formerly Richco, Inc.\)](#)
[QTPF-1BK](#)

For any questions, you can email us directly:
sales@integrated-circuit.com



REV.	MODIFICATION.	DATE	DRN
01	PRODUCTION RELEASE	17/12/08	PH
02	CO2010789	26/08/09	MT

ALTERNATE UNITS FOR REFERENCE ONLY

INFORMATION CONTAINED IN THIS DOCUMENT IS CONFIDENTIAL TO RICHCO INTERNATIONAL Co. Ltd. AND MAY NOT BE DISCLOSED OR REPRODUCED IN WHOLE OR PART WITHOUT THEIR WRITTEN CONSENT.

RICHCO, INC. WWW.RICHCO-INC.COM	ALL DIMENSIONS IN mm GENERAL TOLERANCES ±0.25 UNLESS OTHERWISE STATED 1 DECIMAL PLACE ± 2 DECIMAL PLACES ± ANGULAR ±1°	THIRD ANGLE

PART NUMBER	'A'	'B'	TOP PANEL THICKNESS 'C'	TOTAL PANEL THICKNESS 'D'
QTPF-1BK	12.3[.48]	1.7[.07]	0.5 TO 1.6[.020 TO .063]	2 TO 5 [.078 TO .196]
QTPF-2BK	13.7[.54]	3.1[.12]	1.8 TO 3.1[.071 TO .122]	4 TO 6.2 [.157 TO .244]

AVAILABLE IN WHITE BY SPECIAL ORDER, TO ORDER REPLACE BK WITH WH

MATERIAL:		ACETAL - UL94 HB (RMS -14)		COLOUR:		BLACK	
DESCRIPTION:				QUARTER TURN PANEL FASTENER			
DRG No:		08-121		NPR No:		GB08-0042	
PART No:		SEE TABLE					
SHEET SIZE		A4					
DRN	DATE	CHKD	DATE	SCALE	SHEET No.		
PH	17/12/08	TC	19/12/08	NTS	1 OF 1		